

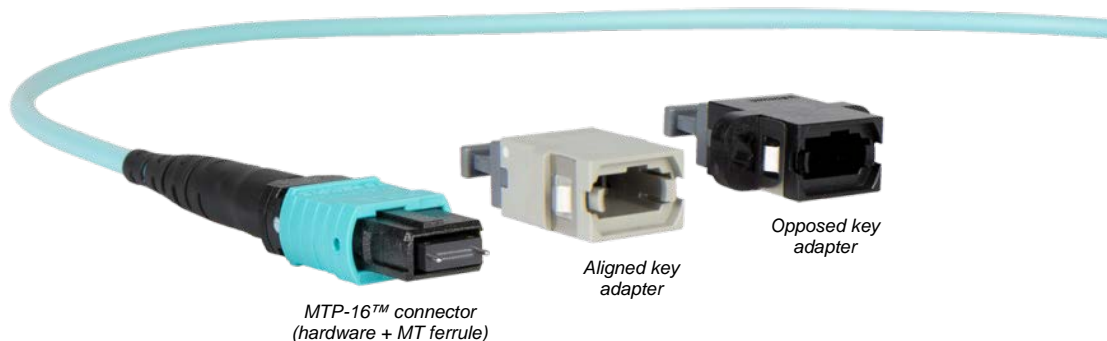
FOR IMMEDIATE RELEASE

## New MTP-16™ Multi-fiber Optical Connector Supports Next Generation 400G Applications

**HICKORY, NC – September 25, 2015** – US Conec, a global leader in the design and development of high-density optical interconnects, will unveil the new MTP-16™ multi-fiber optical connector at the 2015 European Conference on Optical Communication (ECOC) in Valencia, Spain. The MTP-16™ connector offers the highest density physical contact for multi-fiber connector format on the market today.

“Comprised of the proven US Conec MT Elite® ferrule technology, the MTP-16™ connector hardware is ideal for structured cabling applications supporting parallel or duplex links that require low insertion loss,” stated Ms. Shelly Buchter, Product Manager at US Conec. She added that, “using the MTP-16™ connectors for high density trunk cables efficiently aggregate 8 lane QSFP+/QSFP28 links while directly coupling into emerging 16x25G active devices.”

The MTP-16™ connector family encompasses the 16 fiber MT ferrule, connector hardware, and bulkhead adapters. Utilizing the same external footprint as the existing traditional 12 fiber MT ferrule, the 16 fiber MT Elite® is available in one or two rows of 16 fibers and leverages all the proven features and technology of US Conec’s traditional PPS MT ferrules. The connector hardware offers a unique keying feature as opposed to the centered keying feature on the traditional MPO hardware. This new keying design, currently being standardized by TIA 604-18 (FOCIS 18) and IEC (61754-7-3), ensures proper mating of the MTP-16™ connector without inadvertently mating the 16 fiber connector hardware with standard MPO compliant hardware. The MTP-16™ adapters are available in full or reduced flange mounting and opposed or aligned key orientation.



For more information, please contact a US Conec representative at +1 (828) 323-8883 or visit online <http://www.usconec.com>.

### About US Conec

US Conec is a global leader in the design and development of high-density optical interconnects. With over 20 years of innovative experience, the company provides industry leading components for data center structured cabling, public networks, circuit board interconnect, industrial and military markets worldwide. Key product developments include MT Ferrules, MTP® brand MPO connectors, MXC™ connectors, PRIZM® LightTurn® and MT lensed ferrule technology, fiber optic cleaning solutions, termination equipment, and high precision optical packaging components. US Conec is headquartered in Hickory, North Carolina, and is an equity venture of three leading communications technology companies—Corning Optical Communications, Fujikura, and NTT-AT.

### Press Contact:

Ms. Youa Yang-Xiong  
Marketing Communications  
(828) 624-6417  
[youaxiong@usconec.com](mailto:youaxiong@usconec.com)

### Technical Product Contact:

Ms. Shelly Buchter  
Product Manager  
(828) 624-6427  
[shellybuchter@usconec.com](mailto:shellybuchter@usconec.com)

MTP®, MT Elite®, MTP-16™, PRIZM® LightTurn®, and MXC™ are trademarks or registered trademarks of US Conec Ltd.

###