



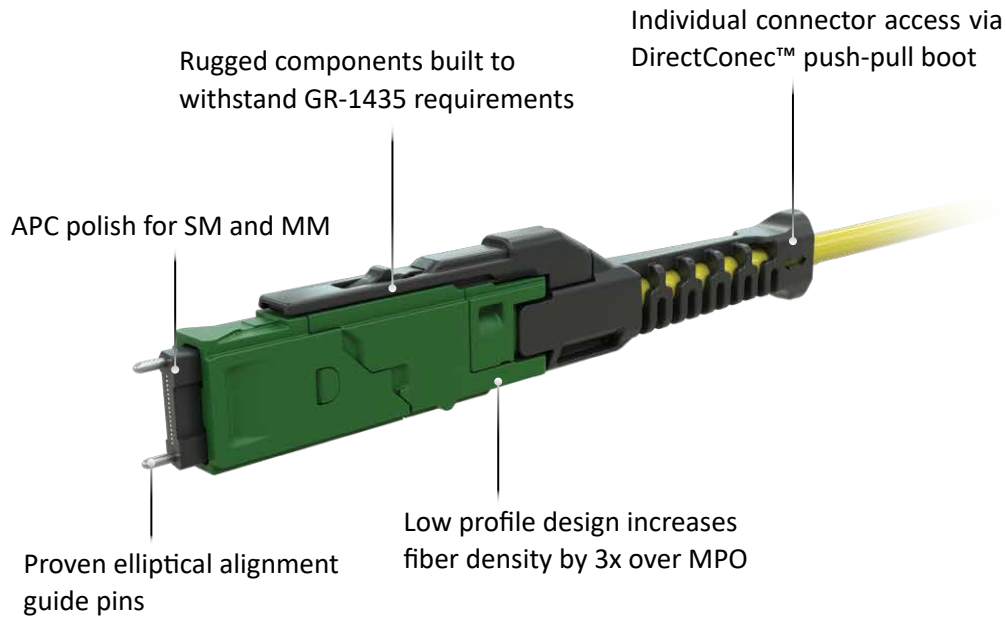
MMC Connector

US Conec's MMC connector is a Very Small Form Factor (VSFF) multi-fiber optical connector designed for termination of single-mode and multimode fiber cables up to 2.5mm in diameter. The MMC connector employs novel TMT ferrule technology harmonized with the MT or MT-16 alignment structure. Individual connector access in the most extremely dense connector environments is easily accomplished using revolutionary DirectConec™ push-pull boot technology.

Features:

- 3x cabling port density over the MPO format
- DirectConec™ push-pull boot for effortless connector insertion and extraction
- Utilizes proven MT or MT-16 mechanical and fiber alignment structures
- Compatible with standard 250 micron OD and pitch optical fibers
- Low-loss, IEC Grade B insertion loss performance (0.25dB 97% random intermate)
- APC for both SM and MM applications
- Available in 1x16 and 2x12 variants
- Tested to Telcordia GR-1435
- Cables up to 2.5mm OD
- Standard cabling industry infrastructure support including IBC cleaners, polishers, interferometers, and optical testing equipment

MMC Connector Solutions



MMC Adapter Options

US Conec offers 2-port and 4-port adapters connecting MMC connectors to MMC connectors or MMC Jr. connectors. The 2-port adapters are designed to fit through the same panel cutout as MPO (SC cutout) adapters, creating an instant doubling of fiber density by simply removing the simplex MPO adapters and installing the MMC 2-port adapters. The 4-port adapters will fit into the same panel cutout as similar port count MDC adapters.

All adapters can be ordered with or without dust plugs pre-installed in the adapters. For applications where certain adapter ports are not needed, US Conec offers optional port covers that can be installed into those ports.



MMC 4-Port Adapter
MMC/MMC



MMC 4-Port Adapter
MMC/MMC Jr.

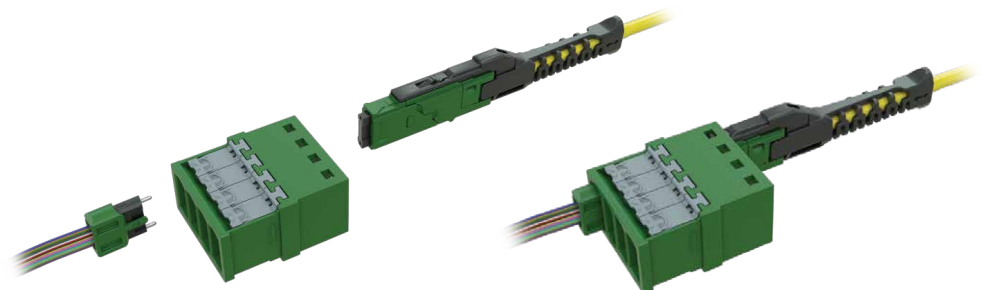


MMC 2-Port Adapter
MMC/MMC

MMC Jr. and Adapter/Receptacle

The smaller footprint of the MMC Jr. connector maintains a robust connection while minimizing valuable space consumption on the boards or behind module/panel walls.

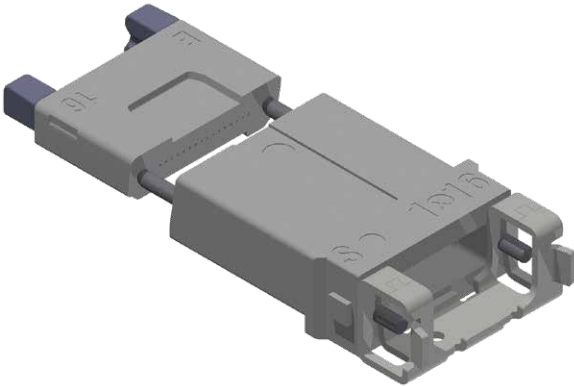
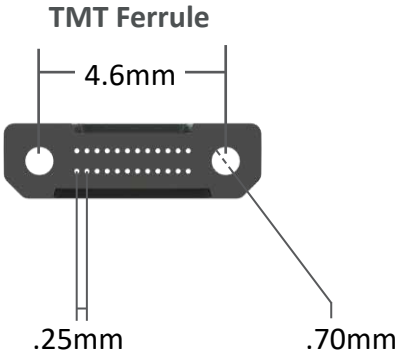
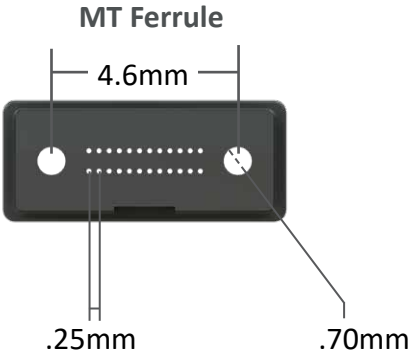
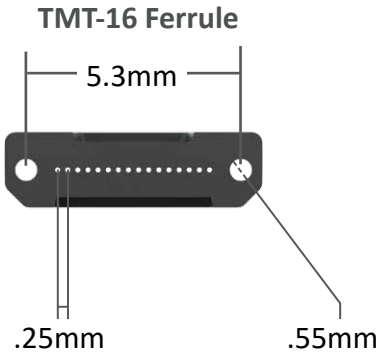
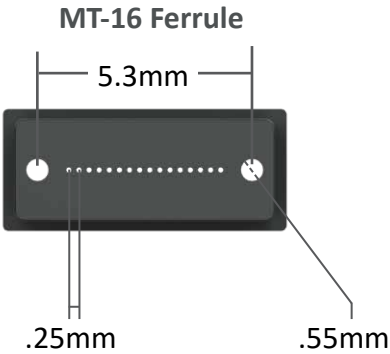
- Optimized for:
 - Transceivers
 - On-board optics
 - Module applications



TMT Ferrule Technology

The TMT ferrule format is based on the proven alignment structure of MT and MT-16 ferrules used in MTP® and MTP®-16 applications. Engineered for durability, the novel shoulder features ensure precision polishing combined with the mechanical integrity needed for repeated insertion and extraction cycles. In addition to MMC applications, TMT ferrules are ideal for on-board fiber management, as well as incorporation into transceivers and hardened connector embodiments.

- 250 micron pitch
- Compatible with 250, 200, and 165 micron fibers
- Intermateable with corresponding MT and MT-16 formats
- Low insertion loss for SM APC and MM APC applications



MMC Connector Solutions

Ever-Increasing MMC Ecosystem

US Conec partners with industry leading vendors to develop components and equipment necessary to enhance the installer and end user experience.

- IBC cleaning tools
- Polishing equipment
- Test and inspection equipment
- Interferometry
- Aggregation solutions



New Applications Require a Reduced Format Connector

Next generation architectures are driving the need for optical connectivity solutions which cannot be met with the status quo. 51.2T switching for 500m reaches now requires fiber counts exceeding density capacities of the MPO format. MMC applications include:

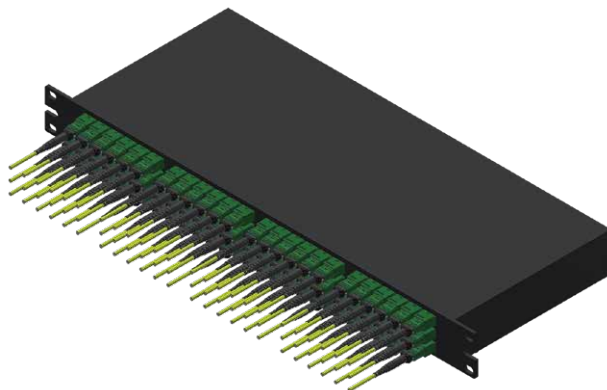
- Co-packaged optics and on-board connectivity
- High bandwidth transceivers
- Maximum density, low-loss, pre-terminated cabling infrastructure

MPO



1x16

2x12



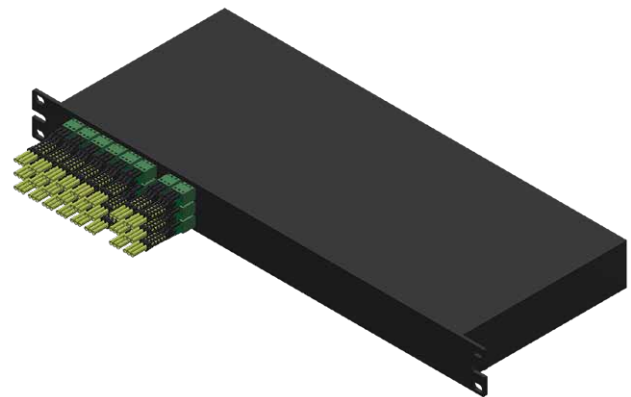
1,152 fibers in 1RU using 16F MPO connectors
1,728 fibers in 1RU using 24F MPO connectors

MMC



1x16

2x12



1,152 fibers in 1RU using 16F MMC connectors
1,728 fibers in 1RU using 24F MMC connectors

MTP®, MTP® PRO, MT Elite®, MTP Elite®, MTP®-16, MXC®, PRIZM®, LightTurn®, PRIZM® MT, ELiMENT®, IBC™, Eliminator™, DirectConec™ and Fast-Track™ are trademarks or registered trademarks of US Conec Ltd.