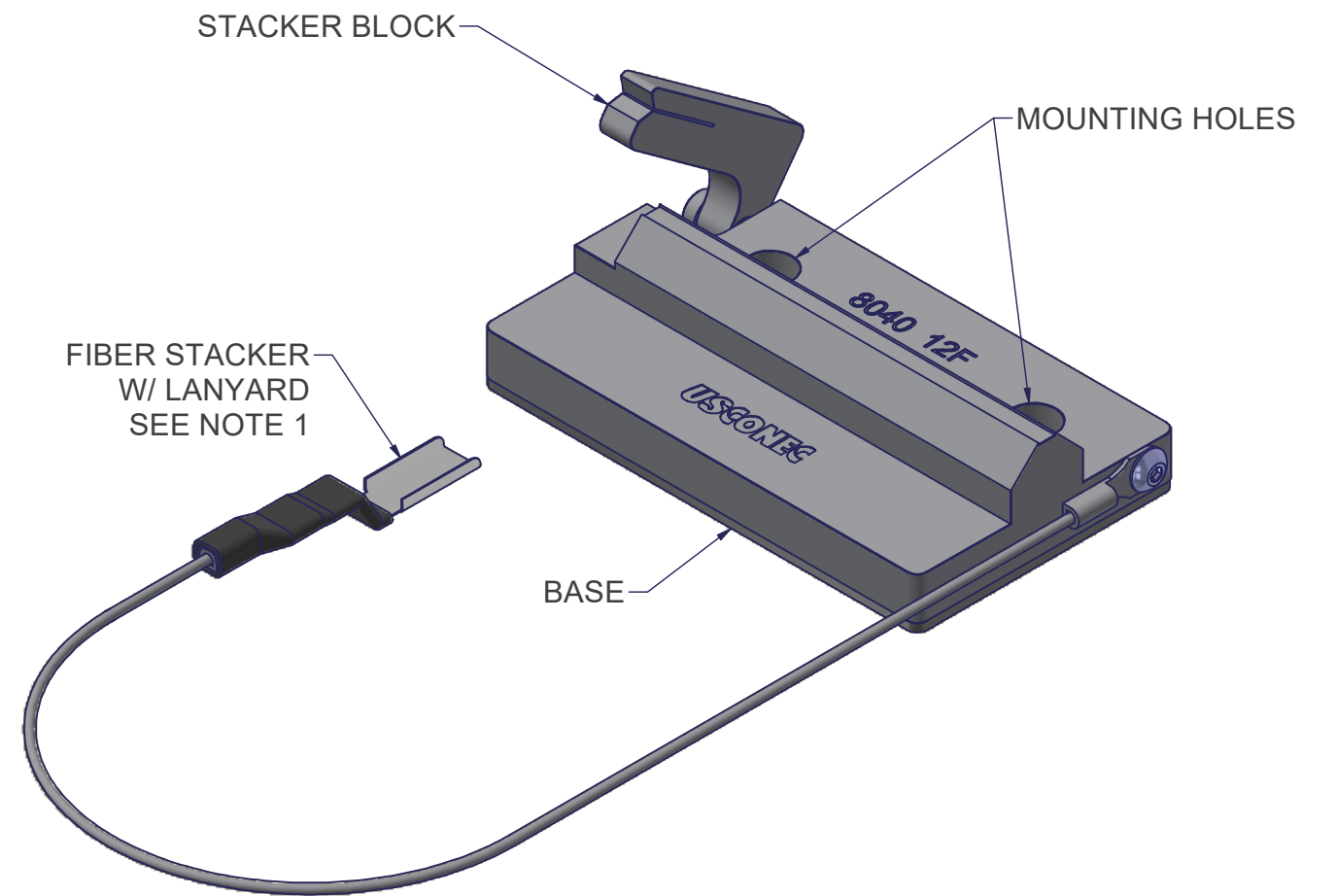
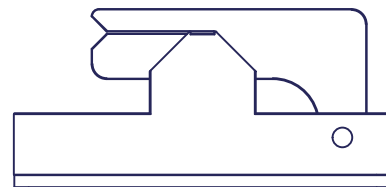
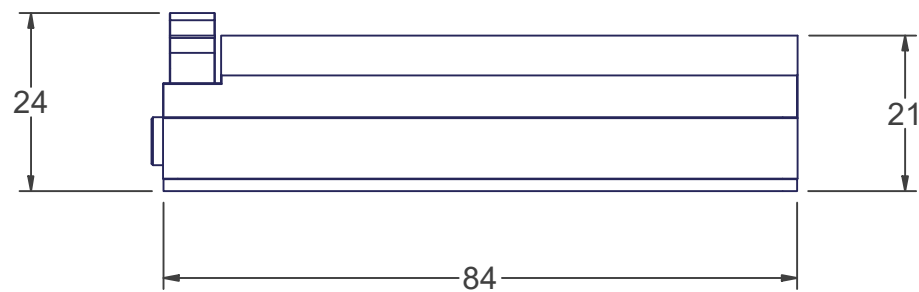
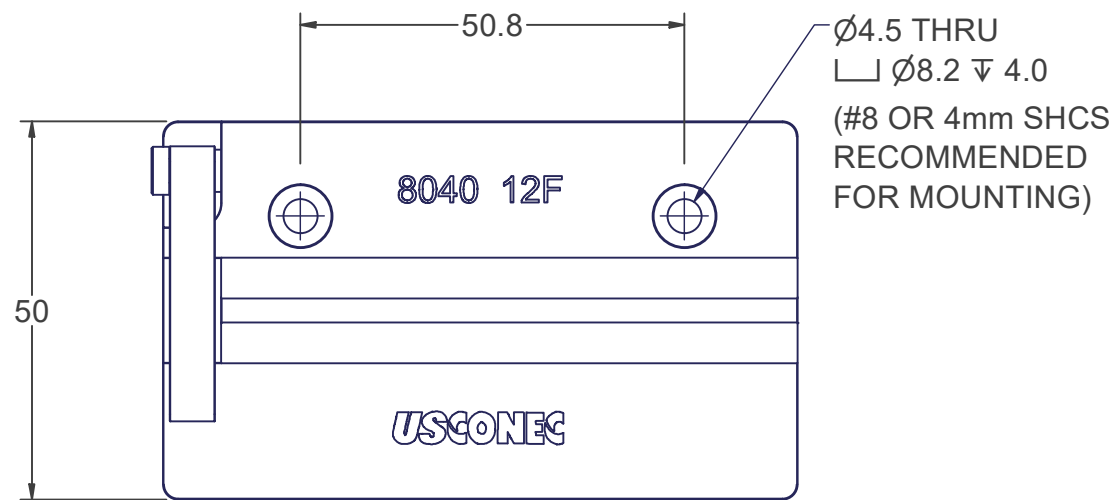


P/N	FIBER COUNT
8040	12F
8660	8F
15818	16F



NOTES:

1. FIBER STACKER W/ LANYARD:  
P/N 8231 IF ORDERED SEPARATELY

**USCONEC LTD. PROPRIETARY**  
THIS DOCUMENT AND THE ASSOCIATED DATA CONTAIN RESTRICTED INFORMATION THAT IS USCONEC LTD. PROPERTY. DISCLOSE OR DUPLICATE FOR OTHERS ONLY AS AUTHORIZED BY USCONEC LTD.

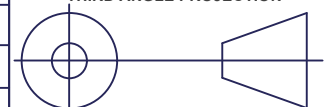
**Material:** N/A

REV.	DATE	DESCRIPTION	ECN
E1	2/24/14	ADDED NEW 16 FIBER COUNT ASSY PN 15818	1681-mm
E	5/10/16	RELEASE	1681-mm
F	1/19/21	OBSOLETE P/N 8662 (4F RIBBONIZING TOOL)	2156-mm
G1	1/16/25	ADDED P/N & FIBER COUNT MARKING	2729-rr
G	3/10/25	RELEASE	2729-rr

**CUSTOMER DRAWING**

DIMENSIONS FOR REFERENCE ONLY

THIRD ANGLE PROJECTION



**METRIC/mm**

▲ DENOTES CRITICAL DIMENSION

Hickory, NC  
800-769-0944  
www.usconec.com

**USCONEC**

**TITLE** TOOL, FIBER RIBBONIZING

SIZE <b>B</b>	S&M Part No.: SEE TABLE	DWG NO. <b>C8040</b>	REV G
SCALE N.T.S.	Drafter M. YOUNT	Date: 9/16/2005	SHEET 1 OF 1