

4

3

2

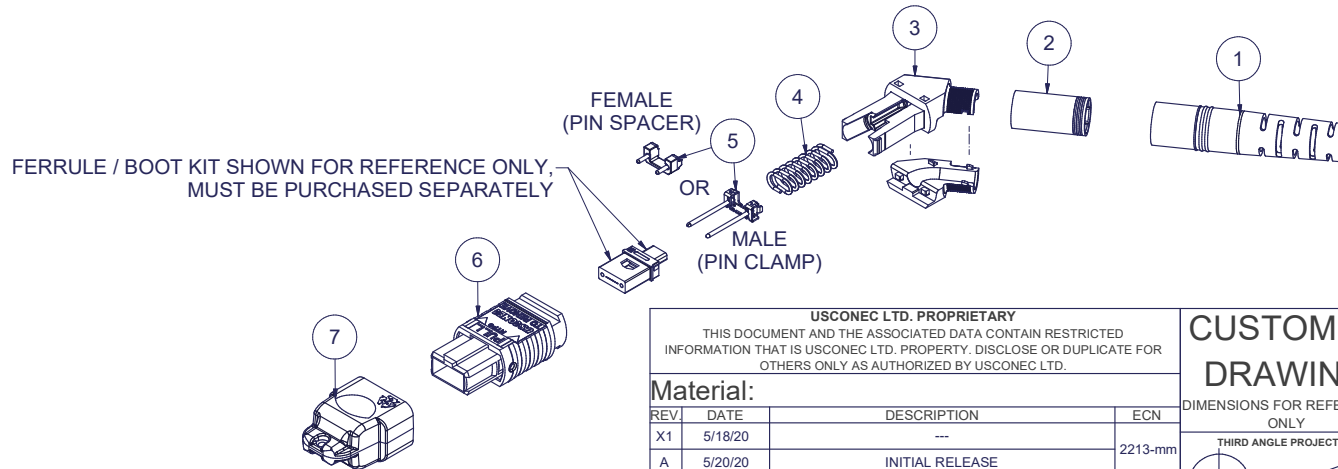
1

Parts List

ITEM	DESCRIPTION	PART NUMBER	QTY	NOTES
1	BOOT, ROUND, 5.0/5.5 CABLE	12978	1	
2	CRIMP BAND, 5.0, ROUND, MTP®	16428	1	
3	SPRING PUSH, UNIVERSAL, 2 PC, ANGLED	19973	1	
4	SPRING, UNIVERSAL, 9.8N, MTP®	17167	1	
5	PIN CLAMP or PIN SPACER	SEE KIT TABLE COLUMN A	1	NOTE 1
6	ASSEMBLY, HOUSING, MTP®	SEE KIT TABLE COLUMN B	1	
7	DUST CAP, MTP®	17242	1	

KIT P/N	KIT DESCRIPTION	PERFORMANCE	COLUMN A PIN CLAMP/ SPACER P/N	COLUMN B HSG ASSY P/N	HSG ASSY COLOR
20782	KIT, MTP®, UNIVERSAL, FEMALE, MM, 5.0 RND, ANGLED SPRING PUSH, BEIGE	MM	17795	MTP-A12-11	BEIGE
20783	KIT, MTP®, UNIVERSAL, MALE, MM, 5.0 RND, ANGLED SPRING PUSH, BEIGE	MM	17799	MTP-A12-11	BEIGE
20784	KIT, MTP®, UNIVERSAL, FEMALE, MM, 5.0 RND, ANGLED SPRING PUSH, BLACK	MM	17795	MTP-A12-02	BLACK
20785	KIT, MTP®, UNIVERSAL, MALE, MM, 5.0 RND, ANGLED SPRING PUSH, BLACK	MM	17799	MTP-A12-02	BLACK
20786	KIT, MTP®, UNIVERSAL, FEMALE, MM, 5.0 RND, ANGLED SPRING PUSH, AQUA	MM or MM MTP Elite®	17795	7871	AQUA
20787	KIT, MTP®, UNIVERSAL, MALE, MM, 5.0 RND, ANGLED SPRING PUSH, AQUA	MM	17799	7871	AQUA
20788	KIT, MTP®, UNIVERSAL, MALE, MM MTP Elite®, 5.0 RND, ANGLED SPRING PUSH, AQUA	MM MTP Elite®	17800	7871	AQUA
20789	KIT, MTP®, UNIVERSAL, FEMALE, MM, 5.0 RND, ANGLED SPRING PUSH, MAGENTA	MM or MM MTP Elite®	17795	13949	MAGENTA
20790	KIT, MTP®, UNIVERSAL, MALE, MM, 5.0 RND, ANGLED SPRING PUSH, MAGENTA	MM	17799	13949	MAGENTA
20791	KIT, MTP®, UNIVERSAL, MALE, MM MTP Elite®, 5.0 RND, ANGLED SPRING PUSH, MAGENTA	MM MTP Elite®	17800	13949	MAGENTA
20792	KIT, MTP®, UNIVERSAL, FEMALE, MM, 5.0 RND, ANGLED SPRING PUSH, HEATHER VIOLET	MM or MM MTP Elite®	17795	16693	HEATHER VIOLET
20793	KIT, MTP®, UNIVERSAL, MALE, MM, 5.0 RND, ANGLED SPRING PUSH, HEATHER VIOLET	MM	17799	16693	HEATHER VIOLET
20794	KIT, MTP®, UNIVERSAL, MALE, MM MTP Elite®, 5.0 RND, ANGLED SPRING PUSH, HEATHER VIOLET	MM MTP Elite®	17800	16693	HEATHER VIOLET
20795	KIT, MTP®, UNIVERSAL, FEMALE, MM, 5.0 RND, ANGLED SPRING PUSH, MUNSELL VIOLET	MM or MM MTP Elite®	17795	16791	MUNSELL VIOLET
20796	KIT, MTP®, UNIVERSAL, MALE, MM, 5.0 RND, ANGLED SPRING PUSH, MUNSELL VIOLET	MM	17799	16791	MUNSELL VIOLET
20797	KIT, MTP®, UNIVERSAL, MALE, MM MTP Elite®, 5.0 RND, ANGLED SPRING PUSH, MUNSELL VIOLET	MM MTP Elite®	17800	16791	MUNSELL VIOLET
20798	KIT, MTP®, UNIVERSAL, FEMALE, MM, 5.0 RND, ANGLED SPRING PUSH, LIME	MM or MM MTP Elite®	17795	18829	LIME
20799	KIT, MTP®, UNIVERSAL, MALE, MM, 5.0 RND, ANGLED SPRING PUSH, LIME	MM	17799	18829	LIME
20800	KIT, MTP®, UNIVERSAL, MALE, MM MTP Elite®, 5.0 RND, ANGLED SPRING PUSH, LIME	MM MTP Elite®	17800	18829	LIME
20801	KIT, MTP®, UNIVERSAL, FEMALE, SM, 5.0 RND, ANGLED SPRING PUSH, GREEN	SM	17795	16007	GREEN
20802	KIT, MTP®, UNIVERSAL, MALE, SM, 5.0 RND, ANGLED SPRING PUSH, GREEN	SM	17800	16007	GREEN
20803	KIT, MTP®, UNIVERSAL, FEMALE, SM MTP Elite®, 5.0 RND, ANGLED SPRING PUSH, YELLOW	SM MTP Elite®	17795	16918	YELLOW
20804	KIT, MTP®, UNIVERSAL, MALE, SM MTP Elite®, 5.0 RND, ANGLED SPRING PUSH, YELLOW	SM MTP Elite®	17801	16918	YELLOW

NOTES:
1. MALE CONNECTOR KIT HAS PIN CLAMP ASSEMBLY.
FEMALE CONNECTOR KIT HAS FEMALE PIN SPACER.



USCONEC LTD. PROPRIETARY THIS DOCUMENT AND THE ASSOCIATED DATA CONTAIN RESTRICTED INFORMATION THAT IS USCONEC LTD. PROPERTY. DISCLOSE OR DUPLICATE FOR OTHERS ONLY AS AUTHORIZED BY USCONEC LTD.				
Material:				
REV	DATE	DESCRIPTION	ECN	
X1	5/18/20	---	2213-mm	
A	5/20/20	INITIAL RELEASE		

CUSTOMER DRAWING

DIMENSIONS FOR REFERENCE ONLY

THIRD ANGLE PROJECTION

METRIC/mm

▲ DENOTES CRITICAL DIMENSION

Hickory, NC
800-769-0944
www.usconec.com

USCONEC

TITLE
KIT, MTP® CONN., UNIV., 4.8 - 5.2mm
ROUND CBL, ANGLED SPRING PUSH

SIZE: S&M Part No.: DWG No. REV
B SEE TABLE C20782 A

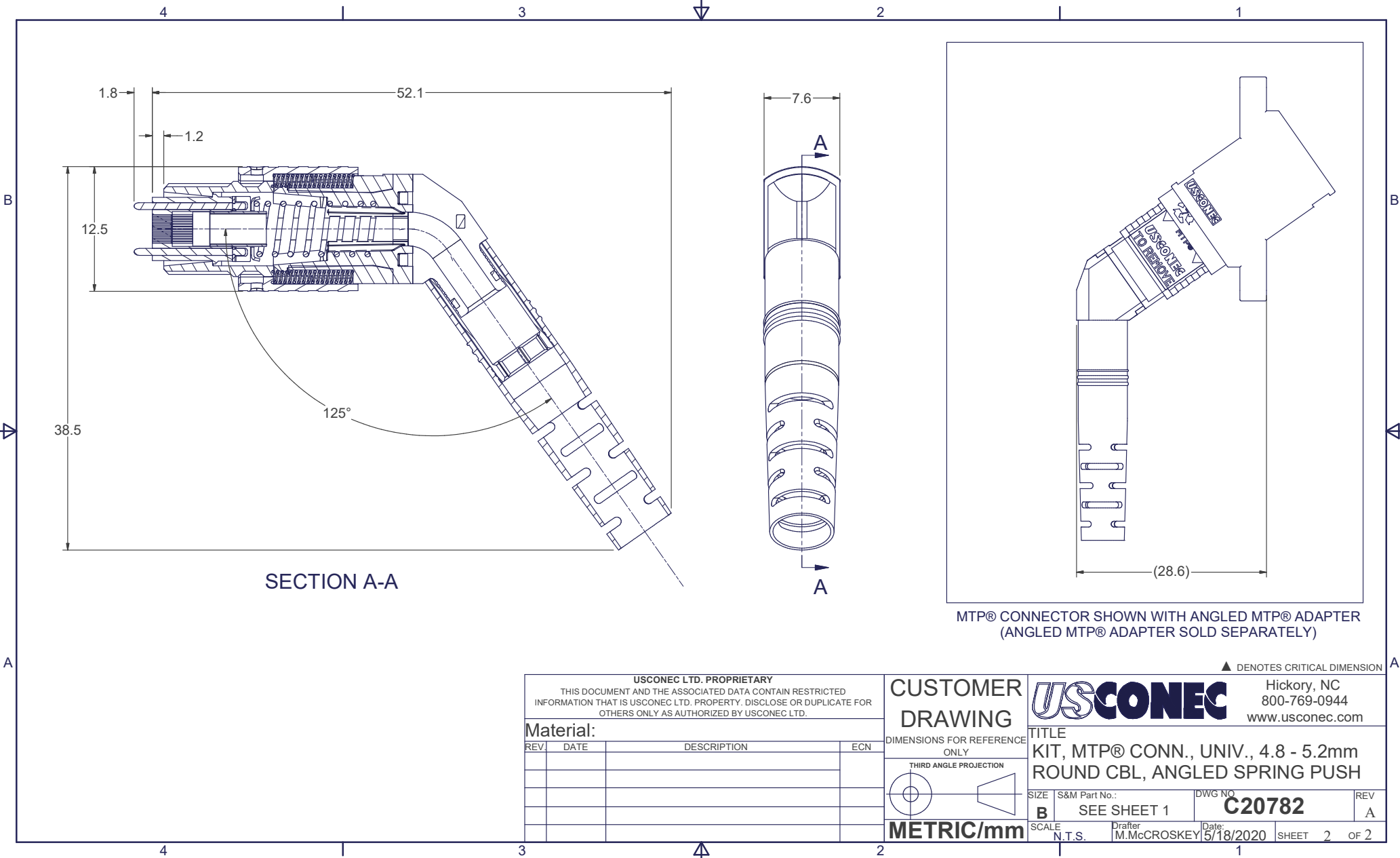
SCALE: N.T.S. Drafter: M.McCROSKEY Date: 5/18/2020 SHEET 1 OF 2

4

3

2

1



SECTION A-A

MTP® CONNECTOR SHOWN WITH ANGLED MTP® ADAPTER
(ANGLED MTP® ADAPTER SOLD SEPARATELY)

USCONEC LTD. PROPRIETARY
THIS DOCUMENT AND THE ASSOCIATED DATA CONTAIN RESTRICTED INFORMATION THAT IS USCONEC LTD. PROPERTY. DISCLOSE OR DUPLICATE FOR OTHERS ONLY AS AUTHORIZED BY USCONEC LTD.

Material:

REV.	DATE	DESCRIPTION	ECN

CUSTOMER DRAWING

DIMENSIONS FOR REFERENCE ONLY

THIRD ANGLE PROJECTION

METRIC/mm

▲ DENOTES CRITICAL DIMENSION

USCONEC
Hickory, NC
800-769-0944
www.usconec.com

TITLE
KIT, MTP® CONN., UNIV., 4.8 - 5.2mm
ROUND CBL, ANGLED SPRING PUSH

SIZE B	S&M Part No.: SEE SHEET 1	DWG NO. C20782	REV A
SCALE N.T.S.	Drafter M.McCROSKEY	Date: 5/18/2020	SHEET 2 OF 2