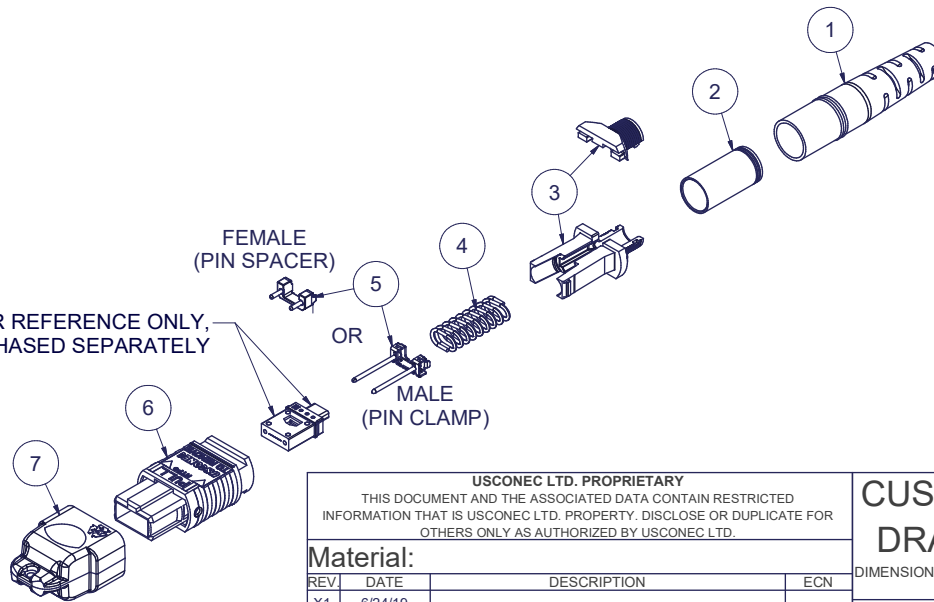


Parts List				
ITEM	DESCRIPTION	PART NUMBER	QTY	NOTES
1	BOOT, ROUND, 4.5 mm CABLE	13168	1	
2	CRIMP BAND, 4.5, ROUND, MTP®	16427	1	
3	SPRING PUSH, UNIVERSAL, 2 PC, 4.0 - 5.5mm RND, MTP®	19740	1	
4	SPRING, UNIVERSAL, 20N	17698	1	
5	PIN CLAMP or PIN SPACER	SEE KIT TABLE COLUMN A	1	NOTE 1
6	ASSEMBLY, HOUSING, MTP®	SEE KIT TABLE COLUMN B	1	
7	DUST CAP, MTP®	17242	1	

KIT P/N	KIT DESCRIPTION	PERFORMANCE	COLUMN A	COLUMN B	HSG ASSY COLOR
			PIN CLAMP/SPACER PN	HSG ASSY PN	
20666	KIT, MTP®, UNIV., FEMALE, MM, 4.5mm RND, HSF, BEIGE	MM	17795	MTP-A12-11	BEIGE
20667	KIT, MTP®, UNIV., MALE, MM, 4.5mm RND, HSF, BEIGE	MM	17799	MTP-A12-11	BEIGE
20668	KIT, MTP®, UNIV., FEMALE, MM, 4.5mm RND, HSF, BLACK	MM	17795	MTP-A12-02	BLACK
20669	KIT, MTP®, UNIV., MALE, MM, 4.5mm RND, HSF, BLACK	MM	17799	MTP-A12-02	BLACK
20670	KIT, MTP®, UNIV., FEMALE, MM, 4.5mm RND, HSF, AQUA	MM or MM MTP Elite®	17795	7871	AQUA
20671	KIT, MTP®, UNIV., MALE, MM, 4.5mm RND, HSF, AQUA	MM	17799	7871	AQUA
20672	KIT, MTP®, UNIV., MALE, MM MTP Elite®, 4.5mm RND, HSF, AQUA	MM MTP Elite®	17800	7871	AQUA
20673	KIT, MTP®, UNIV., FEMALE, MM, 4.5mm RND, HSF, MAGENTA	MM or MM MTP Elite®	17795	13949	MAGENTA
20674	KIT, MTP®, UNIV., MALE, MM, 4.5mm RND, HSF, MAGENTA	MM	17799	13949	MAGENTA
20675	KIT, MTP®, UNIV., MALE, MM MTP Elite®, 4.5mm RND, HSF, MAGENTA	MM MTP Elite®	17800	13949	MAGENTA
20676	KIT, MTP®, UNIV., FEMALE, MM, 4.5mm RND, HSF, HEATHER VIOLET	MM or MM MTP Elite®	17795	16693	HEATHER VIOLET
20677	KIT, MTP®, UNIV., MALE, MM, 4.5mm RND, HSF, HEATHER VIOLET	MM	17799	16693	HEATHER VIOLET
20678	KIT, MTP®, UNIV., MALE, MM MTP Elite®, 4.5mm RND, HSF, HEATHER VIOLET	MM MTP Elite®	17800	16693	HEATHER VIOLET
20679	KIT, MTP®, UNIV., FEMALE, MM, 4.5mm RND, HSF, MUNSELL VIOLET	MM or MM MTP Elite®	17795	16791	MUNSELL VIOLET
20680	KIT, MTP®, UNIV., MALE, MM, 4.5mm RND, HSF, MUNSELL VIOLET	MM	17799	16791	MUNSELL VIOLET
20681	KIT, MTP®, UNIV., MALE, MM MTP Elite®, 4.5mm RND, HSF, MUNSELL VIOLET	MM MTP Elite®	17800	16791	MUNSELL VIOLET
20682	KIT, MTP®, UNIV., FEMALE, MM, 4.5mm RND, HSF, LIME	MM or MM MTP Elite®	17795	18829	LIME
20683	KIT, MTP®, UNIV., MALE, MM, 4.5mm RND, HSF, LIME	MM	17799	18829	LIME
20684	KIT, MTP®, UNIV., MALE, MM MTP Elite®, 4.5mm RND, HSF, LIME	MM MTP Elite®	17800	18829	LIME
20685	KIT, MTP®, UNIV., FEMALE, SM, 4.5mm RND, HSF, GREEN	SM	17795	16007	GREEN
20686	KIT, MTP®, UNIV., MALE, SM, 4.5mm RND, HSF, GREEN	SM	17800	16007	GREEN
20687	KIT, MTP®, UNIV., FEMALE, SM MTP Elite®, 4.5mm RND, HSF, YELLOW	SM MTP Elite®	17795	16918	YELLOW
20688	KIT, MTP®, UNIV., MALE, SM MTP Elite®, 4.5mm RND, HSF, YELLOW	SM MTP Elite®	17801	16918	YELLOW

NOTES:

1. MALE CONNECTOR KIT HAS PIN CLAMP ASSEMBLY, FEMALE CONNECTOR KIT HAS FEMALE PIN SPACER



FERRULE / BOOT KIT SHOWN FOR REFERENCE ONLY, MUST BE PURCHASED SEPARATELY

USCONEC LTD. PROPRIETARY
THIS DOCUMENT AND THE ASSOCIATED DATA CONTAIN RESTRICTED INFORMATION THAT IS USCONEC LTD. PROPERTY. DISCLOSE OR DUPLICATE FOR OTHERS ONLY AS AUTHORIZED BY USCONEC LTD.

Material:

REV	DATE	DESCRIPTION	ECN
X1	6/24/19	-	
A	1/14/20	INITIAL RELEASE	2225-mm
B	4/16/20	CORRECTED KIT DESCRIPTIONS	

CUSTOMER DRAWING

DIMENSIONS FOR REFERENCE ONLY

THIRD ANGLE PROJECTION

METRIC/mm

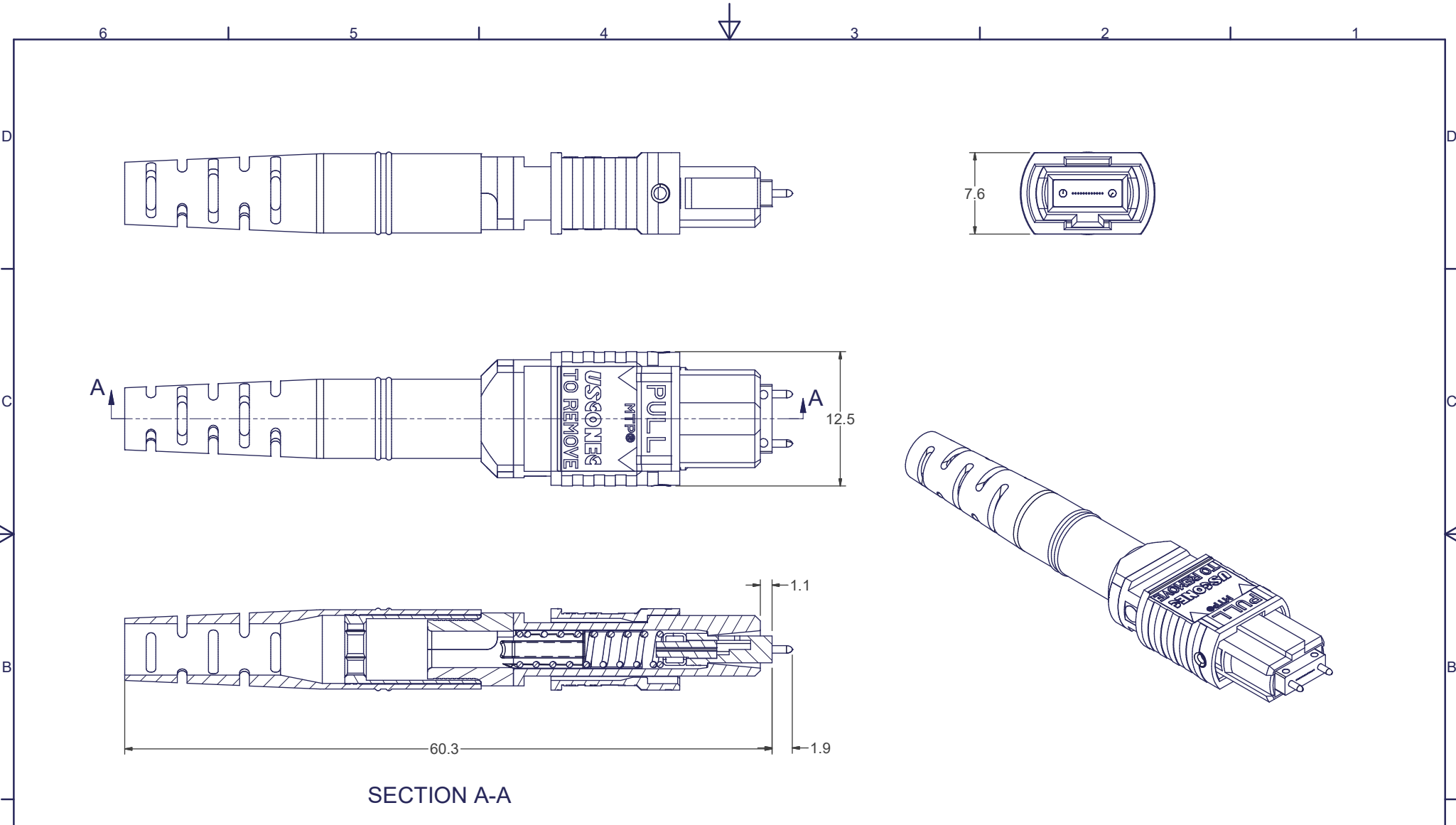
▲ DENOTES CRITICAL DIMENSION

USCONEC Hickory, NC
800-769-0944
www.usconec.com

TITLE
KIT, MTP® CONN., UNIV., 4.3 - 4.7mm ROUND CABLE, HIGH SPRING FORCE

SIZE: **A3** S&M Part No.: **SEE TABLE** DWG NO: **C20666** REV: **B**

SCALE: N.T.S. Drafter: **M. McCROSKEY** Date: **6/24/2019** SHEET **1** OF **2**



SECTION A-A

USCONEC LTD. PROPRIETARY
 THIS DOCUMENT AND THE ASSOCIATED DATA CONTAIN RESTRICTED INFORMATION THAT IS USCONEC LTD. PROPERTY. DISCLOSE OR DUPLICATE FOR OTHERS ONLY AS AUTHORIZED BY USCONEC LTD.

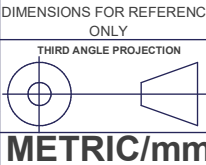
Material:

REV	DATE	DESCRIPTION	ECN

CUSTOMER DRAWING

USCONEC
 Hickory, NC
 800-769-0944
 www.usconec.com

TITLE
KIT, MTP® CONN., UNIV., 4.3 - 4.7mm ROUND CABLE, HIGH SPRING FORCE



SIZE A3	S&M Part No.: SEE TABLE	DWG NO. C20666	REV B
SCALE N.T.S.	Drafter M.McCROSKY	Date: 6/24/2019	SHEET 2 OF 2

▲ DENOTES CRITICAL DIMENSION