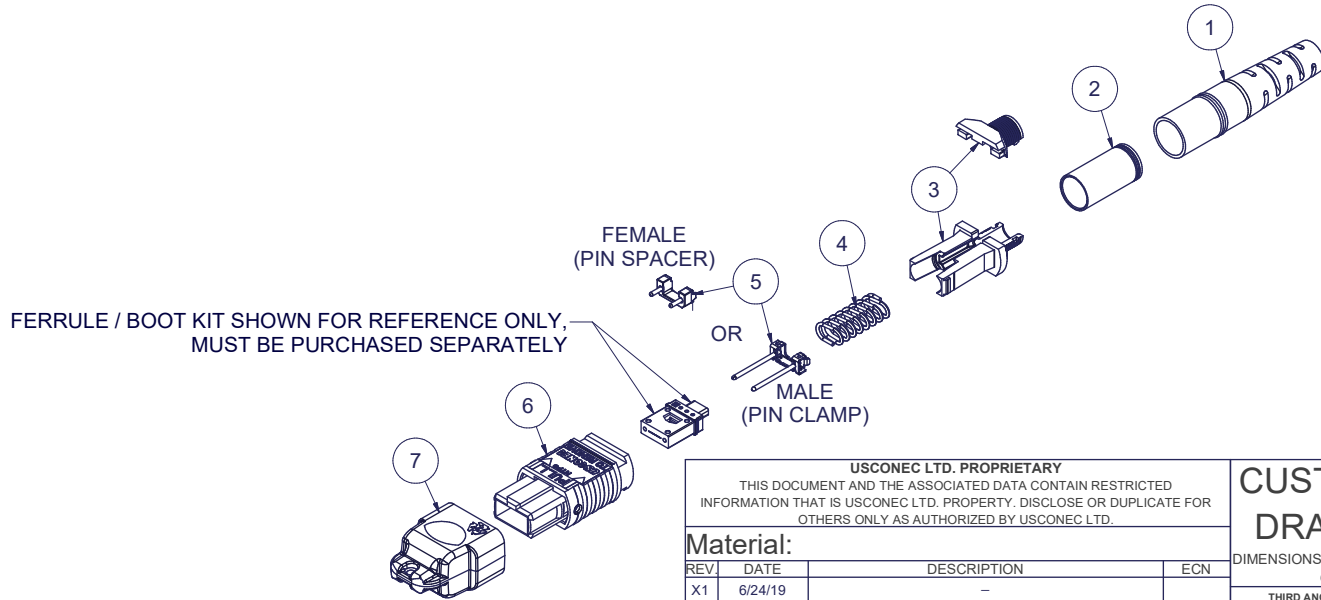


Parts List				
ITEM	DESCRIPTION	PART NUMBER	QTY	NOTES
1	BOOT, ROUND, 4.5 mm CABLE	13168	1	
2	CRIMP BAND, 4.5, ROUND, MTP®	16427	1	
3	SPRING PUSH, UNIVERSAL, 2 PC, 4.0 - 5.5mm RND, MTP®	19740	1	
4	SPRING, UNIVERSAL, 9.8N, MTP®	17167	1	
5	PIN CLAMP or PIN SPACER	SEE KIT TABLE COLUMN A	1	NOTE 1
6	ASSEMBLY, HOUSING, MTP®	SEE KIT TABLE COLUMN B	1	
7	DUST CAP, MTP®	17242	1	

KIT P/N	KIT DESCRIPTION	PERFORMANCE	COLUMN A	COLUMN B	HSG ASSY COLOR
			PIN CLAMP/SPACER PN	HSG ASSY PN	
20643	KIT, MTP®, UNIV., FEMALE, MM, 4.5mm RND, BEIGE	MM	17795	MTP-A12-11	BEIGE
20644	KIT, MTP®, UNIV., MALE, MM, 4.5mm RND, BEIGE	MM	17799	MTP-A12-11	BEIGE
20645	KIT, MTP®, UNIV., FEMALE, MM, 4.5mm RND, BLACK	MM	17795	MTP-A12-02	BLACK
20646	KIT, MTP®, UNIV., MALE, MM, 4.5mm RND, BLACK	MM	17799	MTP-A12-02	BLACK
20647	KIT, MTP®, UNIV., FEMALE, MM, 4.5mm RND, AQUA	MM or MM MTP Elite®	17795	7871	AQUA
20648	KIT, MTP®, UNIV., MALE, MM, 4.5mm RND, AQUA	MM	17799	7871	AQUA
20649	KIT, MTP®, UNIV., MALE, MM MTP Elite®, 4.5mm RND, AQUA	MM MTP Elite®	17800	7871	AQUA
20650	KIT, MTP®, UNIV., FEMALE, MM, 4.5mm RND, MAGENTA	MM or MM MTP Elite®	17795	13949	MAGENTA
20651	KIT, MTP®, UNIV., MALE, MM, 4.5mm RND, MAGENTA	MM	17799	13949	MAGENTA
20652	KIT, MTP®, UNIV., MALE, MM MTP Elite®, 4.5mm RND, MAGENTA	MM MTP Elite®	17800	13949	MAGENTA
20653	KIT, MTP®, UNIV., FEMALE, MM, 4.5mm RND, HEATHER VIOLET	MM or MM MTP Elite®	17795	16693	HEATHER VIOLET
20654	KIT, MTP®, UNIV., MALE, MM, 4.5mm RND, HEATHER VIOLET	MM	17799	16693	HEATHER VIOLET
20655	KIT, MTP®, UNIV., MALE, MM MTP Elite®, 4.5mm RND, HEATHER VIOLET	MM MTP Elite®	17800	16693	HEATHER VIOLET
20656	KIT, MTP®, UNIV., FEMALE, MM, 4.5mm RND, MUNSELL VIOLET	MM or MM MTP Elite®	17795	16791	MUNSELL VIOLET
20657	KIT, MTP®, UNIV., MALE, MM, 4.5mm RND, MUNSELL VIOLET	MM	17799	16791	MUNSELL VIOLET
20658	KIT, MTP®, UNIV., MALE, MM MTP Elite®, 4.5mm RND, MUNSELL VIOLET	MM MTP Elite®	17800	16791	MUNSELL VIOLET
20659	KIT, MTP®, UNIV., FEMALE, MM, 4.5mm RND, LIME	MM or MM MTP Elite®	17795	18829	LIME
20660	KIT, MTP®, UNIV., MALE, MM, 4.5mm RND, LIME	MM	17799	18829	LIME
20661	KIT, MTP®, UNIV., MALE, MM MTP Elite®, 4.5mm RND, GREEN	MM MTP Elite®	17800	18829	LIME
20662	KIT, MTP®, UNIV., FEMALE, SM, 4.5mm RND, GREEN	SM	17795	16007	GREEN
20663	KIT, MTP®, UNIV., MALE, SM, 4.5mm RND, GREEN	SM	17800	16007	GREEN
20664	KIT, MTP®, UNIV., FEMALE, SM MTP Elite®, 4.5mm RND, YELLOW	SM MTP Elite®	17795	16918	YELLOW
20665	KIT, MTP®, UNIV., MALE, SM MTP Elite®, 4.5mm RND, YELLOW	SM MTP Elite®	17801	16918	YELLOW

NOTES:
 1. MALE CONNECTOR KIT HAS PIN CLAMP ASSEMBLY, FEMALE CONNECTOR KIT HAS FEMALE PIN SPACER



USCONEC LTD. PROPRIETARY
 THIS DOCUMENT AND THE ASSOCIATED DATA CONTAIN RESTRICTED INFORMATION THAT IS USCONEC LTD. PROPERTY. DISCLOSE OR DUPLICATE FOR OTHERS ONLY AS AUTHORIZED BY USCONEC LTD.

Material:

REV	DATE	DESCRIPTION	ECN
X1	6/24/19	-	2225-mm
A	1/14/20	INITIAL RELEASE	
B	4/16/20	CORRECTED KIT DESCRIPTIONS	

CUSTOMER DRAWING

DIMENSIONS FOR REFERENCE ONLY

THIRD ANGLE PROJECTION

METRIC/mm

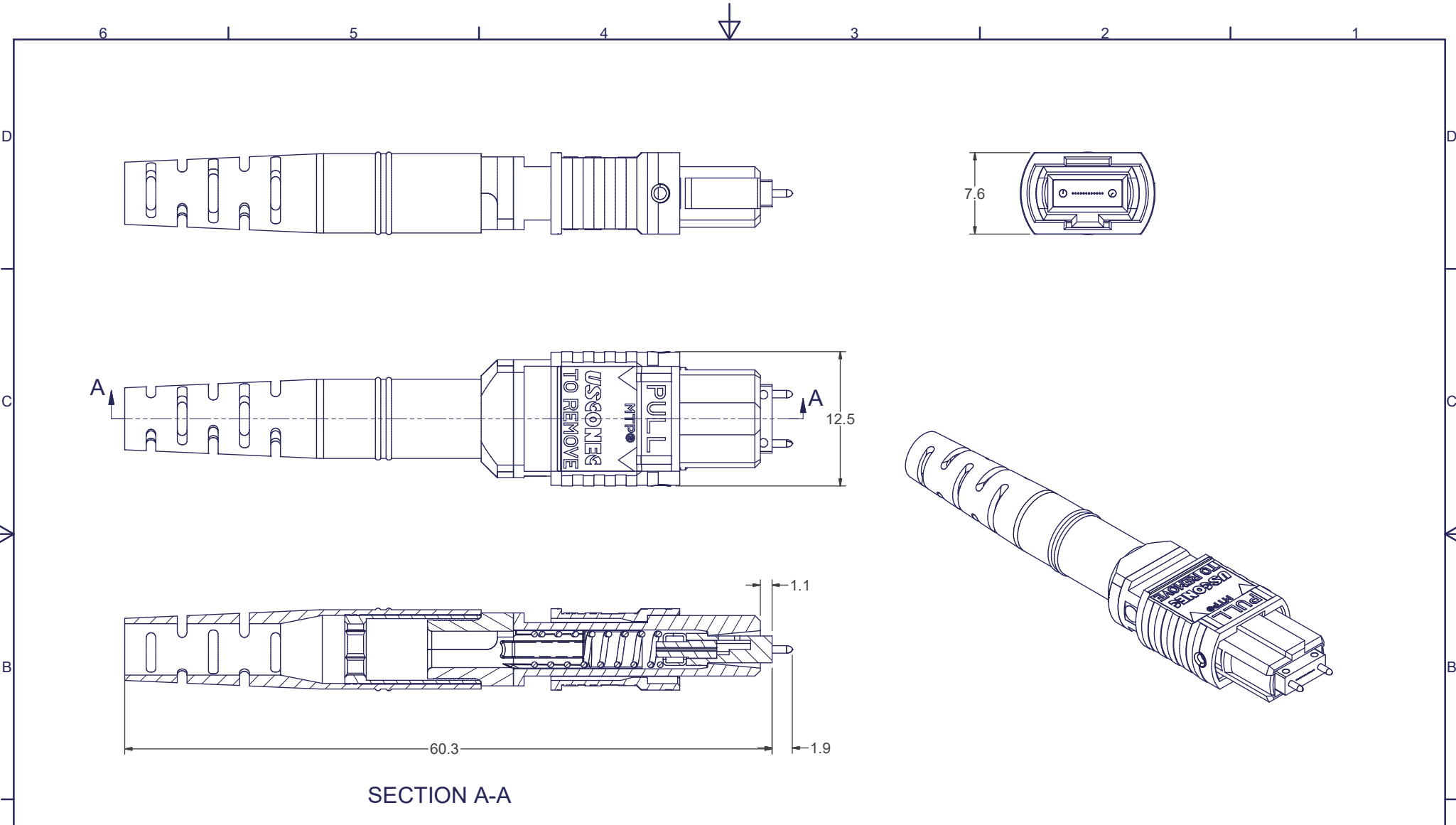
▲ DENOTES CRITICAL DIMENSION

USCONEC Hickory, NC
 800-769-0944
 www.usconec.com

TITLE
KIT, MTP® CONNECTOR, UNIVERSAL, 4.3 - 4.7mm ROUND CABLE

SIZE **A3** S&M Part No.: **SEE TABLE** DWG NO. **C20643** REV **B**

SCALE N.T.S. Drafter **M.McCROSKEY** Date: **6/24/2019** SHEET **1** OF **2**



SECTION A-A

▲ DENOTES CRITICAL DIMENSION

USCONEC LTD. PROPRIETARY
 THIS DOCUMENT AND THE ASSOCIATED DATA CONTAIN RESTRICTED INFORMATION THAT IS USCONEC LTD. PROPERTY. DISCLOSE OR DUPLICATE FOR OTHERS ONLY AS AUTHORIZED BY USCONEC LTD.

CUSTOMER DRAWING

Material:

REV	DATE	DESCRIPTION	ECN

DIMENSIONS FOR REFERENCE ONLY

THIRD ANGLE PROJECTION

METRIC/mm

USCONEC Hickory, NC
 800-769-0944
 www.usconec.com

TITLE
 KIT, MTP® CONNECTOR, UNIVERSAL,
 4.3 - 4.7mm ROUND CABLE

SIZE **A3** S&M Part No.: SEE TABLE DWG NO. **C20643** REV **B**

SCALE N.T.S. Drafter **M. McCROSKEY** Date: **6/24/2019** SHEET **2** OF **2**