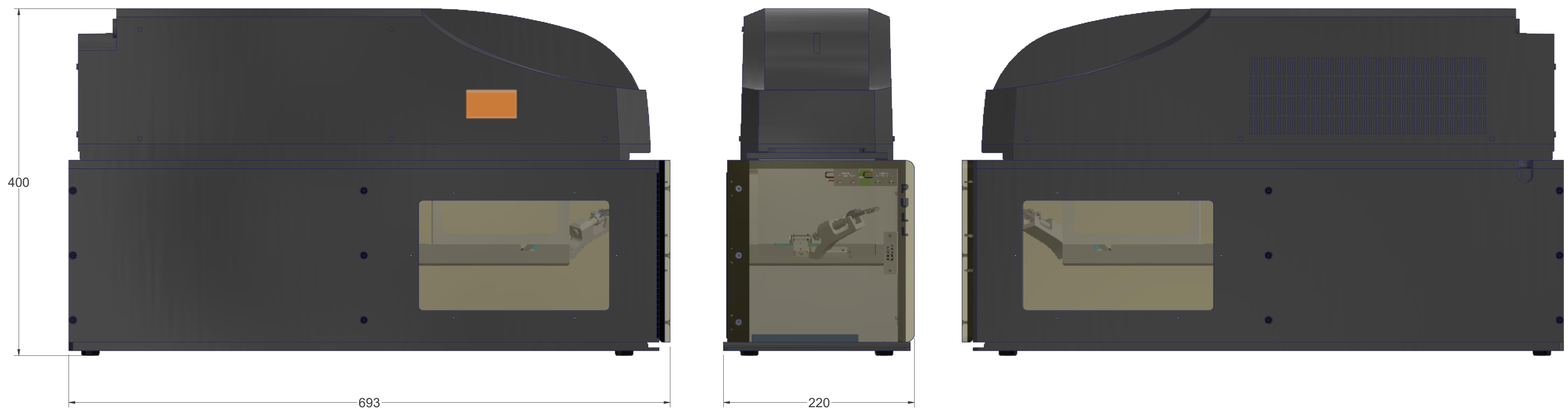
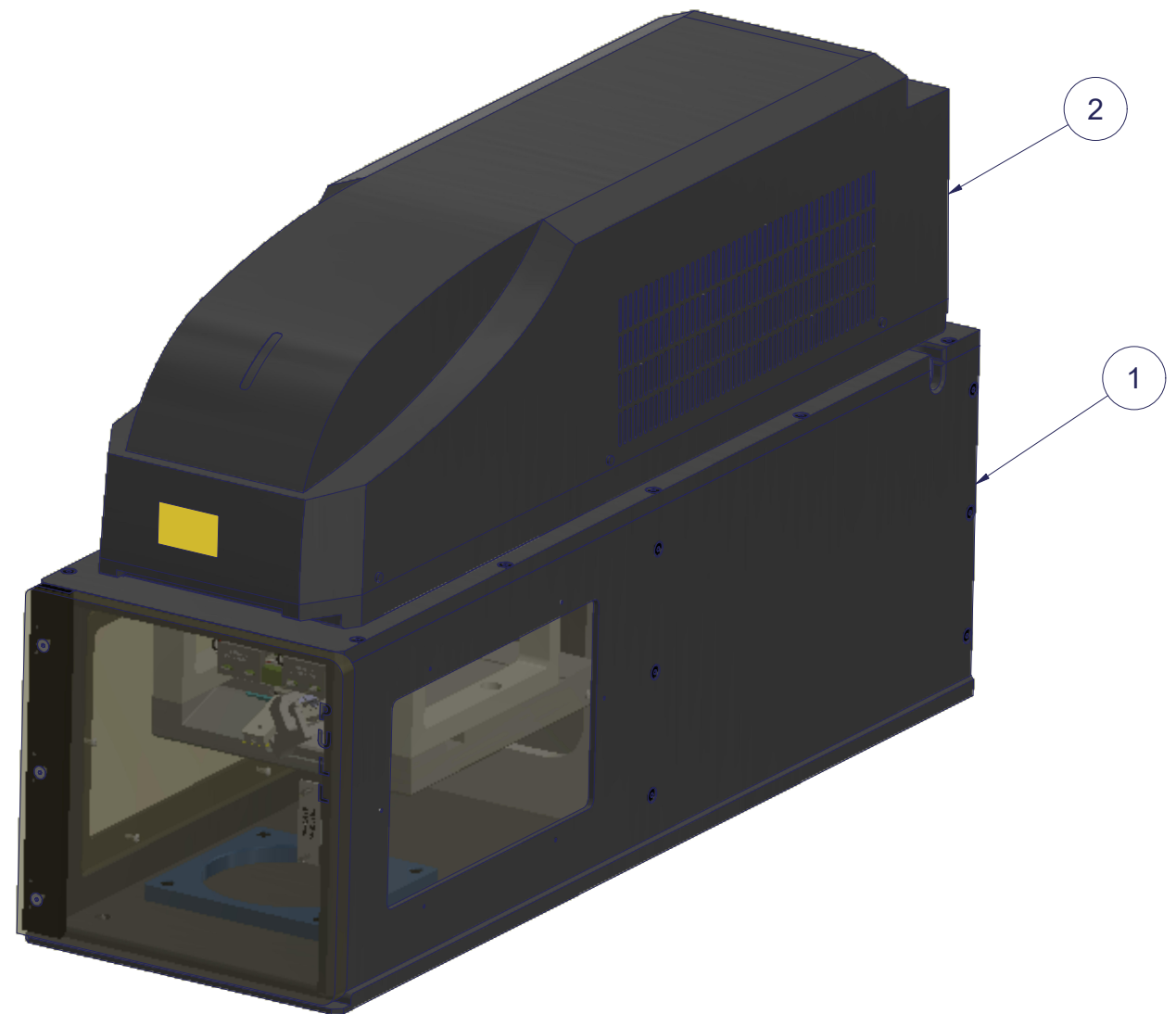


Parts List		
ITEM	QTY	DESCRIPTION
1	1	ASSY, LASER CLEAVE ENCLOSURE / MOUNT
2	1	LASER MARKER
3	1	ZAP-IT PAPER, Z-25, 1 PACK
4	1	TRANSPORT CASE
5	1	CONTROLLER
6	1	LAPTOP
7	1	POWER CORD
8	1	6' A/B USB CABLE
9	1	RIBBON HOLDER, BARE / 3.0 & 3.6 ROUND (BLACK)
10	1 Pack	FIBER CATCH PAN, PACK OF 10
11	1	DONGLE, USB, SOFTWARE LICENSE
12	1	FIBER HOLDER, LOOSE FIBERS, 2.0 CBL (GREEN)
13	1	FLASH DRIVE W/ RECOVERY SOFTWARE



NOTES:
 1. ITEMS 3 - 13 NOT SHOWN.
 2. CLASS 1 LASER PRODUCT.

<small>USCONEC LTD. PROPRIETARY</small> <small>THIS DOCUMENT AND THE ASSOCIATED DATA CONTAIN RESTRICTED INFORMATION THAT IS USCONEC LTD. PROPERTY. DISCLOSE OR DUPLICATE FOR OTHERS ONLY AS AUTHORIZED BY USCONEC LTD.</small>				CUSTOMER DRAWING				Hickory, NC 800-769-0944 www.usconec.com							
Material: SEE PARTS LIST				<small>DIMENSIONS FOR REFERENCE ONLY</small>		TITLE ASSY., LASER CLEAVE									
REV.	DATE	DESCRIPTION	ECN	<small>THIRD ANGLE PROJECTION</small>				SIZE	S&M Part No.:	DWG NO.	REV				
X1	11/16/18	---	2184-rr			C		20642	C20642	B					
B	9/9/24	ADDED NOTE 2	2184-mm												
				METRIC/mm		SCALE	N.T.S.	Drafter	R. RAWALD	Date:	11/16/2018	SHEET	1	OF	1

▲ DENOTES CRITICAL DIMENSION