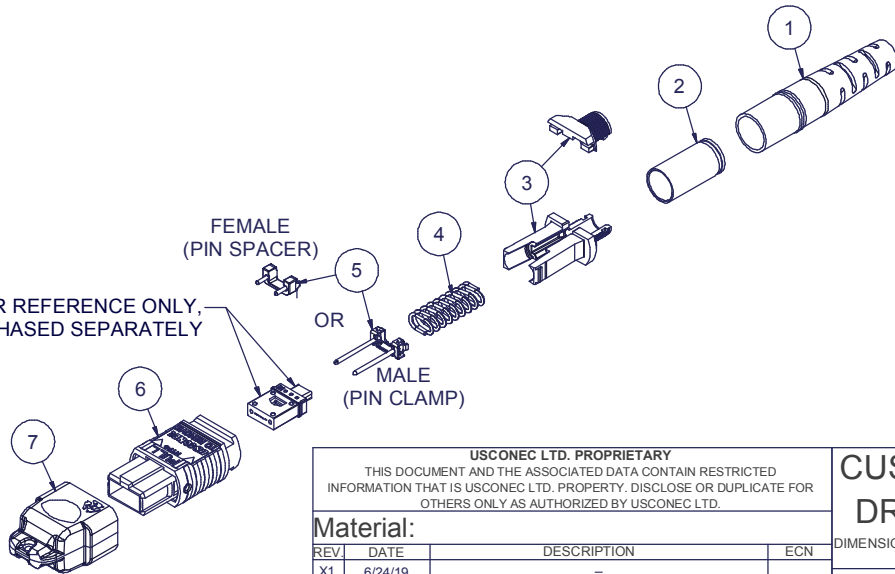


Parts List				
ITEM	DESCRIPTION	PART NUMBER	QTY	NOTES
1	BOOT, ROUND, 4.5 mm CABLE	13168	1	
2	CRIMP BAND, 4.0, ROUND, MTP® & MXC®	16543	1	
3	SPRING PUSH, UNIVERSAL, 2 PC, 4.0 - 5.5mm RND, MTP®	19740	1	
4	SPRING, UNIVERSAL, 20N	17698	1	
5	PIN CLAMP or PIN SPACER	SEE KIT TABLE COLUMN A	1	NOTE 1
6	ASSEMBLY, HOUSING, MTP®	SEE KIT TABLE COLUMN B	1	
7	DUST CAP, MTP®	17242	1	

NOTES:
 1. MALE CONNECTOR KIT HAS PIN CLAMP ASSEMBLY, FEMALE CONNECTOR KIT HAS FEMALE PIN SPACER

KIT P/N	KIT DESCRIPTION	PERFORMANCE	COLUMN A PIN CLAMP/SPACER PN	COLUMN B HSG ASSY PN	HSG ASSY COLOR
20571	KIT, MTP®, UNIV., FEMALE, MM, 4.0mm RND, HSF, BEIGE	MM	17795	MTP-A12-11	BEIGE
20572	KIT, MTP®, UNIV., MALE, MM, 4.0mm RND, HSF, BEIGE	MM	17799	MTP-A12-11	BEIGE
20573	KIT, MTP®, UNIV., FEMALE, MM, 4.0mm RND, HSF, BLACK	MM	17795	MTP-A12-02	BLACK
20574	KIT, MTP®, UNIV., MALE, MM, 4.0mm RND, HSF, BLACK	MM	17799	MTP-A12-02	BLACK
20575	KIT, MTP®, UNIV., FEMALE, MM, 4.0mm RND, HSF, AQUA	MM or MM MTP Elite®	17795	7871	AQUA
20576	KIT, MTP®, UNIV., MALE, MM, 4.0mm RND, HSF, AQUA	MM	17799	7871	AQUA
20577	KIT, MTP®, UNIV., MALE, MM MTP Elite®, 4.0mm RND, HSF, AQUA	MM MTP Elite®	17800	7871	AQUA
20578	KIT, MTP®, UNIV., FEMALE, MM, 4.0mm RND, HSF, MAGENTA	MM or MM MTP Elite®	17795	13949	MAGENTA
20579	KIT, MTP®, UNIV., MALE, MM, 4.0mm RND, HSF, MAGENTA	MM	17799	13949	MAGENTA
20580	KIT, MTP®, UNIV., MALE, MM MTP Elite®, 4.0mm RND, HSF, MAGENTA	MM MTP Elite®	17800	13949	MAGENTA
20581	KIT, MTP®, UNIV., FEMALE, MM, 4.0mm RND, HSF, HEATHER VIOLET	MM or MM MTP Elite®	17795	16693	HEATHER VIOLET
20582	KIT, MTP®, UNIV., MALE, MM, 4.0mm RND, HSF, HEATHER VIOLET	MM	17799	16693	HEATHER VIOLET
20583	KIT, MTP®, UNIV., MALE, MM MTP Elite®, 4.0mm RND, HSF, HEATHER VIOLET	MM MTP Elite®	17800	16693	HEATHER VIOLET
20584	KIT, MTP®, UNIV., FEMALE, MM, 4.0mm RND, HSF, MUNSELL VIOLET	MM or MM MTP Elite®	17795	16791	MUNSELL VIOLET
20585	KIT, MTP®, UNIV., MALE, MM, 4.0mm RND, HSF, MUNSELL VIOLET	MM	17799	16791	MUNSELL VIOLET
20586	KIT, MTP®, UNIV., MALE, MM MTP Elite®, 4.0mm RND, HSF, MUNSELL VIOLET	MM MTP Elite®	17800	16791	MUNSELL VIOLET
20587	KIT, MTP®, UNIV., FEMALE, MM, 4.0mm RND, HSF, LIME	MM or MM MTP Elite®	17795	18829	LIME
20588	KIT, MTP®, UNIV., MALE, MM, 4.0mm RND, HSF, LIME	MM	17799	18829	LIME
20589	KIT, MTP®, UNIV., MALE, MM MTP Elite®, 4.0mm RND, HSF, LIME	MM MTP Elite®	17800	18829	LIME
20590	KIT, MTP®, UNIV., FEMALE, SM, 4.0mm RND, HSF, GREEN	SM	17795	16007	GREEN
20591	KIT, MTP®, UNIV., MALE, SM, 4.0mm RND, HSF, GREEN	SM	17800	16007	GREEN
20592	KIT, MTP®, UNIV., FEMALE, SM MTP Elite®, 4.0mm RND, HSF, YELLOW	SM MTP Elite®	17795	16918	YELLOW
20593	KIT, MTP®, UNIV., MALE, SM MTP Elite®, 4.0mm RND, HSF, YELLOW	SM MTP Elite®	17801	16918	YELLOW

FERRULE / BOOT KIT SHOWN FOR REFERENCE ONLY, MUST BE PURCHASED SEPARATELY



USCONEC LTD. PROPRIETARY
 THIS DOCUMENT AND THE ASSOCIATED DATA CONTAIN RESTRICTED INFORMATION THAT IS USCONEC LTD. PROPERTY. DISCLOSE OR DUPLICATE FOR OTHERS ONLY AS AUTHORIZED BY USCONEC LTD.

Material:

REV.	DATE	DESCRIPTION	ECN
X1	6/24/19	-	2225-mm
A	1/14/20	INITIAL RELEASE	

CUSTOMER DRAWING

DIMENSIONS FOR REFERENCE ONLY

THIRD ANGLE PROJECTION

METRIC/mm

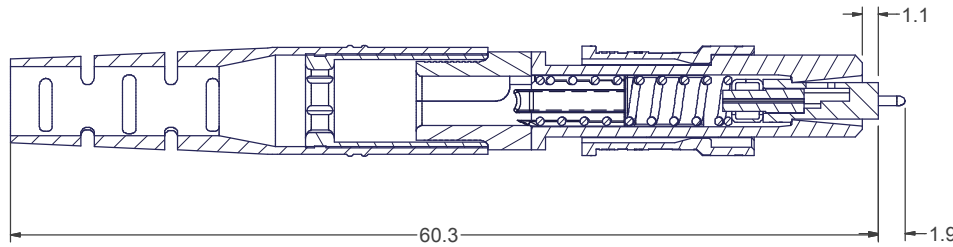
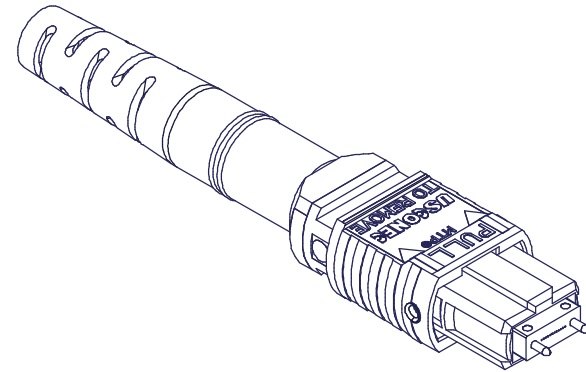
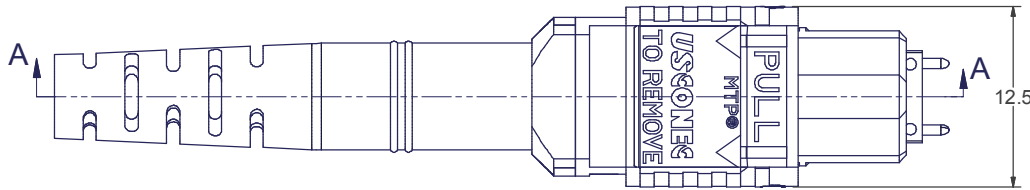
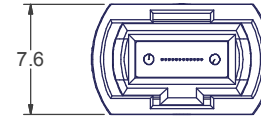
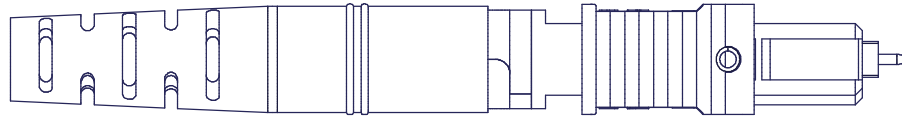
▲ DENOTES CRITICAL DIMENSION

USCONEC Hickory, NC
 800-769-0944
www.usconec.com

TITLE
 KIT, MTP® CONN., UNIV., 3.8 - 4.2mm ROUND CABLE, HIGH SPRING FORCE

SIZE | S&M Part No.: | DWG NO. | REV
A3 | SEE TABLE | **C20571** | **A**

SCALE | Drafter | Date: | SHEET | OF 2
 N.T.S. | M. McCROSKEY | 6/24/2019 | 1 | 2



SECTION A-A

▲ DENOTES CRITICAL DIMENSION

USCONEC LTD. PROPRIETARY
THIS DOCUMENT AND THE ASSOCIATED DATA CONTAIN RESTRICTED INFORMATION THAT IS USCONEC LTD. PROPERTY. DISCLOSE OR DUPLICATE FOR OTHERS ONLY AS AUTHORIZED BY USCONEC LTD.

Material:

REV.	DATE	DESCRIPTION	ECN

CUSTOMER DRAWING

DIMENSIONS FOR REFERENCE ONLY

THIRD ANGLE PROJECTION



METRIC/mm



Hickory, NC
800-769-0944
www.usconec.com

TITLE
KIT, MTP® CONN., UNIV., 3.8 - 4.2mm
ROUND CABLE, HIGH SPRING FORCE

SIZE A3 S&M Part No.: SEE TABLE DWG NO. C20571 REV. A

SCALE N.T.S. Drafter M. McCROSKEY Date: 6/24/2019 SHEET 2 OF 2