

4

3

2

1

Parts List

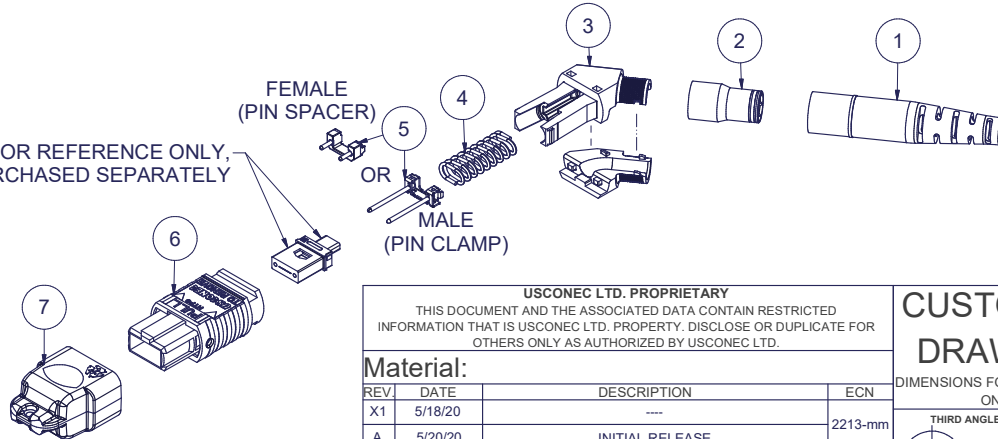
ITEM	DESCRIPTION	PART NUMBER	QTY	NOTES
1	BOOT, ROUND, MTP®, 3.6mm	12165	1	
2	CRIMP BAND	17776	1	
3	SPRING PUSH, UNIVERSAL, 2 PC, ANGLED	19973	1	
4	SPRING, UNIVERSAL, 20N	17698	1	
5	PIN CLAMP or PIN SPACER	SEE KIT TABLE COLUMN A	1	NOTE 1
6	ASSEMBLY, HOUSING, MTP®	SEE KIT TABLE COLUMN B	1	
7	DUST CAP, MTP®	17242	1	

KIT P/N	KIT DESCRIPTION	PERFORMANCE	COLUMN A PIN CLAMP/ SPACER P/N	COLUMN B HSG ASSY P/N	HSG ASSY COLOR
20511	KIT, MTP®, UNIV., FEMALE, MM, 3.6 RND, ANGLED SPRING PUSH, HSF, BEIGE	MM	17795	MTP-A12-11	BEIGE
20512	KIT, MTP®, UNIV., MALE, MM, 3.6 RND, ANGLED SPRING PUSH, HSF, BEIGE	MM	17799	MTP-A12-11	BEIGE
20513	KIT, MTP®, UNIV., FEMALE, MM, 3.6 RND, ANGLED SPRING PUSH, HSF, BLACK	MM	17795	MTP-A12-02	BLACK
20514	KIT, MTP®, UNIV., MALE, MM, 3.6 RND, ANGLED SPRING PUSH, HSF, BLACK	MM	17799	MTP-A12-02	BLACK
20515	KIT, MTP®, UNIV., FEMALE, MM, 3.6 RND, ANGLED SPRING PUSH, HSF, AQUA	MM or MM MTP Elite®	17795	7871	AQUA
20516	KIT, MTP®, UNIV., MALE, MM, 3.6 RND, ANGLED SPRING PUSH, HSF, AQUA	MM	17799	7871	AQUA
20517	KIT, MTP®, UNIV., MALE, MM MTP Elite®, 3.6 RND, ANGLED SPRING PUSH, HSF, AQUA	MM MTP Elite®	17800	7871	AQUA
20518	KIT, MTP®, UNIV., FEMALE, MM, 3.6 RND, ANGLED SPRING PUSH, HSF, MAGENTA	MM or MM MTP Elite®	17795	13949	MAGENTA
20519	KIT, MTP®, UNIV., MALE, MM, 3.6 RND, ANGLED SPRING PUSH, HSF, MAGENTA	MM	17799	13949	MAGENTA
20520	KIT, MTP®, UNIV., MALE, MM MTP Elite®, 3.6 RND, ANGLED SPRING PUSH, HSF, MAGENTA	MM MTP Elite®	17800	13949	MAGENTA
20521	KIT, MTP®, UNIV., FEMALE, MM, 3.6 RND, ANGLED SPRING PUSH, HSF, HEATHER VIOLET	MM or MM MTP Elite®	17795	16693	HEATHER VIOLET
20522	KIT, MTP®, UNIV., MALE, MM, 3.6 RND, ANGLED SPRING PUSH, HSF, HEATHER VIOLET	MM	17799	16693	HEATHER VIOLET
20523	KIT, MTP®, UNIV., MALE, MM MTP Elite®, 3.6 RND, ANGLED SPRING PUSH, HSF, HEATHER VIOLET	MM MTP Elite®	17800	16693	HEATHER VIOLET
20524	KIT, MTP®, UNIV., FEMALE, MM, 3.6 RND, ANGLED SPRING PUSH, HSF, MUNSELL VIOLET	MM or MM MTP Elite®	17795	16791	MUNSELL VIOLET
20525	KIT, MTP®, UNIV., MALE, MM, 3.6 RND, ANGLED SPRING PUSH, HSF, MUNSELL VIOLET	MM	17799	16791	MUNSELL VIOLET
20526	KIT, MTP®, UNIV., MALE, MM MTP Elite®, 3.6 RND, ANGLED SPRING PUSH, HSF, MUNSELL VIOLET	MM MTP Elite®	17800	16791	MUNSELL VIOLET
20527	KIT, MTP®, UNIV., FEMALE, MM, 3.6 RND, ANGLED SPRING PUSH, HSF, LIME	MM or MM MTP Elite®	17795	18829	LIME
20528	KIT, MTP®, UNIV., MALE, MM, 3.6 RND, ANGLED SPRING PUSH, HSF, LIME	MM	17799	18829	LIME
20529	KIT, MTP®, UNIV., MALE, MM MTP Elite®, 3.6 RND, ANGLED SPRING PUSH, HSF, LIME	MM MTP Elite®	17800	18829	LIME
20530	KIT, MTP®, UNIV., FEMALE, SM, 3.6 RND, ANGLED SPRING PUSH, HSF, GREEN	SM	17795	16007	GREEN
20531	KIT, MTP®, UNIV., MALE, SM, 3.6 RND, ANGLED SPRING PUSH, HSF, GREEN	SM	17800	16007	GREEN
20532	KIT, MTP®, UNIV., FEMALE, SM MTP Elite®, 3.6 RND, ANGLED SPRING PUSH, HSF, YELLOW	SM MTP Elite®	17795	16918	YELLOW
20533	KIT, MTP®, UNIV., MALE, SM MTP Elite®, 3.6 RND, ANGLED SPRING PUSH, HSF, YELLOW	SM MTP Elite®	17801	16918	YELLOW

NOTES:

1. MALE CONNECTOR KIT HAS PIN CLAMP ASSEMBLY, FEMALE CONNECTOR KIT HAS FEMALE PIN SPACER

FERRULE / BOOT KIT SHOWN FOR REFERENCE ONLY, MUST BE PURCHASED SEPARATELY



USCONEC LTD. PROPRIETARY			
THIS DOCUMENT AND THE ASSOCIATED DATA CONTAIN RESTRICTED INFORMATION THAT IS USCONEC LTD. PROPERTY. DISCLOSE OR DUPLICATE FOR OTHERS ONLY AS AUTHORIZED BY USCONEC LTD.			
Material:			
REV	DATE	DESCRIPTION	ECN
X1	5/18/20	----	2213-mm
A	5/20/20	INITIAL RELEASE	

CUSTOMER DRAWING

DIMENSIONS FOR REFERENCE ONLY

THIRD ANGLE PROJECTION



METRIC/mm

▲ DENOTES CRITICAL DIMENSION

USCONEC

Hickory, NC
800-769-0944
www.usconec.com

TITLE
KIT, MTP® CONN., UNIV., 3.4 - 3.8 mm RND CBL, ANGLED SPRING PUSH, HIGH SPRING FORCE

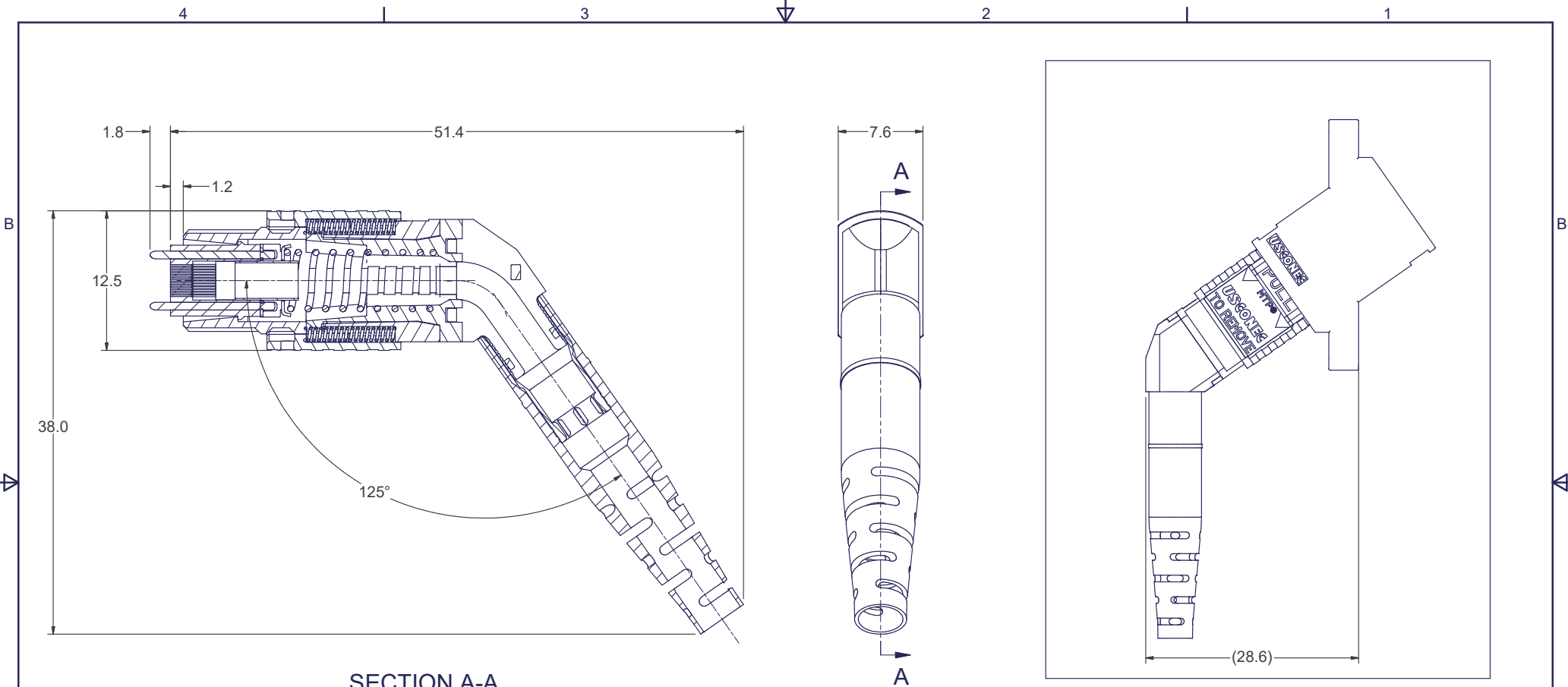
SIZE	S&M Part No.:	DWG NO.	REV
B	SEE TABLE	C20511	A
SCALE	Drafter	Date:	SHEET
N.T.S.	M.McCROSKEY	2/13/2020	1 OF 2

4

3

2

1



USCONEC LTD. PROPRIETARY
THIS DOCUMENT AND THE ASSOCIATED DATA CONTAIN RESTRICTED INFORMATION THAT IS USCONEC LTD. PROPERTY. DISCLOSE OR DUPLICATE FOR OTHERS ONLY AS AUTHORIZED BY USCONEC LTD.

Material:

REV.	DATE	DESCRIPTION	ECN
		SEE SHEET 1	

CUSTOMER DRAWING

DIMENSIONS FOR REFERENCE ONLY

THIRD ANGLE PROJECTION

METRIC/mm

▲ DENOTES CRITICAL DIMENSION

USCONEC Hickory, NC
800-769-0944
www.usconec.com

TITLE
KIT, MTP® CONN., UNIV., 3.4 - 3.8 mm RND CBL,
ANGLED SPRING PUSH, HIGH SPRING FORCE

SIZE	S&M Part No.:	DWG NO.	REV
B	SEE SHEET 1	C20511	A
SCALE	Drafter	Date:	SHEET
N.T.S.	M.McCROSKEY	2/13/2020	2 OF 2