

4

3

2

1

Parts List

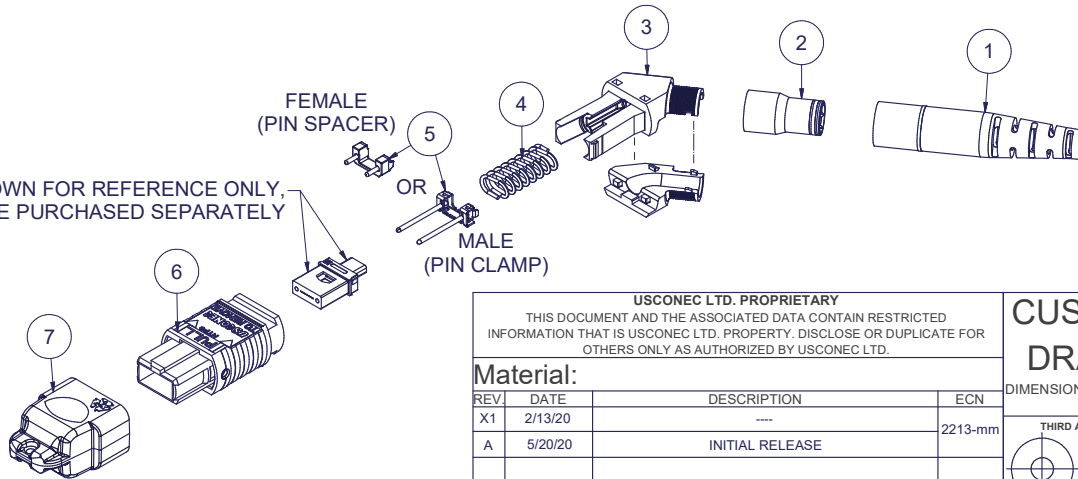
ITEM	DESCRIPTION	PART NUMBER	QTY	NOTES
1	BOOT, ROUND, MTP®, 3.6mm	12165	1	
2	CRIMP BAND	17776	1	
3	SPRING PUSH, UNIVERSAL, 2 PC, ANGLED	19973	1	
4	SPRING, UNIVERSAL, 9.8N, MTP®	17167	1	
5	PIN CLAMP or PIN SPACER	SEE KIT TABLE COLUMN A	1	NOTE 1
6	ASSEMBLY, HOUSING, MTP®	SEE KIT TABLE COLUMN B	1	
7	DUST CAP, MTP®	17242	1	

KIT P/N	KIT DESCRIPTION	PERFORMANCE	COLUMN A PIN CLAMP/ SPACER P/N	COLUMN B HSG ASSY P/N	HSG COLOR
20488	KIT, MTP®, UNIV., FEMALE, MM, 3.6 RND, ANGLED SPRING PUSH, BEIGE	MM	17795	MTP-A12-11	BEIGE
20489	KIT, MTP®, UNIV., MALE, MM, 3.6 RND, ANGLED SPRING PUSH, BEIGE	MM	17799	MTP-A12-11	BEIGE
20490	KIT, MTP®, UNIV., FEMALE, MM, 3.6 RND, ANGLED SPRING PUSH, BLACK	MM	17795	MTP-A12-02	BLACK
20491	KIT, MTP®, UNIV., MALE, MM, 3.6 RND, ANGLED SPRING PUSH, BLACK	MM	17799	MTP-A12-02	BLACK
20492	KIT, MTP®, UNIV., FEMALE, MM, 3.6 RND, ANGLED SPRING PUSH, AQUA	MM or MM MTP Elite®	17795	7871	AQUA
20493	KIT, MTP®, UNIV., MALE, MM, 3.6 RND, ANGLED SPRING PUSH, AQUA	MM	17799	7871	AQUA
20494	KIT, MTP®, UNIV., MALE, MM MTP Elite®, 3.6 RND, ANGLED SPRING PUSH, AQUA	MM MTP Elite®	17800	7871	AQUA
20495	KIT, MTP®, UNIV., FEMALE, MM, 3.6 RND, ANGLED SPRING PUSH, MAGENTA	MM or MM MTP Elite®	17795	13949	MAGENTA
20496	KIT, MTP®, UNIV., MALE, MM, 3.6 RND, ANGLED SPRING PUSH, MAGENTA	MM	17799	13949	MAGENTA
20497	KIT, MTP®, UNIV., MALE, MM MTP Elite®, 3.6 RND, ANGLED SPRING PUSH, MAGENTA	MM MTP Elite®	17800	13949	MAGENTA
20498	KIT, MTP®, UNIV., FEMALE, MM, 3.6 RND, ANGLED SPRING PUSH, HEATHER VIOLET	MM or MM MTP Elite®	17795	16693	HEATHER VIOLET
20499	KIT, MTP®, UNIV., MALE, MM, 3.6 RND, ANGLED SPRING PUSH, HEATHER VIOLET	MM	17799	16693	HEATHER VIOLET
20500	KIT, MTP®, UNIV., MALE, MM MTP Elite®, 3.6 RND, ANGLED SPRING PUSH, HEATHER VIOLET	MM MTP Elite®	17800	16693	HEATHER VIOLET
20501	KIT, MTP®, UNIV., FEMALE, MM, 3.6 RND, ANGLED SPRING PUSH, MUNSELL VIOLET	MM or MM MTP Elite®	17795	16791	MUNSELL VIOLET
20502	KIT, MTP®, UNIV., MALE, MM, 3.6 RND, ANGLED SPRING PUSH, MUNSELL VIOLET	MM	17799	16791	MUNSELL VIOLET
20503	KIT, MTP®, UNIV., MALE, MM MTP Elite®, 3.6 RND, ANGLED SPRING PUSH, MUNSELL VIOLET	MM MTP Elite®	17800	16791	MUNSELL VIOLET
20504	KIT, MTP®, UNIV., FEMALE, MM, 3.6 RND, ANGLED SPRING PUSH, LIME	MM or MM MTP Elite®	17795	18829	LIME
20505	KIT, MTP®, UNIV., MALE, MM, 3.6 RND, ANGLED SPRING PUSH, LIME	MM	17799	18829	LIME
20506	KIT, MTP®, UNIV., MALE, MM MTP Elite®, 3.6 RND, ANGLED SPRING PUSH, LIME	MM MTP Elite®	17800	18829	LIME
20507	KIT, MTP®, UNIV., FEMALE, SM, 3.6 RND, ANGLED SPRING PUSH, GREEN	SM	17795	16007	GREEN
20508	KIT, MTP®, UNIV., MALE, SM, 3.6 RND, ANGLED SPRING PUSH, GREEN	SM	17800	16007	GREEN
20509	KIT, MTP®, UNIV., FEMALE, SM MTP Elite®, 3.6 RND, ANGLED SPRING PUSH, YELLOW	SM MTP Elite®	17795	16918	YELLOW
20510	KIT, MTP®, UNIV., MALE, SM MTP Elite®, 3.6 RND, ANGLED SPRING PUSH, YELLOW	SM MTP Elite®	17801	16918	YELLOW

NOTES:

1. MALE CONNECTOR KIT HAS PIN CLAMP ASSEMBLY, FEMALE CONNECTOR KIT HAS FEMALE PIN SPACER

FERRULE / BOOT KIT SHOWN FOR REFERENCE ONLY, MUST BE PURCHASED SEPARATELY



USCONEC LTD. PROPRIETARY
THIS DOCUMENT AND THE ASSOCIATED DATA CONTAIN RESTRICTED INFORMATION THAT IS USCONEC LTD. PROPERTY. DISCLOSE OR DUPLICATE FOR OTHERS ONLY AS AUTHORIZED BY USCONEC LTD.

Material:

REV	DATE	DESCRIPTION	ECN
X1	2/13/20	----	2213-mm
A	5/20/20	INITIAL RELEASE	

▲ DENOTES CRITICAL DIMENSION

CUSTOMER DRAWING

USCONEC Hickory, NC
800-769-0944
www.usconec.com

TITLE
KIT, MTP® CONN., UNIV., 3.4 - 3.8 mm
ROUND CBL, ANGLED SPRING PUSH

SIZE: B S&M Part No.: SEE TABLE DWG NO: **C20488** REV: A

SCALE: N.T.S. Drafter: M.McCROSKY Date: 2/13/2020 SHEET 1 OF 2

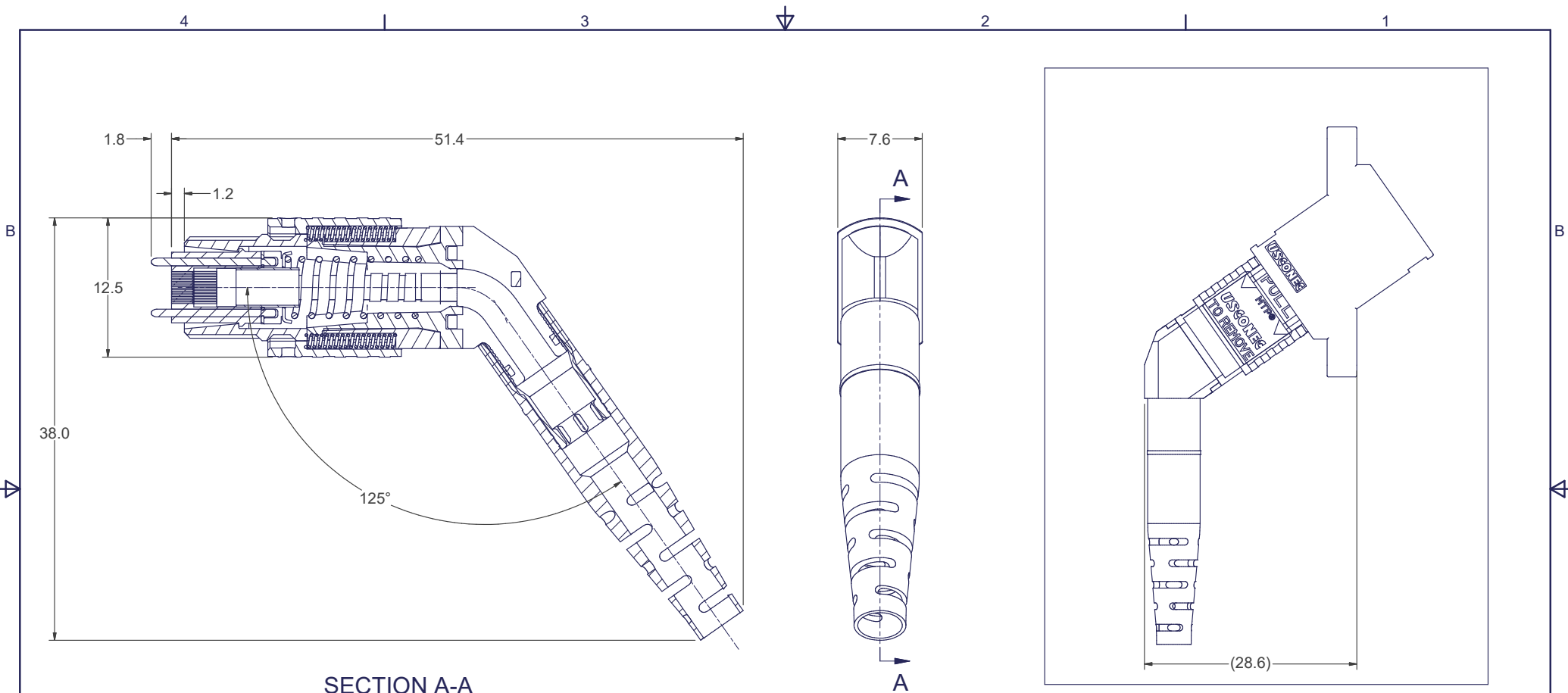
METRIC/mm

4

3

2

1



SECTION A-A

MTP® CONNECTOR SHOWN WITH ANGLED MTP® ADAPTER
(ANGLED MTP® ADAPTER SOLD SEPARATELY)

▲ DENOTES CRITICAL DIMENSION

USCONEC LTD. PROPRIETARY
THIS DOCUMENT AND THE ASSOCIATED DATA CONTAIN RESTRICTED INFORMATION THAT IS USCONEC LTD. PROPERTY. DISCLOSE OR DUPLICATE FOR OTHERS ONLY AS AUTHORIZED BY USCONEC LTD.

Material:

REV.	DATE	DESCRIPTION	ECN
		SEE SHEET 1	

CUSTOMER DRAWING

DIMENSIONS FOR REFERENCE ONLY

THIRD ANGLE PROJECTION

METRIC/mm

USCONEC

Hickory, NC
800-769-0944
www.usconec.com

TITLE
KIT, MTP® CONN., UNIV., 3.4 - 3.8 mm ROUND CBL, ANGLED SPRING PUSH

SIZE	S&M Part No.:	DWG NO.	REV
B	SEE SHEET 1	C20488	A
SCALE	Drafter	Date:	SHEET
N.T.S.	M.McCROSKEY	2/13/2020	2 OF 2

A

A

B

B

4

3

2

1

4

3

2

1