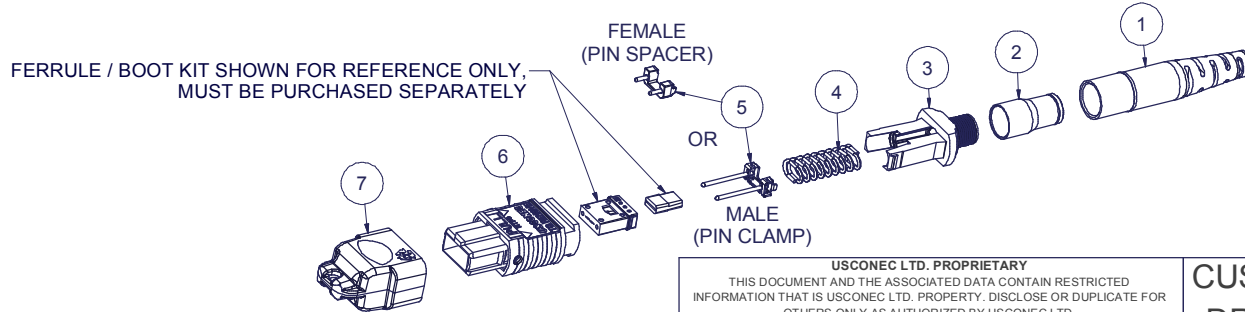


4					3			2		1		
Parts List					KIT P/N	KIT DESCRIPTION	PERFORMANCE	COLUMN A	COLUMN B	PIN CLAMP/SPACER P/N	HSG ASSY P/N	HSG ASSY COLOR
ITEM	DESCRIPTION	PART NUMBER	QTY	NOTES								
1	BOOT, ROUND	12165	1		20373	KIT, MTP®, UNIV., FEMALE, MM, 3.6mm RND, HSF, BEIGE	MM	17795	MTP-A12-11		BEIGE	
2	CRIMP BAND	16426	1		20374	KIT, MTP®, UNIV., MALE, MM, 3.6mm RND, HSF, BEIGE	MM	17799	MTP-A12-11		BEIGE	
3	SPRING PUSH, UNIVERSAL, 3.6 mm ROUND, MTP®	19738	1		20375	KIT, MTP®, UNIV., FEMALE, MM, 3.6mm RND, HSF, BLACK	MM	17795	MTP-A12-02		BLACK	
					20376	KIT, MTP®, UNIV., MALE, MM, 3.6mm RND, HSF, BLACK	MM	17799	MTP-A12-02		BLACK	
4	SPRING, UNIVERSAL, 20N	17698	1		20377	KIT, MTP®, UNIV., FEMALE, MM, 3.6mm RND, HSF, AQUA	MM or MM MTP Elite®	17795	7871		AQUA	
					20378	KIT, MTP®, UNIV., MALE, MM, 3.6mm RND, HSF, AQUA	MM	17799	7871		AQUA	
					20379	KIT, MTP®, UNIV., MALE, MM MTP Elite®, 3.6mm RND, HSF, AQUA	MM MTP Elite®	17800	7871		AQUA	
B 5	PIN CLAMP or PIN SPACER	SEE KIT TABLE COLUMN A	1	NOTE 1	20380	KIT, MTP®, UNIV., FEMALE, MM, 3.6mm RND, HSF, MAGENTA	MM or MM MTP Elite®	17795	13949		MAGENTA	
					20381	KIT, MTP®, UNIV., MALE, MM, 3.6mm RND, HSF, MAGENTA	MM	17799	13949		MAGENTA	
6	ASSEMBLY, HOUSING, MTP®	SEE KIT TABLE COLUMN B	1		20382	KIT, MTP®, UNIV., MALE, MM MTP Elite®, 3.6mm RND, HSF, MAGENTA	MM MTP Elite®	17800	13949		MAGENTA	
7	DUST CAP, MTP®	17242	1		20383	KIT, MTP®, UNIV., FEMALE, MM, 3.6mm RND, HSF, HEATHER VIOLET	MM or MM MTP Elite®	17795	16693		HEATHER VIOLET	
					20384	KIT, MTP®, UNIV., MALE, MM, 3.6mm RND, HSF, HEATHER VIOLET	MM	17799	16693		HEATHER VIOLET	
					20385	KIT, MTP®, UNIV., MALE, MM MTP Elite®, 3.6mm RND, HSF, HEATHER VIOLET	MM MTP Elite®	17800	16693		HEATHER VIOLET	
					20386	KIT, MTP®, UNIV., FEMALE, MM, 3.6mm RND, HSF, MUNSELL VIOLET	MM or MM MTP Elite®	17795	16791		MUNSELL VIOLET	
					20387	KIT, MTP®, UNIV., MALE, MM, 3.6mm RND, HSF, MUNSELL VIOLET	MM	17799	16791		MUNSELL VIOLET	
					20388	KIT, MTP®, UNIV., MALE, MM MTP Elite®, 3.6mm RND, HSF, MUNSELL VIOLET	MM MTP Elite®	17800	16791		MUNSELL VIOLET	
					20389	KIT, MTP®, UNIV., FEMALE, MM, 3.6mm RND, HSF, LIME	MM or MM MTP Elite®	17795	18829		LIME	
					20390	KIT, MTP®, UNIV., MALE, MM, 3.6mm RND, HSF, LIME	MM	17799	18829		LIME	
					20391	KIT, MTP®, UNIV., MALE, MM MTP Elite®, 3.6mm RND, HSF, LIME	MM MTP Elite®	17800	18829		LIME	
					20392	KIT, MTP®, UNIV., FEMALE, SM, 3.6mm RND, HSF, GREEN	SM	17795	16007		GREEN	
					20393	KIT, MTP®, UNIV., MALE, SM, 3.6mm RND, HSF, GREEN	SM	17800	16007		GREEN	
					20394	KIT, MTP®, UNIV., FEMALE, SM MTP Elite®, 3.6mm RND, HSF, YELLOW	SM MTP Elite®	17795	16918		YELLOW	
					20395	KIT, MTP®, UNIV., MALE, SM MTP Elite®, 3.6mm RND, HSF, YELLOW	SM MTP Elite®	17801	16918		YELLOW	

NOTES:
1. MALE CONNECTOR KIT HAS PIN CLAMP ASSEMBLY, FEMALE CONNECTOR KIT HAS FEMALE PIN SPACER



USCONEC LTD. PROPRIETARY
THIS DOCUMENT AND THE ASSOCIATED DATA CONTAIN RESTRICTED INFORMATION THAT IS USCONEC LTD. PROPERTY. DISCLOSE OR DUPLICATE FOR OTHERS ONLY AS AUTHORIZED BY USCONEC LTD.

Material:

REV	DATE	DESCRIPTION	ECN
X1	6/3/19	----	2218-mm
A	7/2/19	INITIAL RELEASE	

▲ DENOTES CRITICAL DIMENSION

CUSTOMER DRAWING

USCONEC Hickory, NC
800-769-0944
www.usconec.com

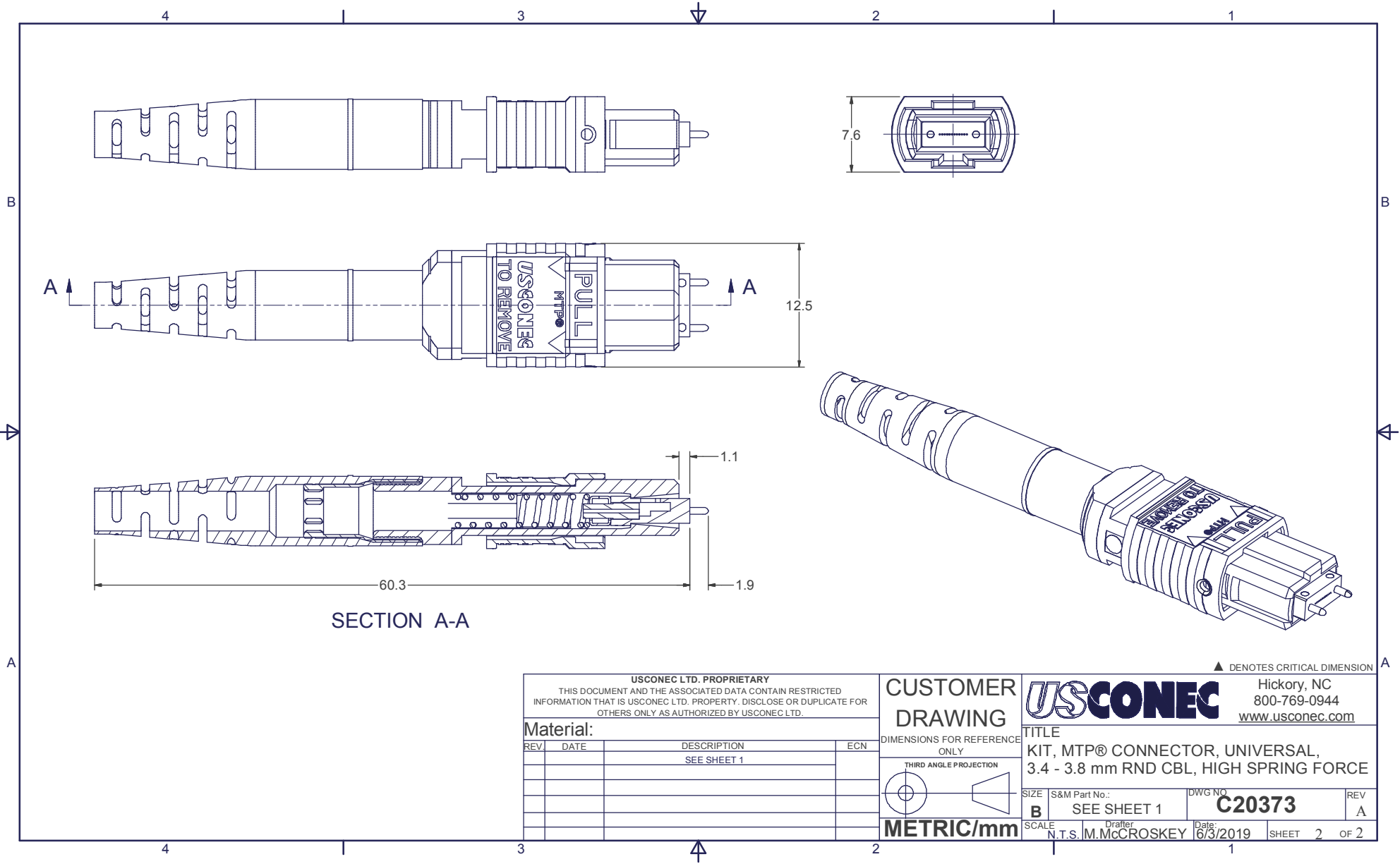
TITLE
KIT, MTP® CONNECTOR, UNIVERSAL,
3.4 - 3.8 mm RND CBL, HIGH SPRING FORCE

SIZE B S&M Part No.: SEE TABLE DWG NO. **C20373** REV A

SCALE N.T.S. Drafter M.McCROSKEY Date: 6/3/2019 SHEET 1 OF 2

THIRD ANGLE PROJECTION

METRIC/mm



SECTION A-A

USCONEC LTD. PROPRIETARY
 THIS DOCUMENT AND THE ASSOCIATED DATA CONTAIN RESTRICTED INFORMATION THAT IS USCONEC LTD. PROPERTY. DISCLOSE OR DUPLICATE FOR OTHERS ONLY AS AUTHORIZED BY USCONEC LTD.

Material:

REV	DATE	DESCRIPTION	ECN
		SEE SHEET 1	

CUSTOMER DRAWING

DIMENSIONS FOR REFERENCE ONLY

THIRD ANGLE PROJECTION

METRIC/mm

USCONEC Hickory, NC
 800-769-0944
www.usconec.com

TITLE
 KIT, MTP® CONNECTOR, UNIVERSAL,
 3.4 - 3.8 mm RND CBL, HIGH SPRING FORCE

SIZE	S&M Part No.:	DWG NO.	REV
B	SEE SHEET 1	C20373	A
SCALE	Drafter	Date:	SHEET
N.T.S.	M.McCROSKEY	6/3/2019	2 OF 2

▲ DENOTES CRITICAL DIMENSION