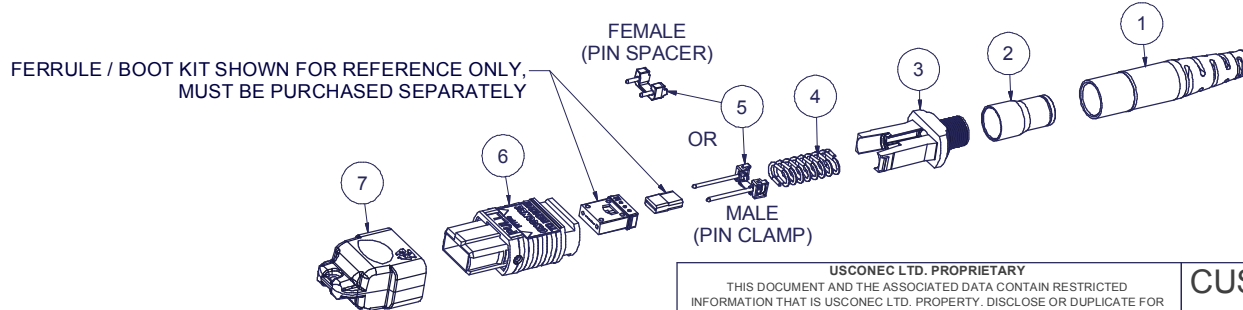


4				
Parts List				
ITEM	DESCRIPTION	PART NUMBER	QTY	NOTES
1	BOOT, ROUND	12165	1	
2	CRIMP BAND	16426	1	
3	SPRING PUSH, UNIVERSAL, 3.6 mm ROUND, MTP®	19738	1	
4	SPRING, UNIVERSAL, 9.8N, MTP®	17167	1	
5	PIN CLAMP or PIN SPACER	SEE KIT TABLE COLUMN A	1	NOTE 1
6	ASSEMBLY, HOUSING, MTP®	SEE KIT TABLE COLUMN B	1	
7	DUST CAP, MTP®	17242	1	

NOTES:

1. MALE CONNECTOR KIT HAS PIN CLAMP ASSEMBLY, FEMALE CONNECTOR KIT HAS FEMALE PIN SPACER

3			2		1	
KIT P/N	KIT DESCRIPTION	PERFORMANCE	COLUMN A PIN CLAMP/SPACER P/N	COLUMN B HSG ASSY P/N	HSG ASSY COLOR	
20350	KIT, MTP®, UNIV., FEMALE, MM, 3.6mm RND, BEIGE	MM	17795	MTP-A12-11	BEIGE	
20351	KIT, MTP®, UNIV., MALE, MM, 3.6mm RND, BEIGE	MM	17799	MTP-A12-11	BEIGE	
20352	KIT, MTP®, UNIV., FEMALE, MM, 3.6mm RND, BLACK	MM	17795	MTP-A12-02	BLACK	
20353	KIT, MTP®, UNIV., MALE, MM, 3.6mm RND, BLACK	MM	17799	MTP-A12-02	BLACK	
20354	KIT, MTP®, UNIV., FEMALE, MM, 3.6mm RND, AQUA	MM or MM MTP Elite®	17795	7871	AQUA	
20355	KIT, MTP®, UNIV., MALE, MM, 3.6mm RND, AQUA	MM	17799	7871	AQUA	
20356	KIT, MTP®, UNIV., MALE, MM MTP Elite®, 3.6mm RND, AQUA	MM MTP Elite®	17800	7871	AQUA	
20357	KIT, MTP®, UNIV., FEMALE, MM, 3.6mm RND, MAGENTA	MM or MM MTP Elite®	17795	13949	MAGENTA	
20358	KIT, MTP®, UNIV., MALE, MM, 3.6mm RND, MAGENTA	MM	17799	13949	MAGENTA	
20359	KIT, MTP®, UNIV., MALE, MM MTP Elite®, 3.6mm RND, MAGENTA	MM MTP Elite®	17800	13949	MAGENTA	
20360	KIT, MTP®, UNIV., FEMALE, MM, 3.6mm RND, HEATHER VIOLET	MM or MM MTP Elite®	17795	16693	HEATHER VIOLET	
20361	KIT, MTP®, UNIV., MALE, MM, 3.6mm RND, HEATHER VIOLET	MM	17799	16693	HEATHER VIOLET	
20362	KIT, MTP®, UNIV., MALE, MM MTP Elite®, 3.6mm RND, HEATHER VIOLET	MM MTP Elite®	17800	16693	HEATHER VIOLET	
20363	KIT, MTP®, UNIV., FEMALE, MM, 3.6mm RND, MUNSELL VIOLET	MM or MM MTP Elite®	17795	16791	MUNSELL VIOLET	
20364	KIT, MTP®, UNIV., MALE, MM, 3.6mm RND, MUNSELL VIOLET	MM	17799	16791	MUNSELL VIOLET	
20365	KIT, MTP®, UNIV., MALE, MM MTP Elite®, 3.6mm RND, MUNSELL VIOLET	MM MTP Elite®	17800	16791	MUNSELL VIOLET	
20366	KIT, MTP®, UNIV., FEMALE, MM, 3.6mm RND, LIME	MM or MM MTP Elite®	17795	18829	LIME	
20367	KIT, MTP®, UNIV., MALE, MM, 3.6mm RND, LIME	MM	17799	18829	LIME	
20368	KIT, MTP®, UNIV., MALE, MM MTP Elite®, 3.6mm RND, LIME	MM MTP Elite®	17800	18829	LIME	
20369	KIT, MTP®, UNIV., FEMALE, SM, 3.6mm RND, GREEN	SM	17795	16007	GREEN	
20370	KIT, MTP®, UNIV., MALE, SM, 3.6mm RND, GREEN	SM	17800	16007	GREEN	
20371	KIT, MTP®, UNIV., FEMALE, SM MTP Elite®, 3.6mm RND, YELLOW	SM MTP Elite®	17795	16918	YELLOW	
20372	KIT, MTP®, UNIV., MALE, SM MTP Elite®, 3.6mm RND, YELLOW	SM MTP Elite®	17801	16918	YELLOW	



USCONEC LTD. PROPRIETARY
THIS DOCUMENT AND THE ASSOCIATED DATA CONTAIN RESTRICTED INFORMATION THAT IS USCONEC LTD. PROPERTY. DISCLOSE OR DUPLICATE FOR OTHERS ONLY AS AUTHORIZED BY USCONEC LTD.

Material:

REV	DATE	DESCRIPTION	ECN
X1	6/3/19	----	2218-mm
A	7/2/19	INITIAL RELEASE	

▲ DENOTES CRITICAL DIMENSION

CUSTOMER DRAWING

USCONEC Hickory, NC
800-769-0944
www.usconec.com

TITLE
KIT, MTP® CONNECTOR, UNIVERSAL,
3.4 - 3.8 mm RND CBL

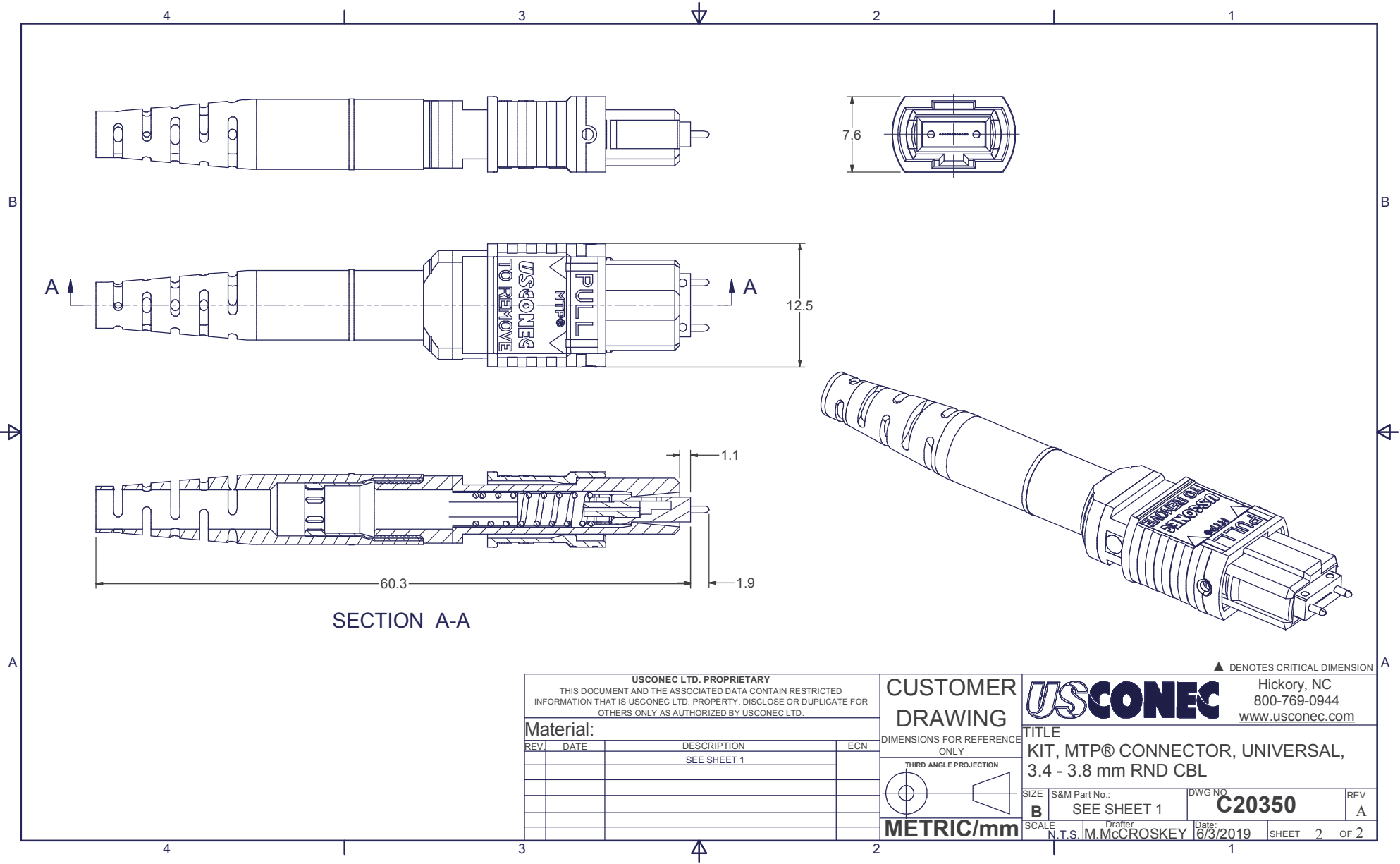
SIZE S&M Part No.:
B SEE TABLE

DWG NO.
C20350

SCALE N.T.S. Drafter M.McCROSKEY Date: 6/3/2019 SHEET 1 OF 2

THIRD ANGLE PROJECTION

METRIC/mm



USCONEC LTD. PROPRIETARY
THIS DOCUMENT AND THE ASSOCIATED DATA CONTAIN RESTRICTED INFORMATION THAT IS USCONEC LTD. PROPERTY. DISCLOSE OR DUPLICATE FOR OTHERS ONLY AS AUTHORIZED BY USCONEC LTD.

Material:

REV	DATE	DESCRIPTION	ECN
		SEE SHEET 1	

CUSTOMER DRAWING

DIMENSIONS FOR REFERENCE ONLY

THIRD ANGLE PROJECTION

METRIC/mm

▲ DENOTES CRITICAL DIMENSION

USCONEC Hickory, NC
800-769-0944
www.usconec.com

TITLE
KIT, MTP® CONNECTOR, UNIVERSAL,
3.4 - 3.8 mm RND CBL

SIZE	S&M Part No.:	DWG NO.	REV
B	SEE SHEET 1	C20350	A
SCALE	Drafter	Date:	SHEET
N.T.S.	M. McCROSKEY	6/3/2019	2 OF 2