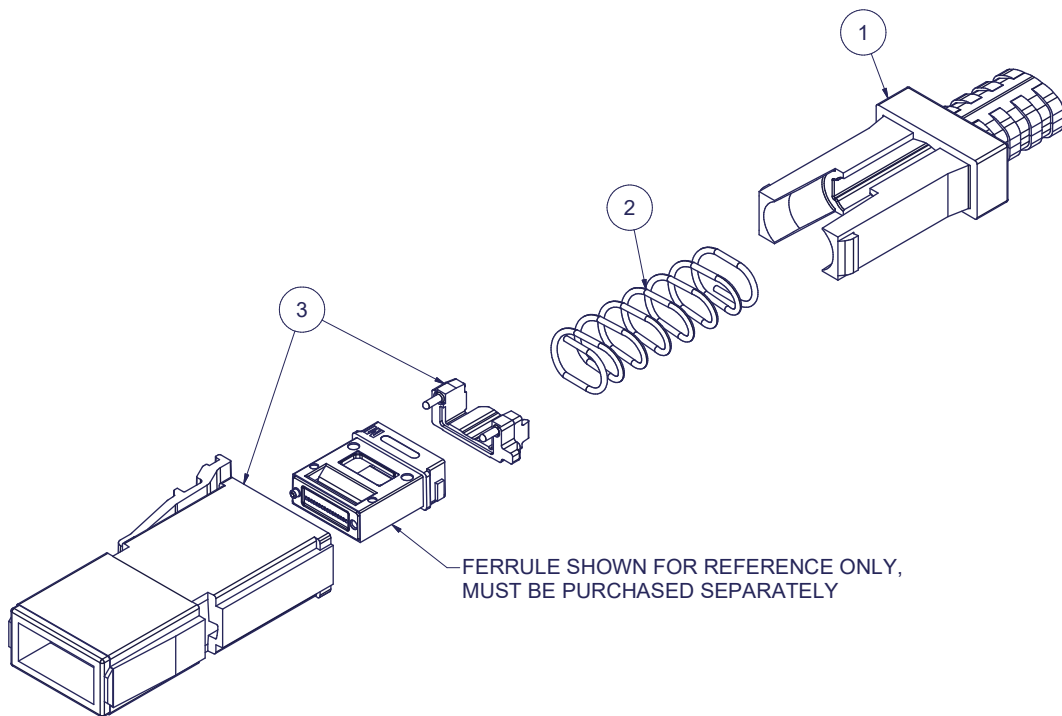


Parts List			
ITEM	DESCRIPTION	PART NUMBER	QTY
1	SPRING PUSH, BEND RELIEF	17644	1
2	SPRING, UNIVERSAL, 3.1N	19326	1
3	HOUSING W/ SPACER, MXC®, INTERNAL, BLINDMATE	SEE KIT TABLE, COLUMN A	1

KIT P/N	KIT DESCRIPTION	COLUMN A
22184	KIT, MXC® PLUG, INTERNAL, BLINDMATE, GRAY	22183



FERRULE SHOWN FOR REFERENCE ONLY,
MUST BE PURCHASED SEPARATELY

USCONEC LTD. PROPRIETARY
THIS DOCUMENT AND THE ASSOCIATED DATA CONTAIN RESTRICTED INFORMATION THAT IS USCONEC LTD. PROPERTY. DISCLOSE OR DUPLICATE FOR OTHERS ONLY AS AUTHORIZED BY USCONEC LTD.

Material:

REV	DATE	DESCRIPTION	ECN
X1	9/5/18	-	2167-mm
A	3/26/19	INITIAL RELEASE	
B1	3/26/20	OBS KIT P/N 19887 W/ BLACK HSG P/N 19877; ADD'D KIT P/N 22184 W/ GRAY HSG P/N 22183 TO TABLE	2272-mm
B	4/15/20	RELEASE	

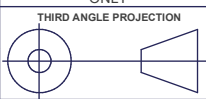
CUSTOMER DRAWING



Hickory, NC
800-769-0944
www.usconec.com

DIMENSIONS FOR REFERENCE ONLY

TITLE
KIT, MXC® PLUG, INTERNAL, BLINDMATE

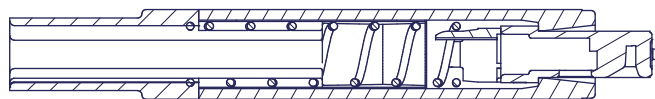
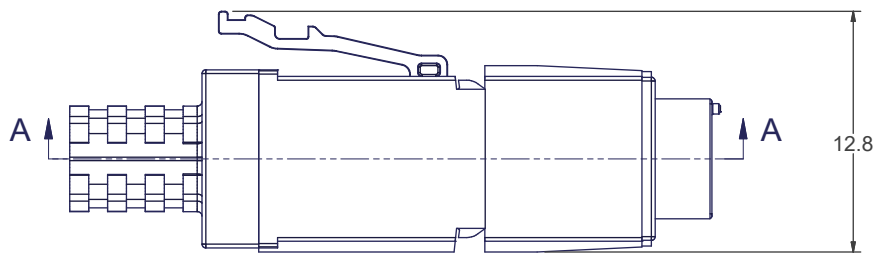
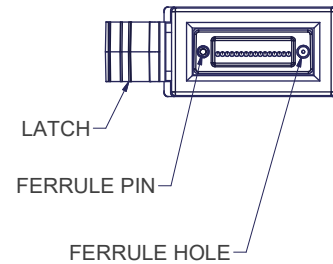
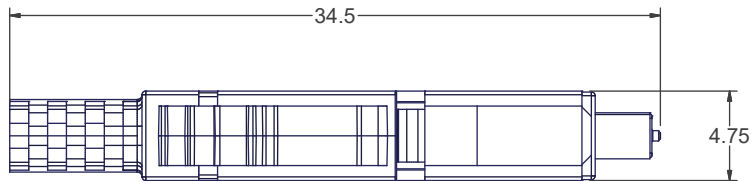


SIZE: **A3** S&M Part No.: SEE TABLE DWG NO: **C19887** REV: **B**

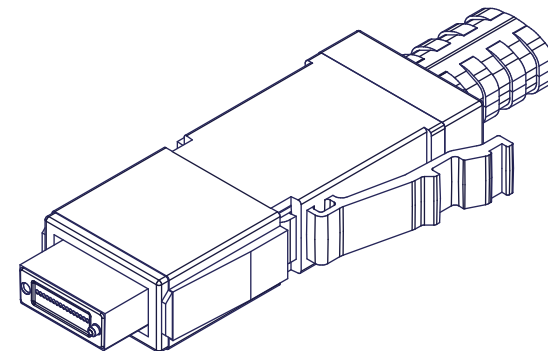
METRIC/mm

SCALE: N.T.S. Drafter: M.McCROSKEY Date: 9/5/2018 SHEET 1 OF 2

▲ DENOTES CRITICAL DIMENSION



SECTION A-A



▲ DENOTES CRITICAL DIMENSION

USCONEC LTD. PROPRIETARY
 THIS DOCUMENT AND THE ASSOCIATED DATA CONTAIN RESTRICTED
 INFORMATION THAT IS USCONEC LTD. PROPERTY. DISCLOSE OR DUPLICATE FOR
 OTHERS ONLY AS AUTHORIZED BY USCONEC LTD.

**CUSTOMER
 DRAWING**

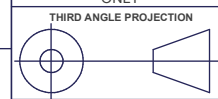


Hickory, NC
 800-769-0944
 www.usconec.com

Material:

REV	DATE	DESCRIPTION	ECN

DIMENSIONS FOR REFERENCE
 ONLY



TITLE
 KIT, MXC® PLUG, INTERNAL,
 BLINDMATE

SIZE **A3** S&M Part No.: SEE TABLE DWG NO. **C19887** REV **B**

METRIC/mm

SCALE N.T.S. Drafter **M.McCROSKEY** Date: **9/5/2018** SHEET **2** OF **2**