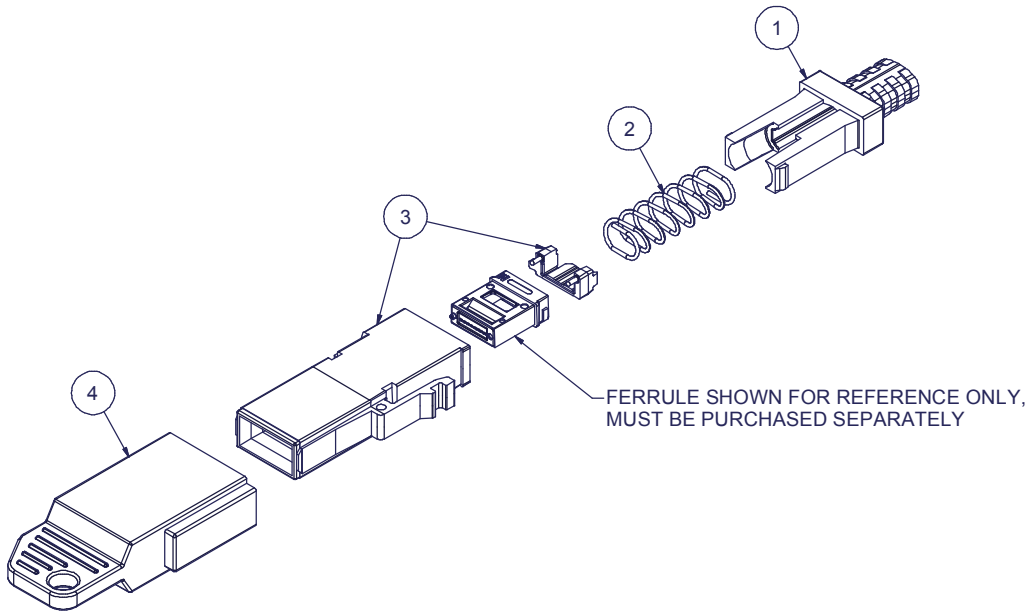


Parts List			
ITEM	DESCRIPTION	PART NUMBER	QTY
1	SPRING PUSH, BEND RELIEF	17644	1
2	SPRING, UNIVERSAL, 3.1N	19326	1
3	HOUSING W/ SPACER, MXC®	SEE KIT TABLE, COLUMN A	1
4	DUST CAP, for MXC® PLUG	SEE KIT TABLE, COLUMN B	1

KIT P/N	KIT DESCRIPTION	COLUMN A	COLUMN B
19886	KIT, MXC® PLUG, RIBBON, AQUA	19876	15784



USCONEC LTD. PROPRIETARY
THIS DOCUMENT AND THE ASSOCIATED DATA CONTAIN RESTRICTED INFORMATION THAT IS USCONEC LTD. PROPERTY. DISCLOSE OR DUPLICATE FOR OTHERS ONLY AS AUTHORIZED BY USCONEC LTD.

Material:

REV.	DATE	DESCRIPTION	ECN
X1	9/5/18	-	2167-mm
A	3/26/19	INITIAL RELEASE	

CUSTOMER DRAWING

DIMENSIONS FOR REFERENCE ONLY

THIRD ANGLE PROJECTION

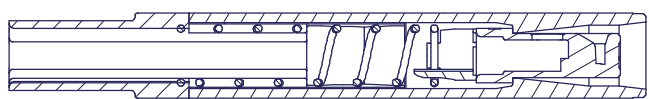
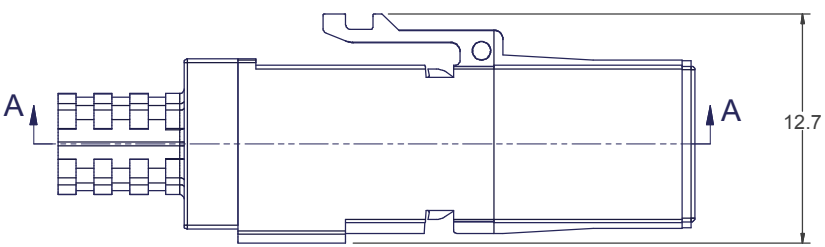
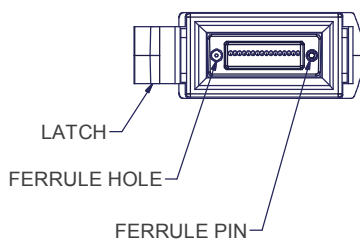
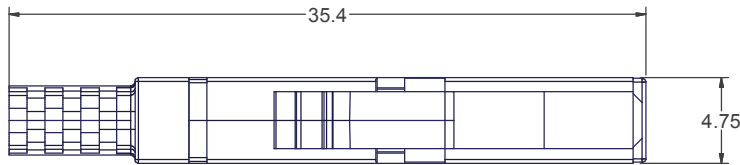
METRIC/mm

▲ DENOTES CRITICAL DIMENSION

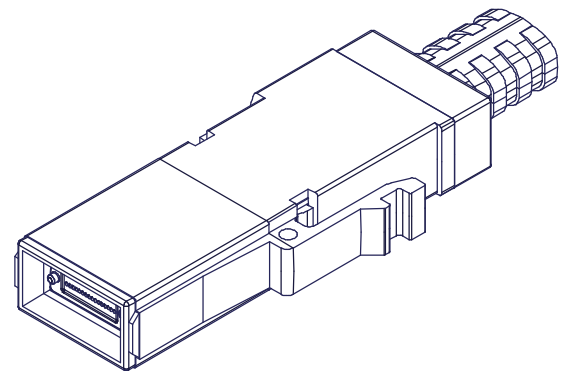
USCONEC Hickory, NC
800-769-0944
www.usconec.com

TITLE
KIT, MXC® PLUG, RIBBON

SIZE A3	S&M Part No.: SEE TABLE	DWG NO. C19886	REV A
SCALE N.T.S.	Drafter M. McCROSKEY	Date: 9/5/2018	SHEET 1 OF 2



SECTION A-A



▲ DENOTES CRITICAL DIMENSION

USCONEC LTD. PROPRIETARY
 THIS DOCUMENT AND THE ASSOCIATED DATA CONTAIN RESTRICTED
 INFORMATION THAT IS USCONEC LTD. PROPERTY. DISCLOSE OR DUPLICATE FOR
 OTHERS ONLY AS AUTHORIZED BY USCONEC LTD.

CUSTOMER
 DRAWING



Hickory, NC
 800-769-0944
www.usconec.com

Material:

REV.	DATE	DESCRIPTION	ECN

DIMENSIONS FOR REFERENCE
 ONLY

THIRD ANGLE PROJECTION



TITLE
 KIT, MXC® PLUG, RIBBON

SIZE A3	S&M Part No.: SEE TABLE	DWG NO. C19886	REV A
-------------------	----------------------------	--------------------------	----------

SCALE N.T.S.	Drafter M. McCROSKEY	Date: 9/5/2018	SHEET 2 OF 2
-----------------	-------------------------	-------------------	--------------

METRIC/mm