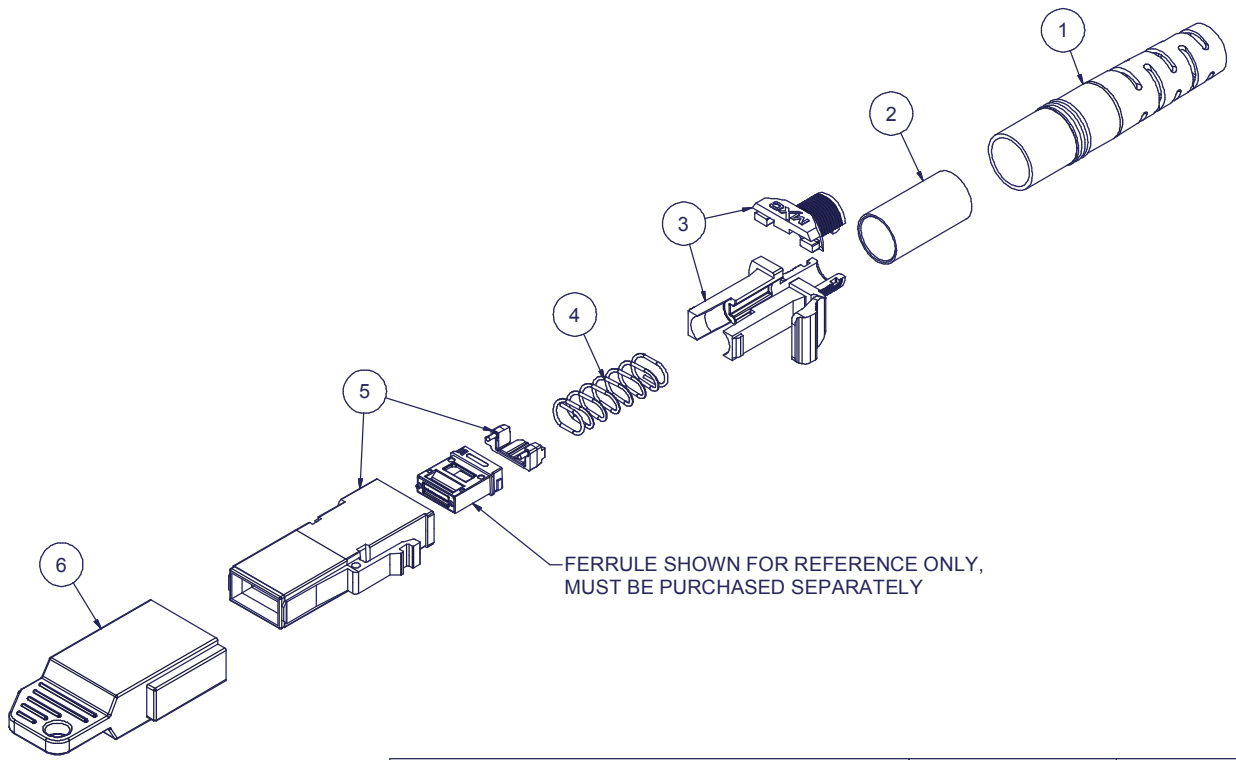


Parts List			
ITEM	DESCRIPTION	PART NUMBER	QTY
1	BOOT, ROUND	12978	1
2	CRIMP BAND	16429	1
3	SPRING PUSH W/ TRIGGER, 2 PC, MXC®	SEE KIT TABLE, COLUMN A	1
4	SPRING, UNIVERSAL, 3.1N	19326	1
5	HOUSING W/ SPACER, MXC®	SEE KIT TABLE, COLUMN B	1
6	DUST CAP, for MXC® PLUG	SEE KIT TABLE, COLUMN C	1

KIT P/N	KIT DESCRIPTION	COLUMN A SPRING PUSH P/N	COLUMN B HOUSING P/N	COLUMN C DUST CAP P/N
19885	KIT, MXC® CONNECTOR, 5.5mm RND CBL, AQUA	18048	19876	15784



USCONEC LTD. PROPRIETARY
THIS DOCUMENT AND THE ASSOCIATED DATA CONTAIN RESTRICTED INFORMATION THAT IS USCONEC LTD. PROPERTY. DISCLOSE OR DUPLICATE FOR OTHERS ONLY AS AUTHORIZED BY USCONEC LTD.

Material:

REV.	DATE	DESCRIPTION	ECN
X1	8/30/18	-	2167-mm
A	3/26/19	INITIAL RELEASE	

CUSTOMER DRAWING

DIMENSIONS FOR REFERENCE ONLY

THIRD ANGLE PROJECTION

METRIC/mm

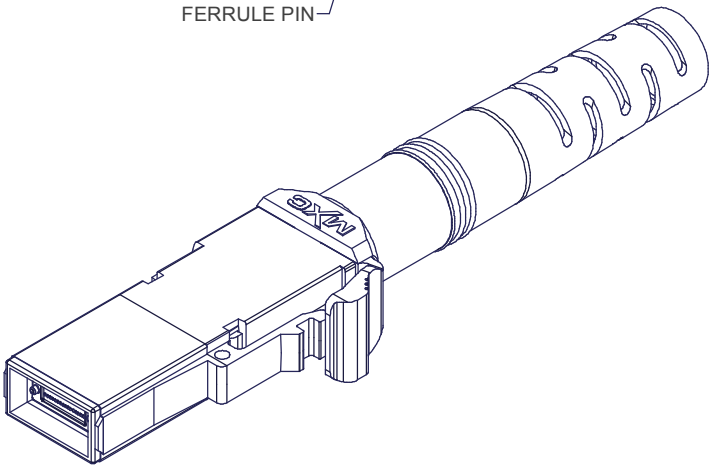
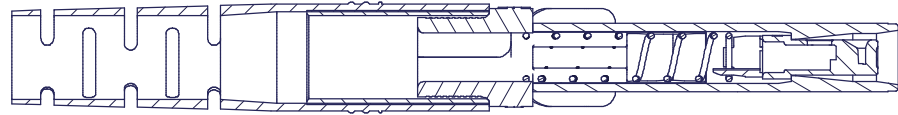
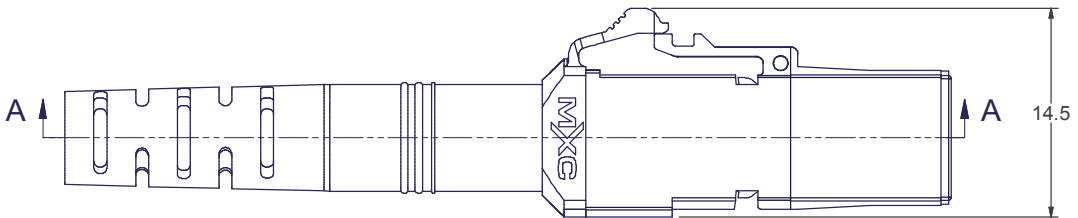
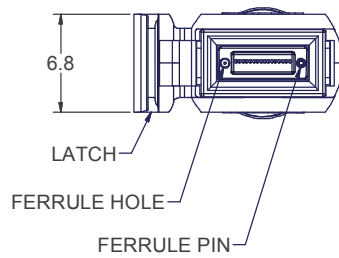
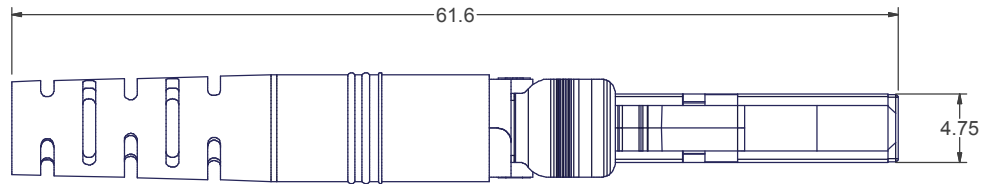
▲ DENOTES CRITICAL DIMENSION

Hickory, NC
800-769-0944
www.usconec.com

USCONEC

TITLE
KIT, MXC® CONNECTOR,
5.3 - 5.7mm ROUND CABLE

SIZE A3	S&M Part No.: SEE TABLE	DWG NO. C19885	REV A
SCALE N.T.S.	Drafter M. McCROSKEY	Date: 8/30/2018	SHEET 1 OF 2



SECTION A-A

▲ DENOTES CRITICAL DIMENSION

USCONEC LTD. PROPRIETARY
 THIS DOCUMENT AND THE ASSOCIATED DATA CONTAIN RESTRICTED
 INFORMATION THAT IS USCONEC LTD. PROPERTY. DISCLOSE OR DUPLICATE FOR
 OTHERS ONLY AS AUTHORIZED BY USCONEC LTD.

CUSTOMER
 DRAWING

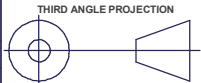


Hickory, NC
 800-769-0944
www.usconec.com

Material:

REV.	DATE	DESCRIPTION	ECN

DIMENSIONS FOR REFERENCE
 ONLY



TITLE
 KIT, MXC® CONNECTOR,
 5.3 - 5.7mm ROUND CABLE

SIZE A3	S&M Part No.: SEE TABLE	DWG NO. C19885	REV A
-------------------	----------------------------	--------------------------	----------

SCALE N.T.S.	Drafter M. McCROSKEY	Date: 8/30/2018	SHEET 2 OF 2
-----------------	-------------------------	--------------------	--------------

METRIC/mm