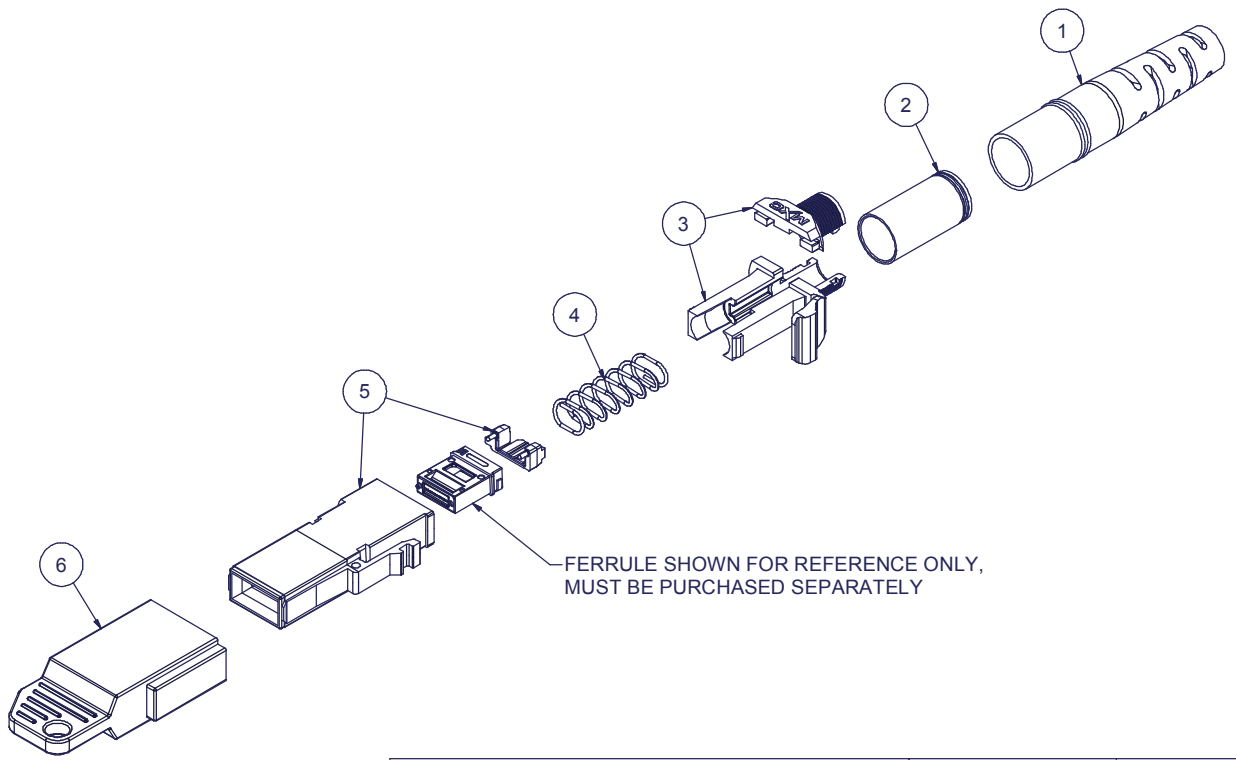


Parts List			
ITEM	DESCRIPTION	PART NUMBER	QTY
1	BOOT, ROUND	13168	1
2	CRIMP BAND	16427	1
3	SPRING PUSH W/ TRIGGER, 2 PC, MXC®	SEE KIT TABLE, COLUMN A	1
4	SPRING, UNIVERSAL, 3.1N	19326	1
5	HOUSING W/ SPACER, MXC®	SEE KIT TABLE, COLUMN B	1
6	DUST CAP, for MXC® PLUG	SEE KIT TABLE, COLUMN C	1

KIT P/N	KIT DESCRIPTION	COLUMN A	COLUMN B	COLUMN C
		SPRING PUSH P/N	HOUSING P/N	DUST CAP P/N
19881	KIT, MXC® CONNECTOR, 4.5mm RND CBL, AQUA	18048	19876	15784



USCONEC LTD. PROPRIETARY
THIS DOCUMENT AND THE ASSOCIATED DATA CONTAIN RESTRICTED INFORMATION THAT IS USCONEC LTD. PROPERTY. DISCLOSE OR DUPLICATE FOR OTHERS ONLY AS AUTHORIZED BY USCONEC LTD.

Material:

REV.	DATE	DESCRIPTION	ECN
X1	8/30/18	-	2167-mm
A	3/26/19	INITIAL RELEASE	

CUSTOMER DRAWING

DIMENSIONS FOR REFERENCE ONLY

THIRD ANGLE PROJECTION

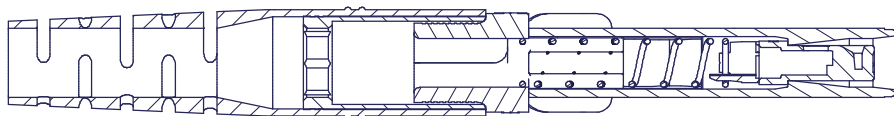
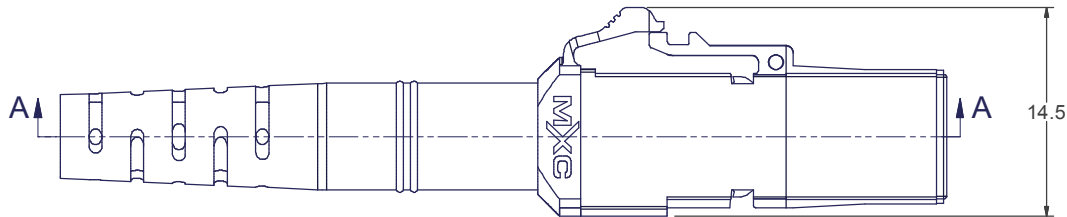
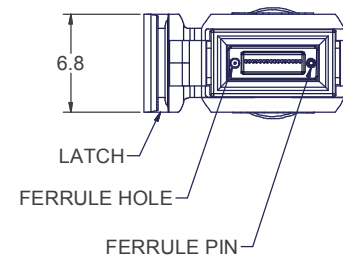
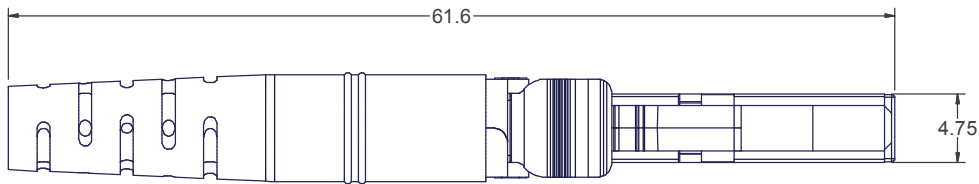
METRIC/mm

▲ DENOTES CRITICAL DIMENSION

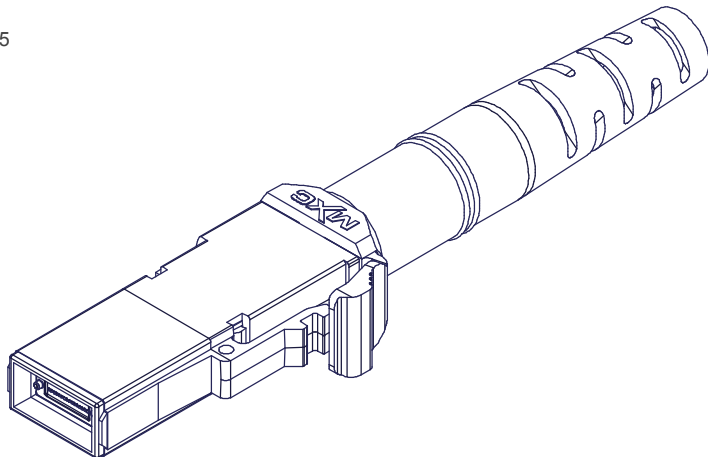
USCONEC Hickory, NC
800-769-0944
www.usconec.com

TITLE
KIT, MXC® CONNECTOR,
4.3 - 4.7mm ROUND CABLE

SIZE S&M Part No.:	DWG NO	REV
A3 SEE TABLE	C19881	A
SCALE N.T.S.	Drafter M.McCROSKEY	Date: 8/30/2018
		SHEET 1 OF 2



SECTION A-A



▲ DENOTES CRITICAL DIMENSION

USCONEC LTD. PROPRIETARY
 THIS DOCUMENT AND THE ASSOCIATED DATA CONTAIN RESTRICTED INFORMATION THAT IS USCONEC LTD. PROPERTY. DISCLOSE OR DUPLICATE FOR OTHERS ONLY AS AUTHORIZED BY USCONEC LTD.

Material:

REV.	DATE	DESCRIPTION	ECN

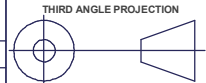
CUSTOMER DRAWING



Hickory, NC
 800-769-0944
www.usconec.com

DIMENSIONS FOR REFERENCE ONLY

TITLE
**KIT, MXC® CONNECTOR,
 4.3 - 4.7mm ROUND CABLE**



SIZE A3	S&M Part No.: SEE TABLE	DWG NO. C19881	REV A
-------------------	----------------------------	--------------------------	----------

METRIC/mm

SCALE N.T.S.	Drafter M. McCROSKEY	Date: 8/30/2018	SHEET 2 OF 2
-----------------	-------------------------	--------------------	--------------