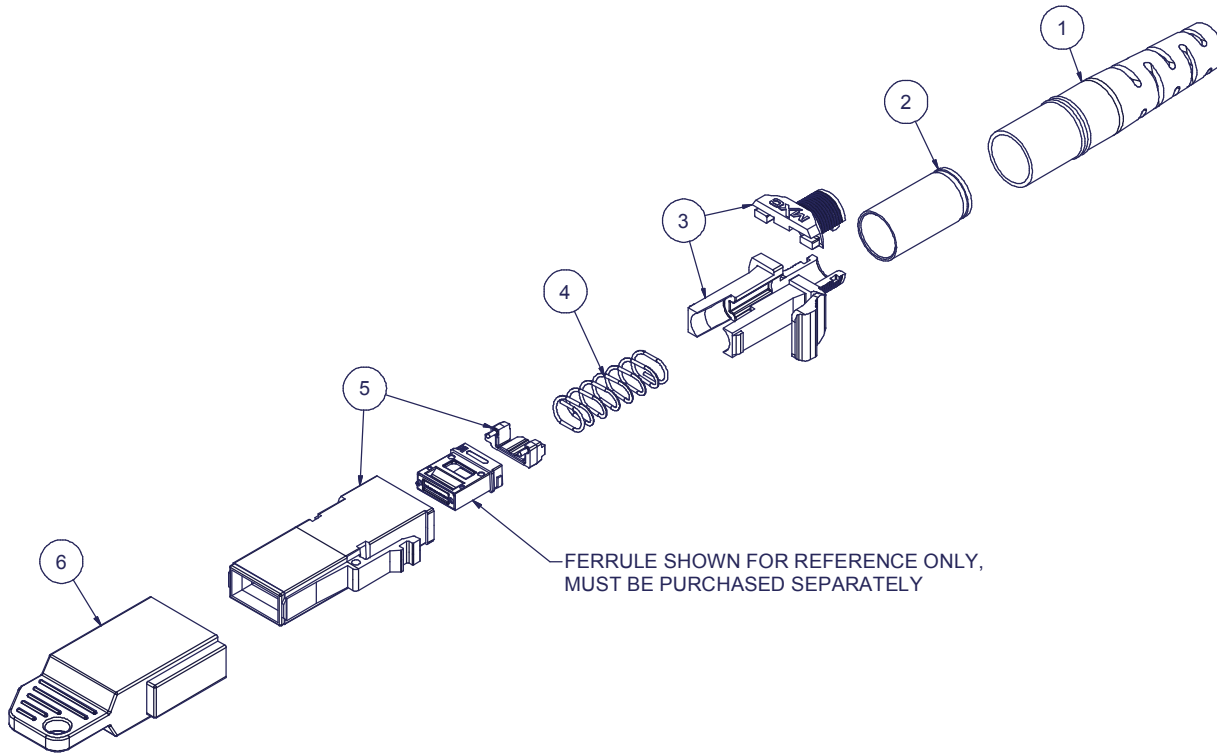


Parts List			
ITEM	DESCRIPTION	PART NUMBER	QTY
1	BOOT, ROUND	13168	1
2	CRIMP BAND	16543	1
3	SPRING PUSH W/ TRIGGER, 2 PC, MXC®	SEE KIT TABLE, COLUMN A	1
4	SPRING, UNIVERSAL, 3.1N	19326	1
5	HOUSING W/ SPACER, MXC®	SEE KIT TABLE, COLUMN B	1
6	DUST CAP, for MXC® PLUG	SEE KIT TABLE, COLUMN C	1

KIT P/N	KIT DESCRIPTION	COLUMN A	COLUMN B	COLUMN C
		SPRING PUSH P/N	HOUSING P/N	DUST CAP P/N
19880	KIT, MXC® CONNECTOR, 4.0mm RND CBL, AQUA	18048	19876	15784



USCONEC LTD. PROPRIETARY
THIS DOCUMENT AND THE ASSOCIATED DATA CONTAIN RESTRICTED INFORMATION THAT IS USCONEC LTD. PROPERTY. DISCLOSE OR DUPLICATE FOR OTHERS ONLY AS AUTHORIZED BY USCONEC LTD.

Material:

REV.	DATE	DESCRIPTION	ECN
X1	8/30/18	-	2167-mm
A	3/26/19	INITIAL RELEASE	

CUSTOMER DRAWING

DIMENSIONS FOR REFERENCE ONLY

THIRD ANGLE PROJECTION

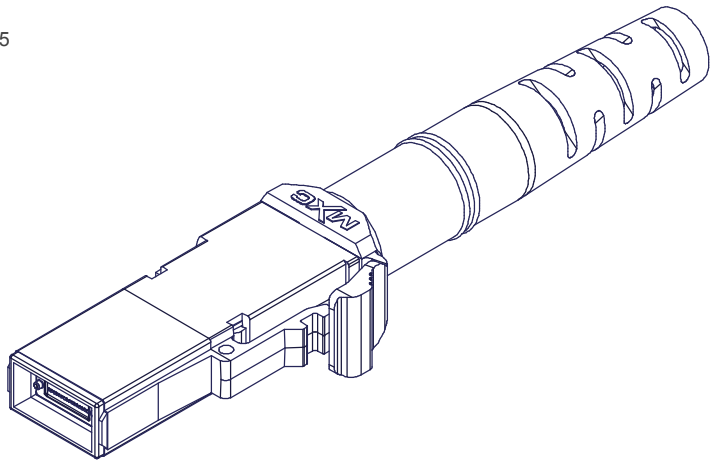
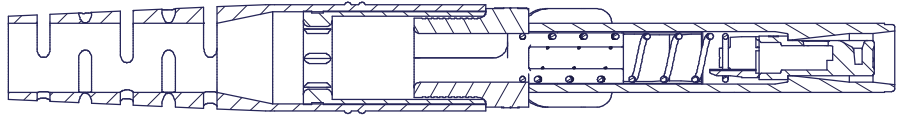
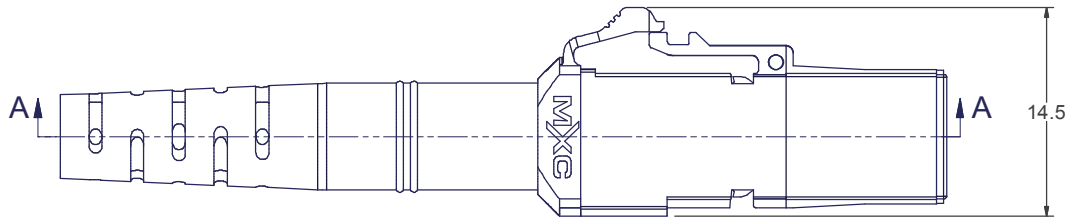
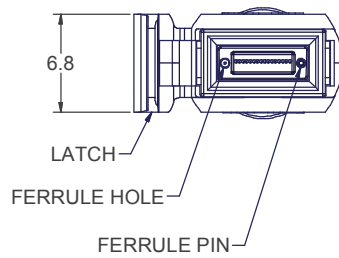
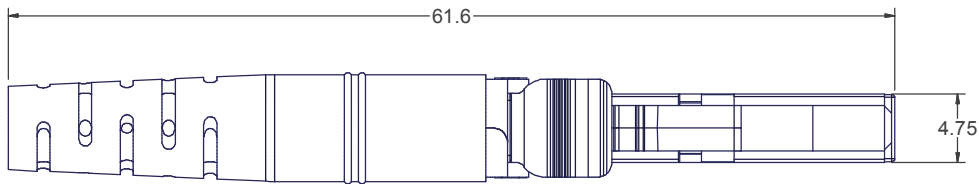
METRIC/mm

▲ DENOTES CRITICAL DIMENSION

USCONEC Hickory, NC
800-769-0944
www.usconec.com

TITLE
**KIT, MXC® CONNECTOR,
3.8 - 4.2mm ROUND CABLE**

SIZE A3	S&M Part No.: SEE TABLE	DWG NO. C19880	REV A
SCALE N.T.S.	Drafter M. McCROSKEY	Date: 8/30/2018	SHEET 1 OF 2



SECTION A-A

▲ DENOTES CRITICAL DIMENSION

USCONEC LTD. PROPRIETARY
 THIS DOCUMENT AND THE ASSOCIATED DATA CONTAIN RESTRICTED INFORMATION THAT IS USCONEC LTD. PROPERTY. DISCLOSE OR DUPLICATE FOR OTHERS ONLY AS AUTHORIZED BY USCONEC LTD.

Material:

REV.	DATE	DESCRIPTION	ECN

CUSTOMER DRAWING

DIMENSIONS FOR REFERENCE ONLY

THIRD ANGLE PROJECTION

METRIC/mm

USCONEC Hickory, NC
 800-769-0944
www.usconec.com

TITLE
**KIT, MXC® CONNECTOR,
 3.8 - 4.2mm ROUND CABLE**

SIZE A3	S&M Part No.: SEE TABLE	DWG NO. C19880	REV A
SCALE N.T.S.	Drafter M. McCROSKEY	Date: 8/30/2018	SHEET 2 OF 2