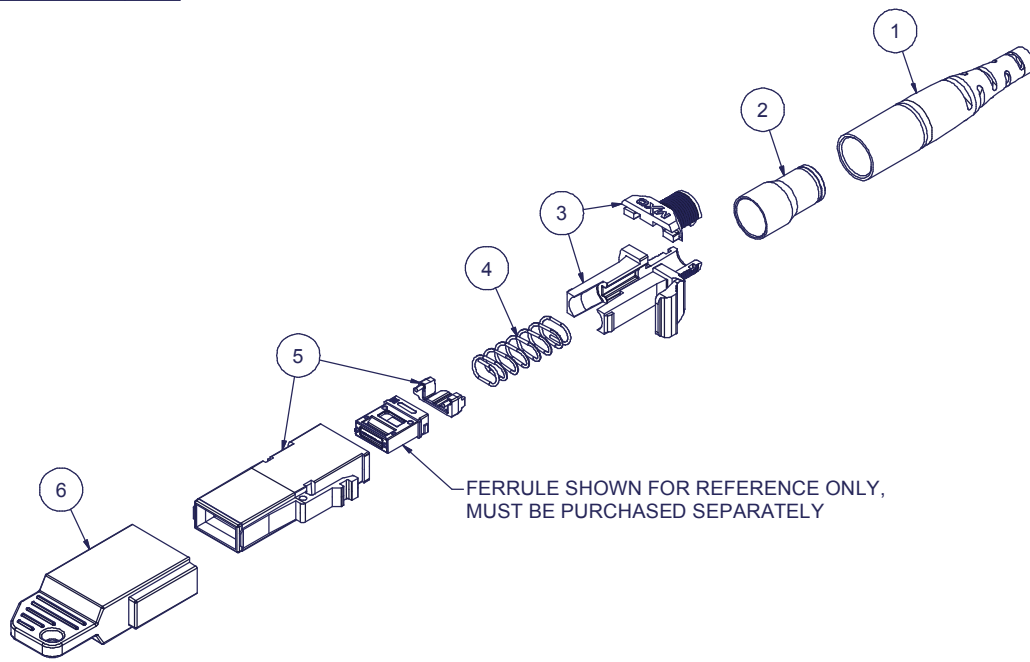


Parts List			
ITEM	DESCRIPTION	PART NUMBER	QTY
1	BOOT, ROUND	16377	1
2	CRIMP BAND	18365	1
3	SPRING PUSH W/ TRIGGER, 2 PC, MXC®	SEE KIT TABLE, COLUMN A	1
4	SPRING, UNIVERSAL, 3.1N	19326	1
5	HOUSING W/ SPACER, MXC®	SEE KIT TABLE, COLUMN B	1
6	DUST CAP, for MXC® PLUG	SEE KIT TABLE, COLUMN C	1

KIT P/N	KIT DESCRIPTION	COLUMN A SPRING PUSH P/N	COLUMN B HOUSING P/N	COLUMN C DUST CAP P/N
19878	KIT, MXC® CONNECTOR, 3.0mm RND CBL, AQUA	18048	19876	15784



**USCONEC LTD. PROPRIETARY**  
THIS DOCUMENT AND THE ASSOCIATED DATA CONTAIN RESTRICTED INFORMATION THAT IS USCONEC LTD. PROPERTY. DISCLOSE OR DUPLICATE FOR OTHERS ONLY AS AUTHORIZED BY USCONEC LTD.

**Material:** N/A

REV.	DATE	DESCRIPTION	ECN
X1	9/5/18	-	2167-mm
A	3/22/19	INITIAL RELEASE	

**CUSTOMER DRAWING**

DIMENSIONS FOR REFERENCE ONLY

THIRD ANGLE PROJECTION

**METRIC/mm**

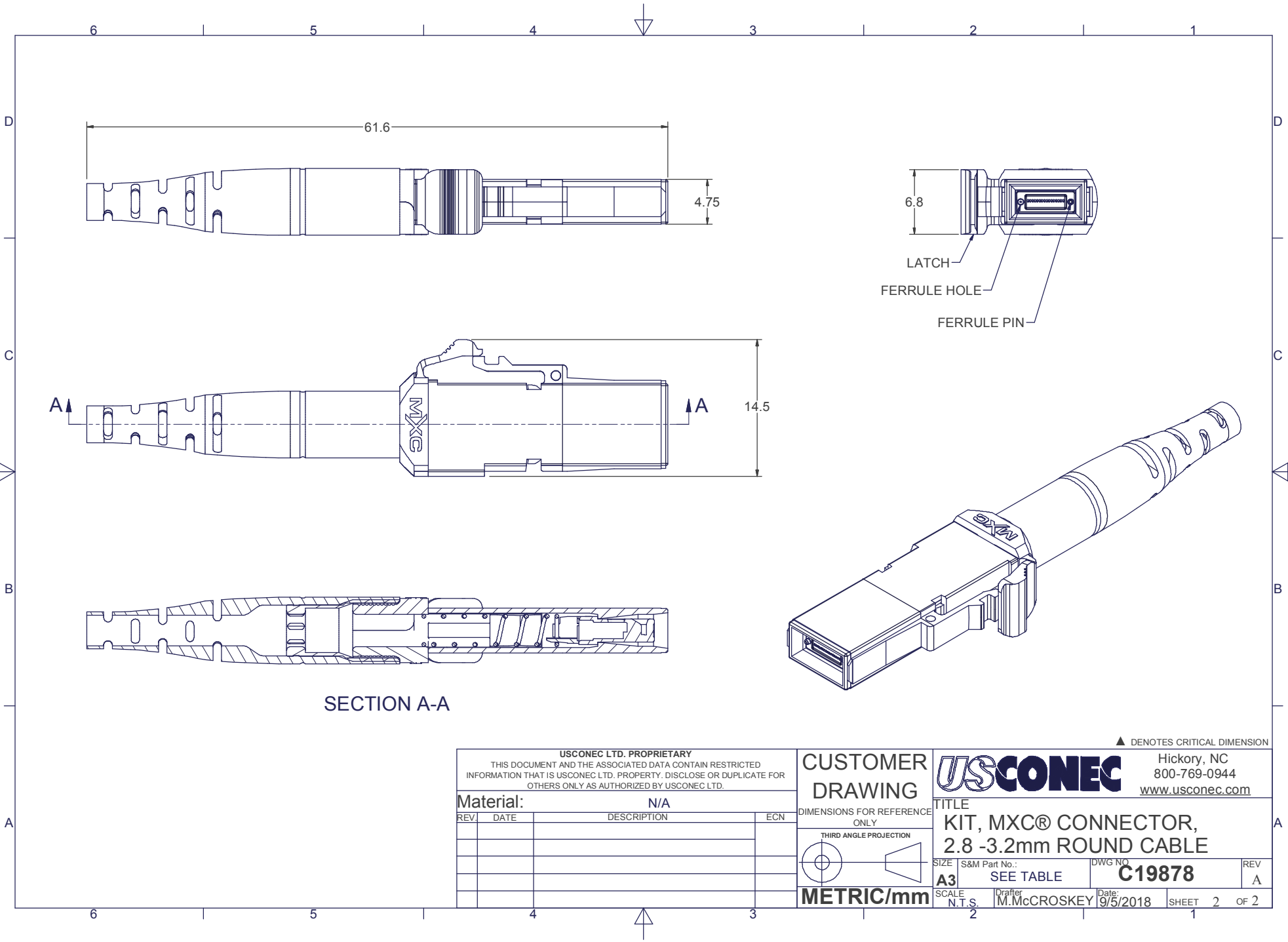
▲ DENOTES CRITICAL DIMENSION

Hickory, NC  
800-769-0944  
[www.usconec.com](http://www.usconec.com)

**USCONEC**

**TITLE**  
KIT, MXC® CONNECTOR,  
2.8 -3.2mm ROUND CABLE

SIZE <b>A3</b>	S&M Part No.: SEE TABLE	DWG NO. <b>C19878</b>	REV A
SCALE N.T.S.	Drafter M.McCROSKEY	Date: 9/5/2018	SHEET 1 OF 2



SECTION A-A

▲ DENOTES CRITICAL DIMENSION

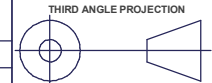
USCONEC LTD. PROPRIETARY  
 THIS DOCUMENT AND THE ASSOCIATED DATA CONTAIN RESTRICTED  
 INFORMATION THAT IS USCONEC LTD. PROPERTY. DISCLOSE OR DUPLICATE FOR  
 OTHERS ONLY AS AUTHORIZED BY USCONEC LTD.

Material: N/A

REV.	DATE	DESCRIPTION	ECN

CUSTOMER  
 DRAWING

DIMENSIONS FOR REFERENCE  
 ONLY



METRIC/mm



Hickory, NC  
 800-769-0944  
[www.usconec.com](http://www.usconec.com)

TITLE  
 KIT, MXC® CONNECTOR,  
 2.8 -3.2mm ROUND CABLE

SIZE A3	S&M Part No.: SEE TABLE	DWG NO. C19878	REV A
SCALE N.T.S.	Drafter M. McCROSKEY	Date: 9/5/2018	SHEET 2 OF 2