

8 7 6 5 4 3 2 1

D

D

C

C

B

B

A

A

FIBER COUNT	PART NUMBER	DESCRIPTION	ACTIVE CHANNELS	WAVELENGTH	DRAWING NUMBER
1X16	18318	Ferrule_PRIZM® MT_1X16_MM	16 CHANNELS, ROW C	-	C18318
	19883	Ferrule_PRIZM® MT_1X16_MM_850AR	16 CHANNELS, ROW C	850	C18318
2X16	18320	Ferrule_PRIZM® MT_2X16_MM	16 CHANNELS, ROWS B & C	-	C18320
	19884	Ferrule_PRIZM® MT_2X16_MM_850AR	16 CHANNELS, ROWS B & C	850	C18320

NOTES:

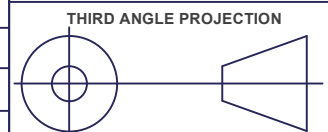
- FOR FERRULE DIMENSIONS AND MATERIAL REFER TO DRAWING NUMBER COLUMN IN TABLE.
- SEE TABLE ON SHEET 2 FOR DESIGNATION OF ACTIVE CHANNELS.

▲ DENOTES CRITICAL DIMENSION

USCONEC LTD. PROPRIETARY THIS DOCUMENT AND THE ASSOCIATED DATA CONTAIN RESTRICTED INFORMATION THAT IS USCONEC LTD. PROPERTY. DISCLOSE OR DUPLICATE FOR OTHERS ONLY AS AUTHORIZED BY USCONEC LTD.			
Material:		SEE NOTE 1	
REV.	DATE	DESCRIPTION	ECN
X4	8/8/19	ADDED 1X16 VARIANT	2168-bh
X5	8/29/19	ADDED P/NS	2168-bh
X6	1/8/20	ADDED P/NS	2168-bh
A	1/9/20	INITIAL RELEASE	2168-rr
B	7/20/22	OBSOLETE P/N's 21626 & 21627	2179-mm

CUSTOMER DRAWING

DIMENSIONS FOR REFERENCE ONLY



METRIC/mm

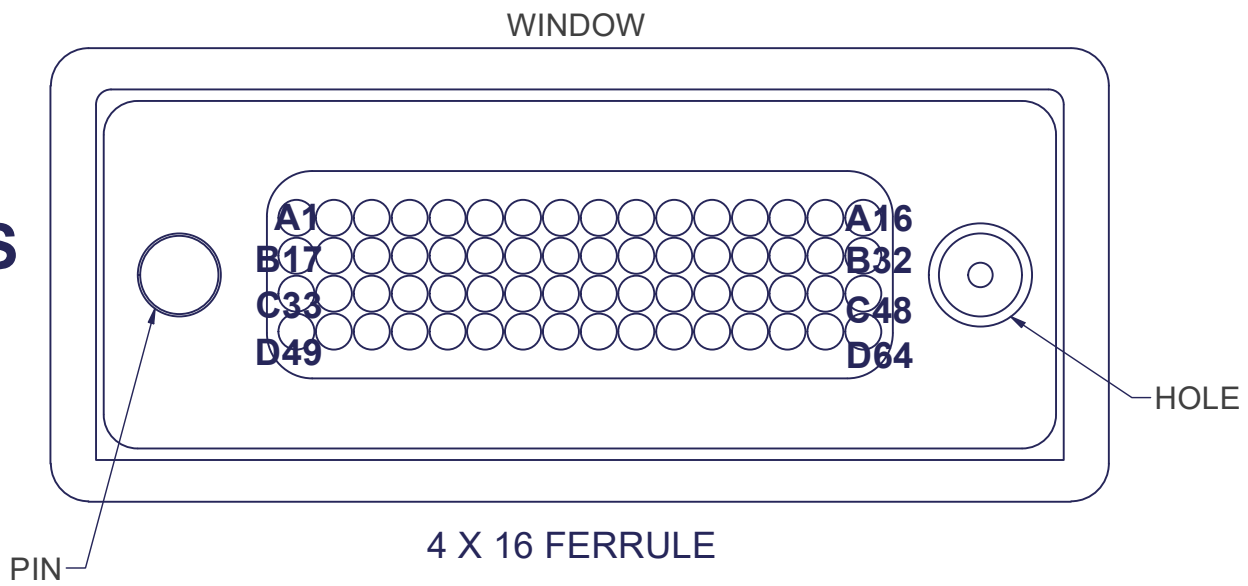
USCONEC Hickory, NC
800-769-0944
www.usconec.com

TITLE
FERRULE, PRIZM® MT, REFERENCE TABLE, NO SPRING SEAT

SIZE B	S&M Part No.: SEE TABLE	DWG NO. C19843	REV B
SCALE N.T.S.	Drafter R. RAWALD	Date: 7/16/2018	SHEET 1 OF 2

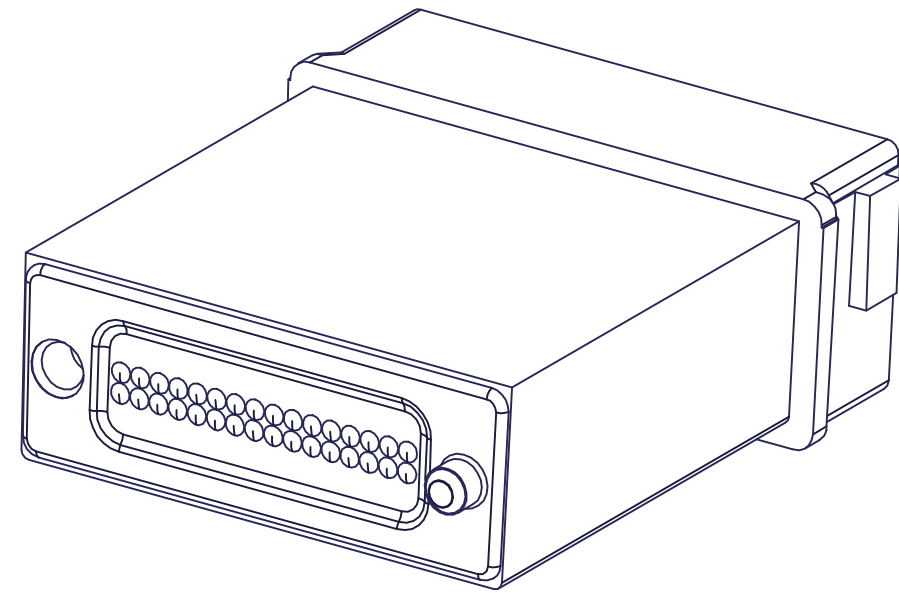
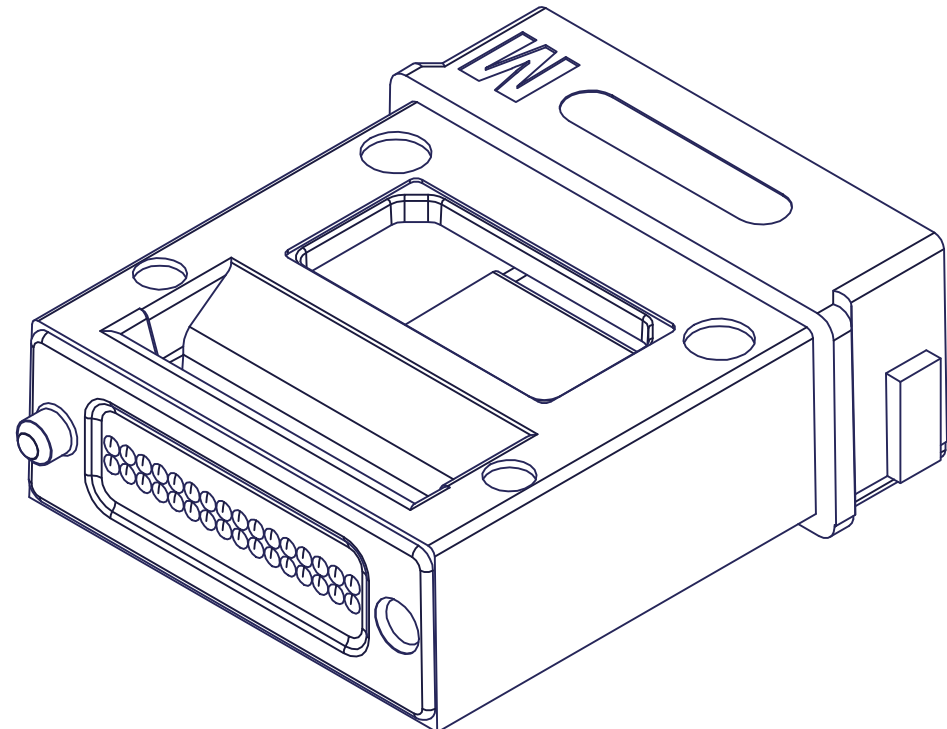
8 7 6 5 4 3 2 1

ROW & LENS POSITIONS



LENS POSITION DOESN'T CHANGE REGARDLESS OF THE NUMBER OF LENSES

- Use Row C for a 1 row Ferrule
- Use Rows B & C for a 2 row Ferrule
- Use Rows B, C, & D for a 3 row Ferrule



USCONEC LTD. PROPRIETARY
THIS DOCUMENT AND THE ASSOCIATED DATA CONTAIN RESTRICTED INFORMATION THAT IS USCONEC LTD. PROPERTY. DISCLOSE OR DUPLICATE FOR OTHERS ONLY AS AUTHORIZED BY USCONEC LTD.

Material: SEE NOTE 1

REV.	DATE	DESCRIPTION	ECN

CUSTOMER DRAWING

DIMENSIONS FOR REFERENCE ONLY

THIRD ANGLE PROJECTION

METRIC/mm

▲ DENOTES CRITICAL DIMENSION

USCONEC Hickory, NC
800-769-0944
www.usconec.com

TITLE
FERRULE, PRIZM® MT, REFERENCE TABLE, NO SPRING SEAT

SIZE B	S&M Part No.: SEE TABLE	DWG NO. C19843	REV B
SCALE N.T.S.	Drafter R. RAWALD	Date: 7/16/2018	SHEET 2 OF 2