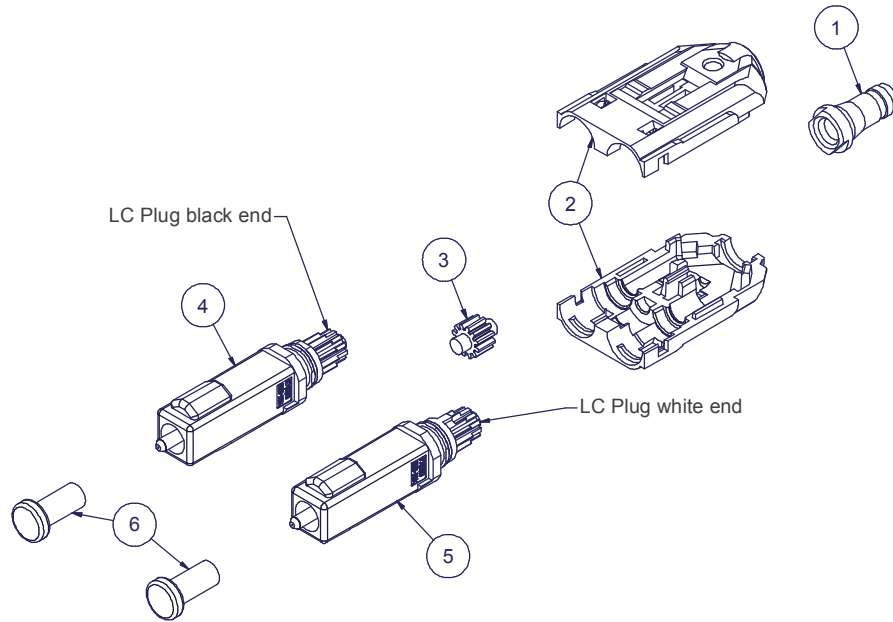


Parts List			
Item	Description	Part Number	QTY
1	SUPPORT RING	19489	1
2	BODY	19491	2
3	GEAR	19490	1
4	LC PLUG, BLACK END	SEE TABLE COLUMN A	1
5	LC PLUG, WHITE END	SEE TABLE COLUMN B	1
6	PROTECTIVE CAP	19508	2

SUB-ASSEMBLY P/N	DESCRIPTION	LC PLUG COLOR	COLUMN A	COLUMN B	FIBER HOLE DIAMETER
			LC PLUG BLACK END P/N	LC PLUG WHITE END P/N	
19684	SUB-ASSEMBLY, UNIBOOT, SM 125.5, + PROTECTIVE CAP	BLUE	19509	19510	0.1255 +0.001/-0.000
19685	SUB-ASSEMBLY, UNIBOOT, SM 125.5, APC, + PROTECTIVE CAP	GREEN	19530	19531	0.1255 +0.001/-0.000
19686	SUB-ASSEMBLY, UNIBOOT, MM 126, + PROTECTIVE CAP	BLACK	19513	19514	0.126 +0.003/-0.000



USCONEC LTD. PROPRIETARY
THIS DOCUMENT AND THE ASSOCIATED DATA CONTAIN RESTRICTED INFORMATION THAT IS USCONEC LTD. PROPERTY. DISCLOSE OR DUPLICATE FOR OTHERS ONLY AS AUTHORIZED BY USCONEC LTD.

Material:

REV.	DATE	DESCRIPTION	ECN
X1	3/29/18	---	2111-mm
A	6/11/18	INITIAL RELEASE	

CUSTOMER DRAWING

DIMENSIONS FOR REFERENCE ONLY

THIRD ANGLE PROJECTION

METRIC/mm

▲ DENOTES CRITICAL DIMENSION

USCONEC Hickory, NC
800-769-0944
www.usconec.com

TITLE SUB-ASSEMBLY, UNIBOOT

SIZE A3	S&M Part No.: SEE TABLE	DWG NO. C19684	REV A
SCALE N.T.S.	Drafter M. McCROSKEY	Date: 3/29/2018	SHEET 1 OF 1