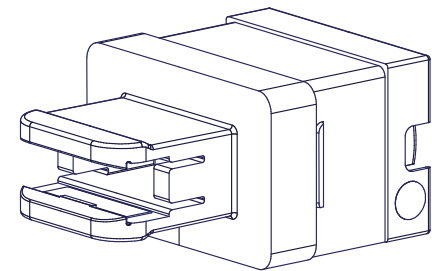
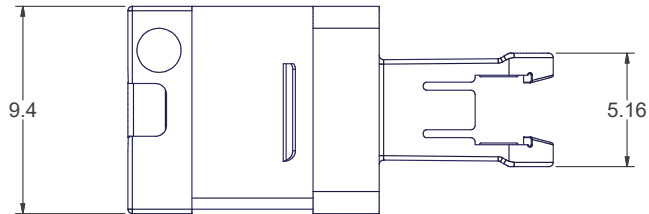
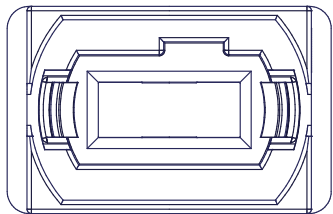
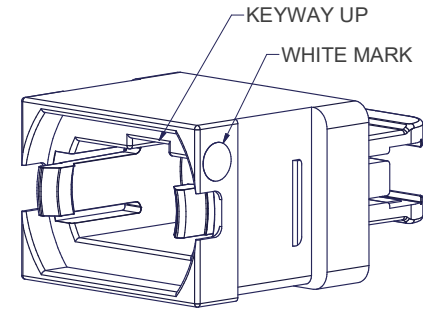
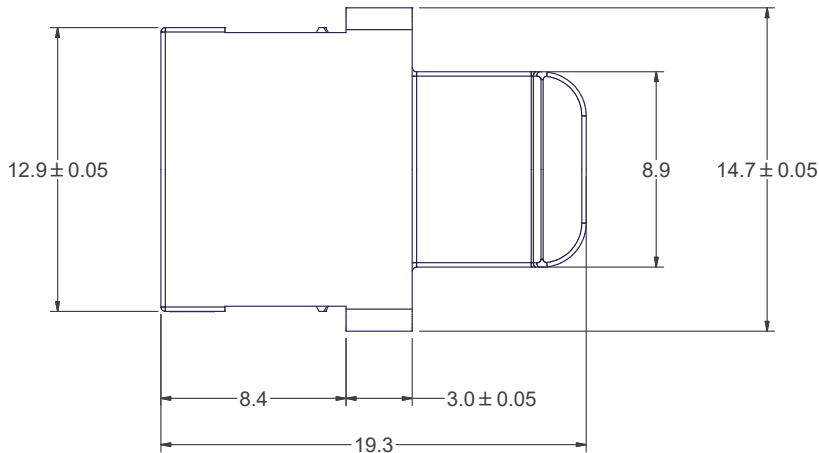


8 | 7 | 6 | 5 | 4 | 3 | 2 | 1

P/N	COLOR
19681	BLACK
19807	GREEN
22643	AQUA
22644	YELLOW



NOTES:

- 1. OPTIMIZED FOR USE WITH USCONEC MT FERRULES.

▲ DENOTES CRITICAL DIMENSION

USCONEC LTD. PROPRIETARY			
THIS DOCUMENT AND THE ASSOCIATED DATA CONTAIN RESTRICTED INFORMATION THAT IS USCONEC LTD. PROPERTY. DISCLOSE OR DUPLICATE FOR OTHERS ONLY AS AUTHORIZED BY USCONEC LTD.			
REV	DATE	DESCRIPTION	ECN
X1	8/1/18	-	KB
A	9/20/19	INITIAL RELEASE	2217-my
B	11/15/19	ADDED NOTE 1	2217-my
C	9/21/20	ADD'D P/N 22643 (AQUA) AND P/N 22644 (YELLOW) TO TABLE	2217-mm

Material: PEI / MAT'L SPEC #C10975

CUSTOMER DRAWING

DIMENSIONS FOR REFERENCE ONLY

THIRD ANGLE PROJECTION



METRIC/mm



Hickory, NC
800-769-0944
www.usconec.com

TITLE
ADAPTER, MT TO MTP-16™, SC FOOTPRINT

SIZE B	S&M Part No.: SEE TABLE	DWG NO. C19681	REV C
SCALE N.T.S.	Drafter K. BAER	Date: 8/1/2018	SHEET 1 OF 1

8 | 7 | 6 | 5 | 4 | 3 | 2 | 1