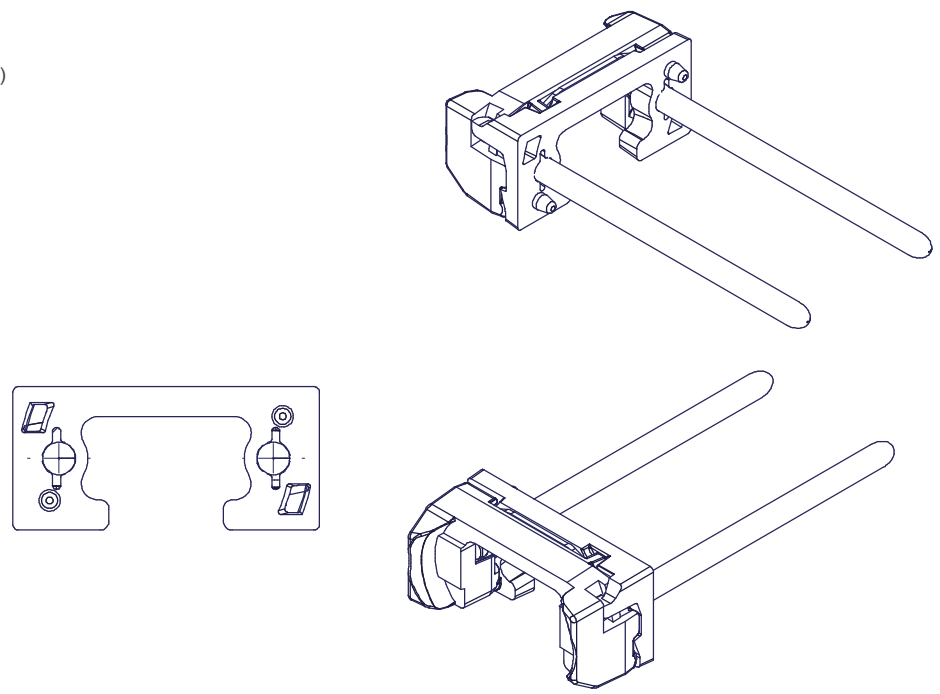
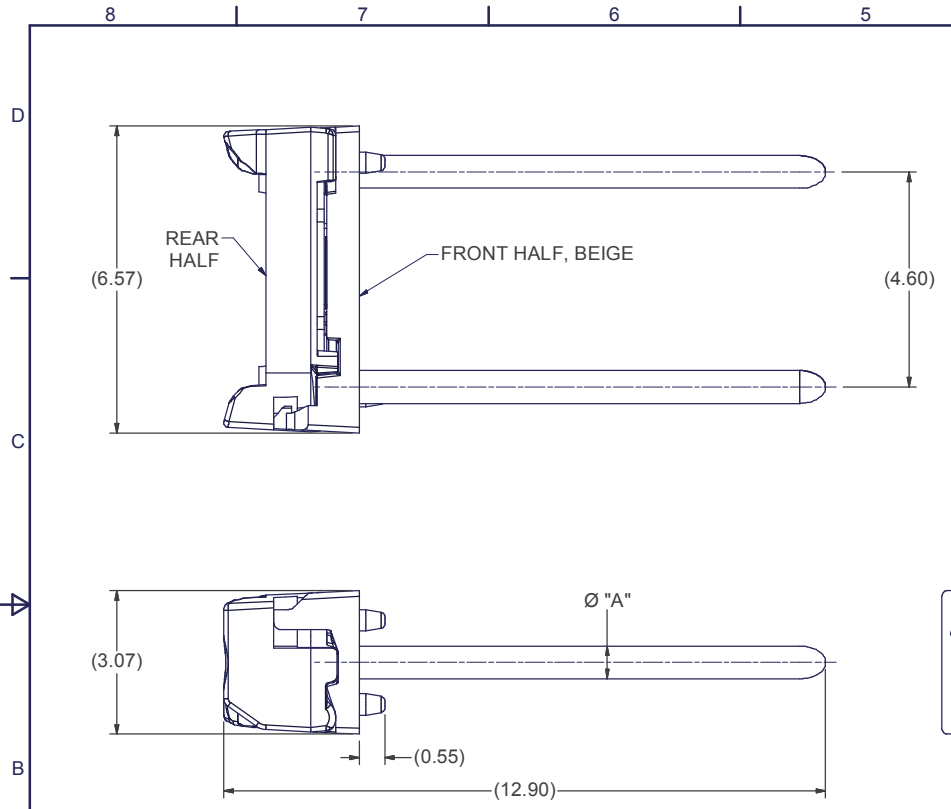


P/N	DESCRIPTION	Ø "A"	REAR HALF COLOR
19038	PIN CLAMP, MALE, MM MTP Elite®, MTP® PRO	Ø0.6985 ±0.0005	AQUA
19039	PIN CLAMP, MALE, SM MTP Elite®, MTP® PRO	Ø0.6985 ±0.0001	YELLOW



USCONEC LTD. PROPRIETARY
THIS DOCUMENT AND THE ASSOCIATED DATA CONTAIN RESTRICTED INFORMATION THAT IS USCONEC LTD. PROPERTY. DISCLOSE OR DUPLICATE FOR OTHERS ONLY AS AUTHORIZED BY USCONEC LTD.

Material:

REV	DATE	DESCRIPTION	ECN
X1	6/13/17	-	2073-mm
A	7/27/17	INITIAL RELEASE	

▲ DENOTES CRITICAL DIMENSION

CUSTOMER DRAWING

USCONEC Hickory, NC
800-769-0944
www.usconec.com

TITLE
PIN CLAMP, MALE,
MTP® PRO

▲ DIMENSIONS FOR REFERENCE ONLY

THIRD ANGLE PROJECTION

SIZE	S&M Part No.:	DWG NO.	REV
B	SEE TABLE	C19038	A
SCALE	Drafter	Date:	SHEET
N.T.S.	M.McCROSKEY	6/13/2017	1 OF 1

