

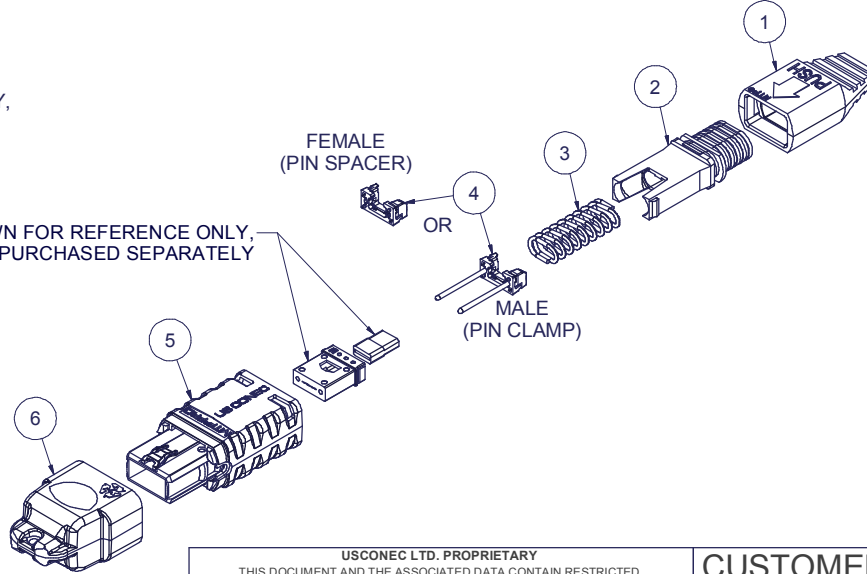
Parts List				
ITEM	DESCRIPTION	PART NUMBER	QTY	NOTES
1	BOOT, RIBBON, UNIVERSAL, MTP®	19676	1	
2	SPRING PUSH, UNIVERSAL, OVAL & RIBBON, MTP®	5551	1	
3	SPRING, UNIVERSAL, 20N	17698	1	
4	PIN CLAMP or PIN SPACER	SEE KIT TABLE COLUMN A	1	NOTE 1
5	HOUSING ASSY, MTP® PRO	SEE KIT TABLE COLUMN B	1	
6	DUST CAP	17242	1	

KIT P/N	KIT DESCRIPTION	PERFORMANCE	COLUMN A		COLUMN B
			PIN CLAMP/SPACER P/N	HSG ASSY P/N	HSG COLOR
18712	KIT, MTP® PRO, FEMALE, MM MTP Elite®, RIBBON, HSF, AQUA	MM MTP Elite®	17861	18189	AQUA
18713	KIT, MTP® PRO, MALE, MM MTP Elite®, RIBBON, HSF, AQUA	MM MTP Elite®	19038	18189	AQUA
18714	KIT, MTP® PRO, FEMALE, MM MTP Elite®, RIBBON, HSF, HEATHER VIOLET	MM MTP Elite®	17861	18191	HEATHER VIOLET
18715	KIT, MTP® PRO, MALE, MM MTP Elite®, RIBBON, HSF, HEATHER VIOLET	MM MTP Elite®	19038	18191	HEATHER VIOLET
18716	KIT, MTP® PRO, FEMALE, SM MTP Elite®, RIBBON, HSF, GREEN	SM MTP Elite®	17861	18190	GREEN
18717	KIT, MTP® PRO, MALE, SM MTP Elite®, RIBBON, HSF, GREEN	SM MTP Elite®	19039	18190	GREEN
21022	KIT, MTP® PRO, FEMALE, MM MTP Elite®, RIBBON, HSF, LIME	MM MTP Elite®	17861	19486	LIME
21023	KIT, MTP® PRO, MALE, MM MTP Elite®, RIBBON, HSF, LIME	MM MTP Elite®	19038	19486	LIME

NOTES:

1. MALE CONNECTOR KIT HAS PIN CLAMP ASSEMBLY, FEMALE CONNECTOR KIT HAS FEMALE PIN SPACER

FERRULE / BOOT KIT SHOWN FOR REFERENCE ONLY, MUST BE PURCHASED SEPARATELY



USCONEC LTD. PROPRIETARY
THIS DOCUMENT AND THE ASSOCIATED DATA CONTAIN RESTRICTED INFORMATION THAT IS USCONEC LTD. PROPERTY. DISCLOSE OR DUPLICATE FOR OTHERS ONLY AS AUTHORIZED BY USCONEC LTD.

Material:

REV	DATE	DESCRIPTION	ECN
X1	6/27/17	---	
X2	5/9/19	ADDED KIT P/N's 21022 & 21023	
A	6/26/19	ADDED BOOT 19676	2031-mm
		INITIAL RELEASE	

CUSTOMER DRAWING

DIMENSIONS FOR REFERENCE ONLY

THIRD ANGLE PROJECTION

METRIC/mm

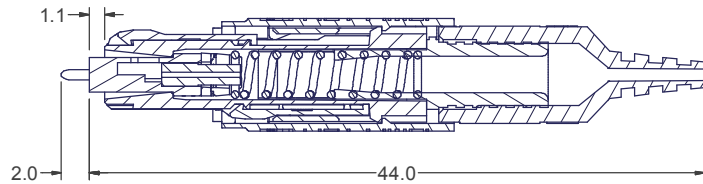
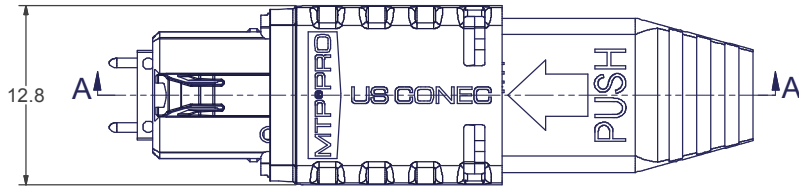
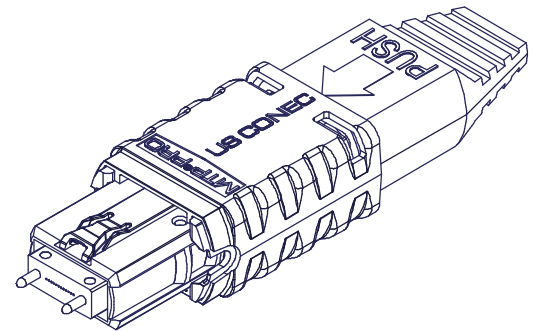
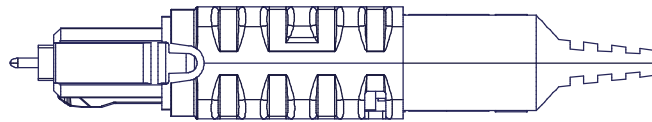
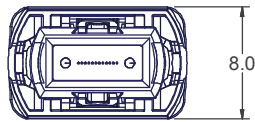
▲ DENOTES CRITICAL DIMENSION

USCONEC Hickory, NC
800-769-0944
www.usconec.com

TITLE
KIT, MTP® PRO CONNECTOR, RIBBON, HIGH SPRING FORCE

SIZE	S&M Part No.:	DWG NO	REV
B	SEE TABLE	C18712	A
SCALE	Drafter	Date:	
N.T.S.	M.McCROSKY	6/27/2017	

SHEET 1 OF 2



SECTION A-A

USCONEC LTD. PROPRIETARY
THIS DOCUMENT AND THE ASSOCIATED DATA CONTAIN RESTRICTED INFORMATION THAT IS USCONEC LTD. PROPERTY. DISCLOSE OR DUPLICATE FOR OTHERS ONLY AS AUTHORIZED BY USCONEC LTD.

Material:

REV	DATE	DESCRIPTION	ECN
		SEE SHEET 1	

CUSTOMER DRAWING

DIMENSIONS FOR REFERENCE ONLY

THIRD ANGLE PROJECTION

METRIC/mm

▲ DENOTES CRITICAL DIMENSION

USCONEC Hickory, NC
800-769-0944
www.usconec.com

TITLE
KIT, MTP® PRO CONNECTOR,
RIBBON, HIGH SPRING FORCE

SIZE	S&M Part No.:	DWG NO.	REV
B	SEE SHEET 1	C18712	A
SCALE	Drafter	Date:	
N.T.S.	M.McCROSKEY	6/27/2017	

SHEET 2 OF 2