

4

## Parts List

ITEM	DESCRIPTION	PART NUMBER	QTY	NOTES
1	BOOT, ROUND, 5.0/5.5 CABLE	12978	1	
2	CRIMP BAND, 5.5, ROUND, MTP®	16429	1	
3	SPRING PUSH, UNIVERSAL, 2 PC, ANGLED	19973	1	
4	SPRING, UNIVERSAL, 9.8N, MTP®	17167	1	
5	PIN CLAMP, MTP® PRO	SEE KIT TABLE COLUMN A	1	NOTE 1
6	HOUSING ASSY, MTP® PRO	SEE KIT TABLE COLUMN B	1	
7	DUST CAP, MTP®	17242	1	

3



2

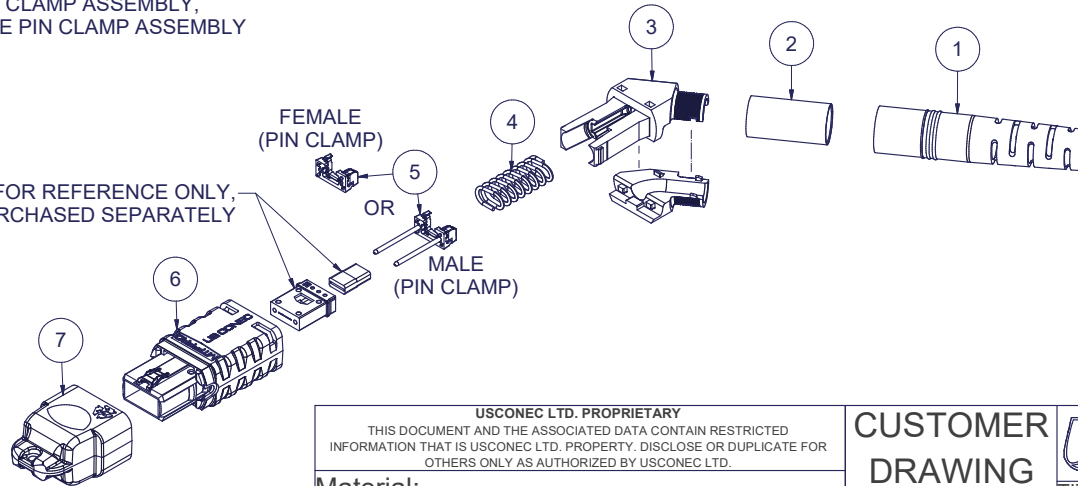
1

KIT P/N	KIT DESCRIPTION	PERFORMANCE	COLUMN A	COLUMN B	HSG COLOR
			PIN CLAMP P/N	HSG ASSY P/N	
18694	KIT, MTP® PRO, FEMALE, MM MTP Elite®, 5.5 RND, ASP, AQUA	MM MTP Elite®	17861	18189	AQUA
18695	KIT, MTP® PRO, MALE, MM MTP Elite®, 5.5 RND, ASP, AQUA	MM MTP Elite®	19038	18189	AQUA
18696	KIT, MTP® PRO, FEMALE, MM MTP Elite®, 5.5 RND, ASP, HEATHER VIOLET	MM MTP Elite®	17861	18191	HEATHER VIOLET
18697	KIT, MTP® PRO, MALE, MM MTP Elite®, 5.5 RND, ASP, HEATHER VIOLET	MM MTP Elite®	19038	18191	HEATHER VIOLET
18698	KIT, MTP® PRO, FEMALE, SM MTP Elite®, 5.5 RND, ASP, GREEN	SM MTP Elite®	17861	18190	GREEN
18699	KIT, MTP® PRO, MALE, SM MTP Elite®, 5.5 RND, ASP, GREEN	SM MTP Elite®	19039	18190	GREEN
20970	KIT, MTP® PRO, FEMALE, MM MTP Elite®, 5.5 RND, ASP, LIME	MM MTP Elite®	17861	19486	LIME
20971	KIT, MTP® PRO, MALE, MM MTP Elite®, 5.5 RND, ASP, LIME	MM MTP Elite®	19038	19486	LIME

## NOTES:

1. MALE CONNECTOR KIT HAS MALE PIN CLAMP ASSEMBLY,  
FEMALE CONNECTOR KIT HAS FEMALE PIN CLAMP ASSEMBLY

FERRULE / BOOT KIT SHOWN FOR REFERENCE ONLY,  
MUST BE PURCHASED SEPARATELY



▲ DENOTES CRITICAL DIMENSION

USCONEC LTD. PROPRIETARY  
THIS DOCUMENT AND THE ASSOCIATED DATA CONTAIN RESTRICTED  
INFORMATION THAT IS USCONEC LTD. PROPERTY. DISCLOSE OR DUPLICATE FOR  
OTHERS ONLY AS AUTHORIZED BY USCONEC LTD.

## Material:

REV	DATE	DESCRIPTION	ECN
X1	5/2/18	-	
A	5/20/20	ADD'D LIME KIT P/N'S 20970 & 20971; ADD'D VIEW W/ ADAPTER ON SHT 2	2089-mm
		INITIAL RELEASE	

CUSTOMER  
DRAWINGDIMENSIONS FOR REFERENCE  
ONLY

THIRD ANGLE PROJECTION



METRIC/mm

Hickory, NC  
800-769-0944  
www.usconec.com

TITLE  
KIT, MTP® PRO CONN., 5.3 - 5.7 mm  
ROUND CBL, ANGLED SPRING PUSH

SIZE	S&M Part No.:	DWG NO.	REV
B	SEE TABLE	C18694	A

SCALE	Drafter	Date:	SHEET	OF 2
N.T.S.	M.McCROSKEY	5/2/2018	1	2

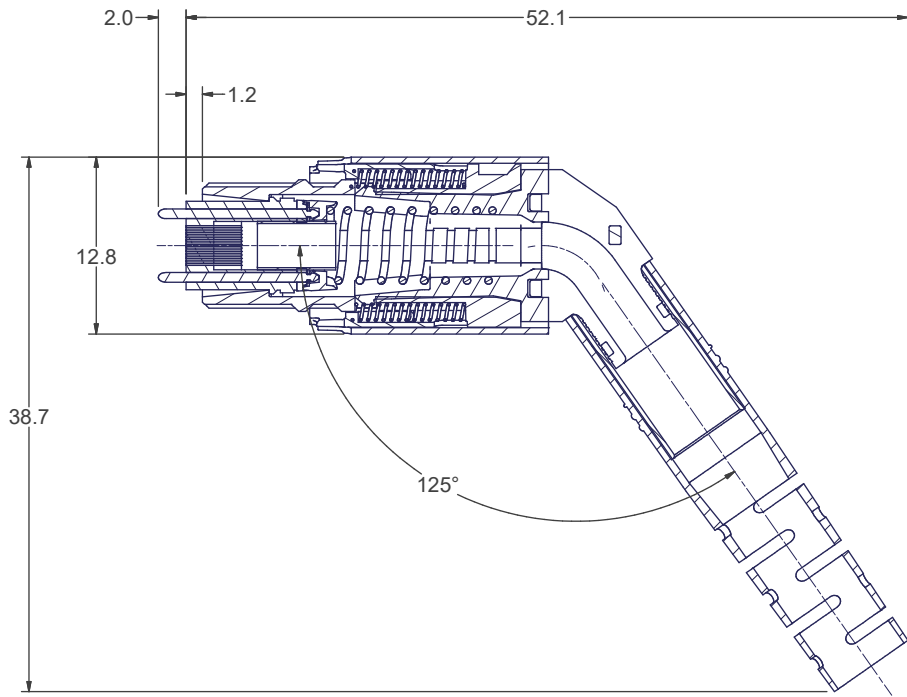
4

3

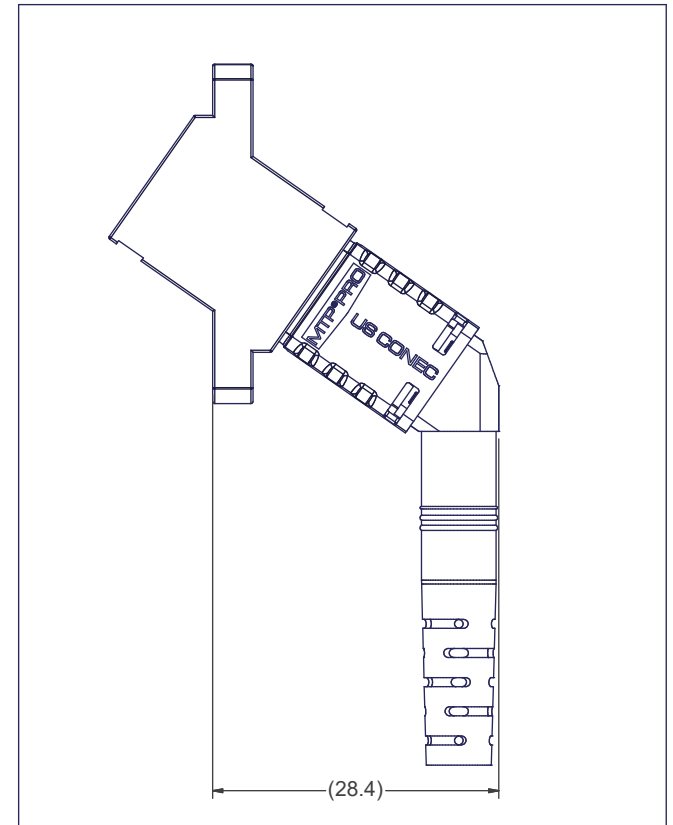
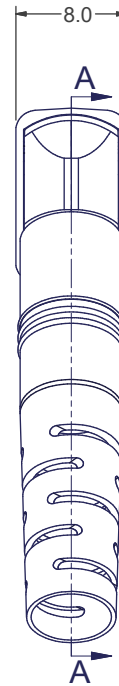


2

1



SECTION A-A



MTP® PRO CONNECTOR SHOWN WITH ANGLED MTP® ADAPTER  
(ANGLED MTP® ADAPTER SOLD SEPARATELY)

▲ DENOTES CRITICAL DIMENSION

**USCONEC LTD. PROPRIETARY**  
THIS DOCUMENT AND THE ASSOCIATED DATA CONTAIN RESTRICTED INFORMATION THAT IS USCONEC LTD. PROPERTY. DISCLOSE OR DUPLICATE FOR OTHERS ONLY AS AUTHORIZED BY USCONEC LTD.

**Material:**

REV	DATE	DESCRIPTION	ECN

**CUSTOMER DRAWING**

DIMENSIONS FOR REFERENCE ONLY

THIRD ANGLE PROJECTION

**METRIC/mm**

**USCONEC** Hickory, NC  
800-769-0944  
www.usconec.com

**TITLE**  
KIT, MTP® PRO CONN., 5.3 - 5.7 mm  
ROUND CBL, ANGLED SPRING PUSH

SIZE <b>A3</b>	S&M Part No.: SEE TABLE	DWG NO. <b>C18694</b>	REV A
SCALE N.T.S.	Drafter M.McCROSKEY	Date: 5/2/2018	SHEET 2 OF 2