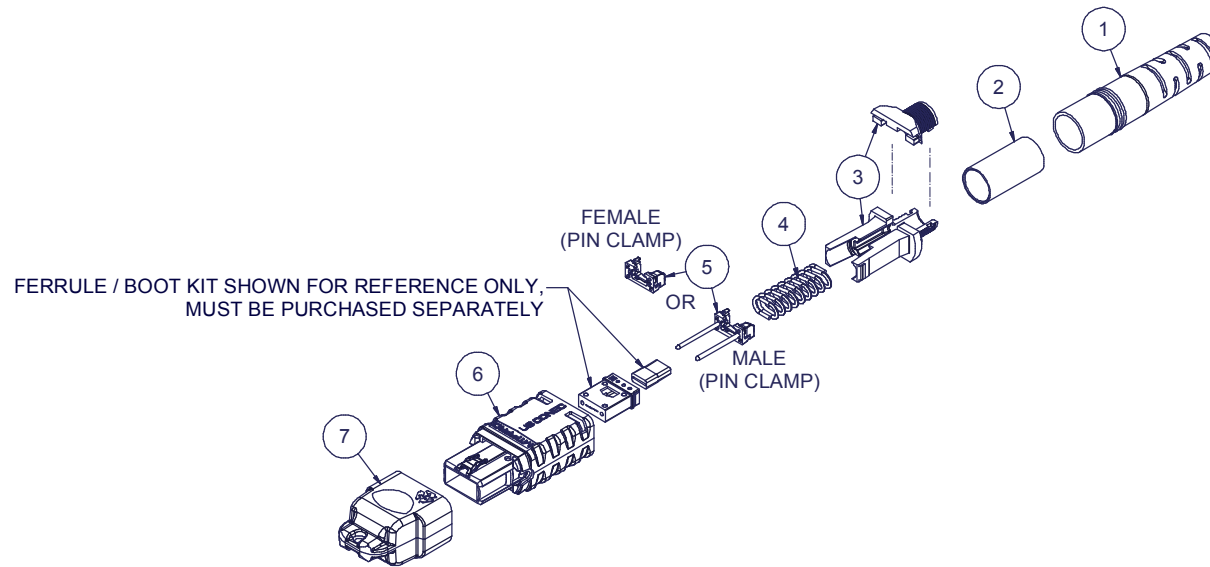


Parts List				
ITEM	DESCRIPTION	PART NUMBER	QTY	NOTES
1	BOOT, ROUND	12978	1	
2	CRIMP BAND	16429	1	
3	SPRING PUSH, UNIVERSAL, 2 PC, 4.0 - 5.5mm RND, MTP®	19740	1	
4	SPRING, UNIVERSAL, 20N	17698	1	
5	PIN CLAMP	SEE KIT TABLE COLUMN A	1	NOTE 1
6	HOUSING ASSY, MTP® PRO	SEE KIT TABLE COLUMN B	1	
7	DUST CAP	17242	1	

KIT P/N	KIT DESCRIPTION	PERFORMANCE	COLUMN A	COLUMN B	HSG COLOR
			PIN CLAMP P/N	HSG ASSY P/N	
18688	KIT, MTP® PRO, FEMALE, MM MTP Elite®, 5.5 RND, HSF, AQUA	MM MTP Elite®	17861	18189	AQUA
18689	KIT, MTP® PRO, MALE, MM MTP Elite®, 5.5 RND, HSF, AQUA	MM MTP Elite®	19038	18189	AQUA
18690	KIT, MTP® PRO, FEMALE, MM MTP Elite®, 5.5 RND, HSF, HEATHER VIOLET	MM MTP Elite®	17861	18191	HEATHER VIOLET
18691	KIT, MTP® PRO, MALE, MM MTP Elite®, 5.5 RND, HSF, HEATHER VIOLET	MM MTP Elite®	19038	18191	HEATHER VIOLET
18692	KIT, MTP® PRO, FEMALE, SM MTP Elite®, 5.5 RND, HSF, GREEN	SM MTP Elite®	17861	18190	GREEN
18693	KIT, MTP® PRO, MALE, SM MTP Elite®, 5.5 RND, HSF, GREEN	SM MTP Elite®	19039	18190	GREEN
20962	KIT, MTP® PRO, FEMALE, MM MTP Elite®, 5.5 RND, HSF, LIME	MM MTP Elite®	17861	19486	LIME
20963	KIT, MTP® PRO, MALE, MM MTP Elite®, 5.5 RND, HSF, LIME	MM MTP Elite®	19038	19486	LIME

NOTES:

- MALE CONNECTOR KIT HAS MALE PIN CLAMP ASSEMBLY, FEMALE CONNECTOR KIT HAS FEMALE PIN CLAMP ASSEMBLY.



USCONEC LTD. PROPRIETARY			
THIS DOCUMENT AND THE ASSOCIATED DATA CONTAIN RESTRICTED INFORMATION THAT IS USCONEC LTD. PROPERTY. DISCLOSE OR DUPLICATE FOR OTHERS ONLY AS AUTHORIZED BY USCONEC LTD.			
Material:			
REV.	DATE	DESCRIPTION	ECN
X1	1/14/20	-	
A	1/21/20	INITIAL RELEASE	2080-mm
B	1/31/20	ADDED LIME P/NS 20962 & 20963	

**CUSTOMER DRAWING**

DIMENSIONS FOR REFERENCE ONLY

THIRD ANGLE PROJECTION

**METRIC/mm**

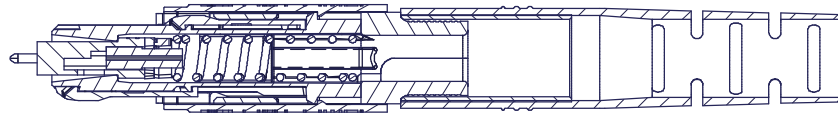
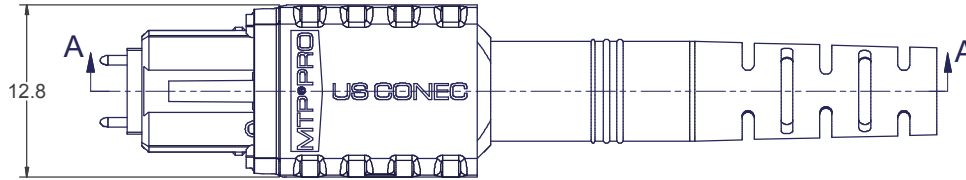
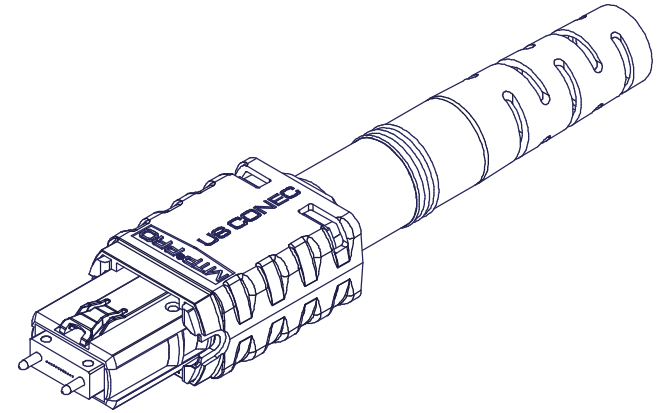
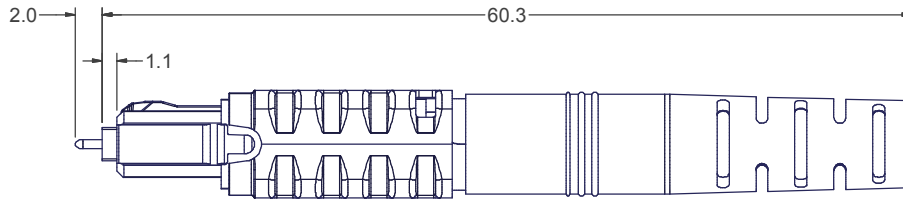
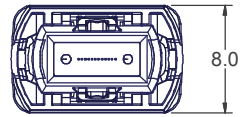
▲ DENOTES CRITICAL DIMENSION

**USCONEC** Hickory, NC  
800-769-0944  
[www.usconec.com](http://www.usconec.com)

TITLE  
**KIT, MTP® PRO CONN., 5.3 - 5.7 mm RND CBL, HIGH SPRING FORCE**

SIZE **A3** S&M Part No.: SEE TABLE DWG NO. **C18688** REV. B

SCALE N.T.S. Drafter M. McCROSKEY Date: 1/14/2020 SHEET 1 OF 2



SECTION A-A

▲ DENOTES CRITICAL DIMENSION

USCONEC LTD. PROPRIETARY  
THIS DOCUMENT AND THE ASSOCIATED DATA CONTAIN RESTRICTED  
INFORMATION THAT IS USCONEC LTD. PROPERTY. DISCLOSE OR DUPLICATE FOR  
OTHERS ONLY AS AUTHORIZED BY USCONEC LTD.

CUSTOMER  
DRAWING



Hickory, NC  
800-769-0944  
[www.usconec.com](http://www.usconec.com)

Material:

REV.	DATE	DESCRIPTION	ECN

DIMENSIONS FOR REFERENCE  
ONLY

THIRD ANGLE PROJECTION



METRIC/mm

TITLE  
KIT, MTP® PRO CONN., 5.3 - 5.7 mm  
RND CBL, HIGH SPRING FORCE

SIZE <b>A3</b>	S&M Part No.: SEE TABLE	DWG NO. <b>C18688</b>	REV B
-------------------	----------------------------	--------------------------	----------

SCALE N.T.S.	Drafter M. McCROSKEY	Date: 1/14/2020	SHEET 2 OF 2
-----------------	-------------------------	--------------------	--------------