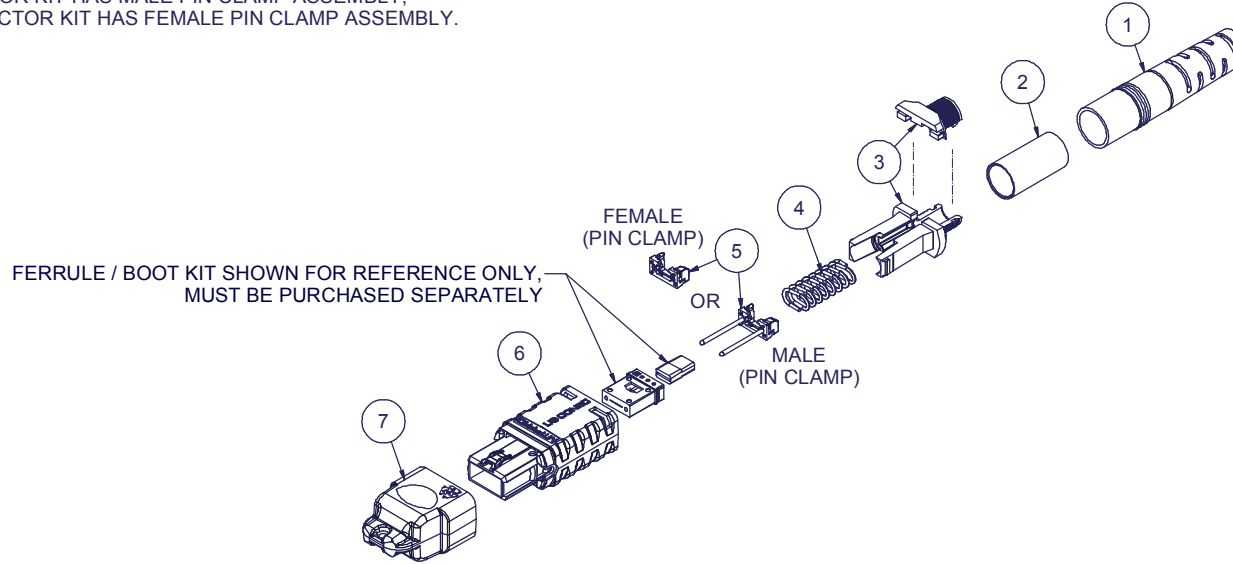


Parts List				
ITEM	DESCRIPTION	PART NUMBER	QTY	NOTES
1	BOOT, ROUND	12978	1	
2	CRIMP BAND	16429	1	
3	SPRING PUSH, UNIVERSAL, 2 PC, 4.0 - 5.5mm RND, MTP®	19740	1	
4	SPRING, UNIVERSAL, 9.8N	17167	1	
5	PIN CLAMP	SEE KIT TABLE COLUMN A	1	NOTE 1
6	HOUSING ASSY, MTP® PRO	SEE KIT TABLE COLUMN B	1	
7	DUST CAP	17242	1	

KIT P/N	KIT DESCRIPTION	PERFORMANCE	COLUMN A	COLUMN B	HSG COLOR
			PIN CLAMP P/N	HSG ASSY P/N	
18682	KIT, MTP® PRO, FEMALE, MM MTP Elite®, 5.5 RND, AQUA	MM MTP Elite®	17861	18189	AQUA
18683	KIT, MTP® PRO, MALE, MM MTP Elite®, 5.5 RND, AQUA	MM MTP Elite®	19038	18189	AQUA
18684	KIT, MTP® PRO, FEMALE, MM MTP Elite®, 5.5 RND, HEATHER VIOLET	MM MTP Elite®	17861	18191	HEATHER VIOLET
18685	KIT, MTP® PRO, MALE, MM MTP Elite®, 5.5 RND, HEATHER VIOLET	MM MTP Elite®	19038	18191	HEATHER VIOLET
18686	KIT, MTP® PRO, FEMALE, SM MTP Elite®, 5.5 RND, GREEN	SM MTP Elite®	17861	18190	GREEN
18687	KIT, MTP® PRO, MALE, SM MTP Elite®, 5.5 RND, GREEN	SM MTP Elite®	19039	18190	GREEN
20954	KIT, MTP® PRO, FEMALE, MM MTP Elite®, 5.5 RND, LIME	MM MTP Elite®	17861	19486	LIME
20955	KIT, MTP® PRO, MALE, MM MTP Elite®, 5.5 RND, LIME	MM MTP Elite®	19038	19486	LIME

NOTES:

1. MALE CONNECTOR KIT HAS MALE PIN CLAMP ASSEMBLY,
FEMALE CONNECTOR KIT HAS FEMALE PIN CLAMP ASSEMBLY.



USCONEC LTD. PROPRIETARY
THIS DOCUMENT AND THE ASSOCIATED DATA CONTAIN RESTRICTED INFORMATION THAT IS USCONEC LTD. PROPERTY. DISCLOSE OR DUPLICATE FOR OTHERS ONLY AS AUTHORIZED BY USCONEC LTD.

Material:

REV.	DATE	DESCRIPTION	ECN
X1	1/14/20	-	
A	1/21/20	INITIAL RELEASE	2080-mm
B	1/31/20	ADDED LIME P/N'S 20954 & 20955	

CUSTOMER DRAWING

DIMENSIONS FOR REFERENCE ONLY

THIRD ANGLE PROJECTION

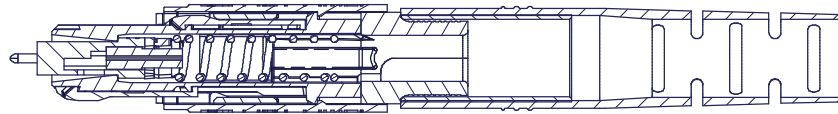
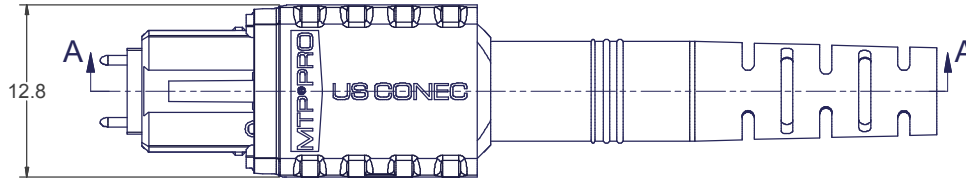
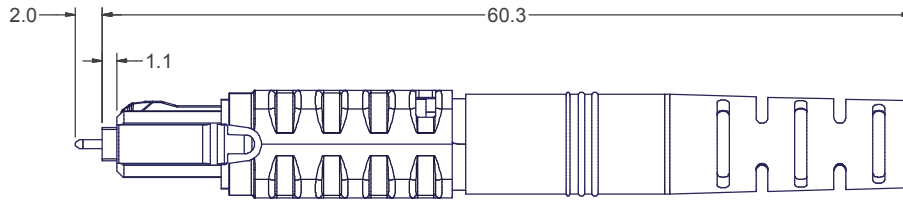
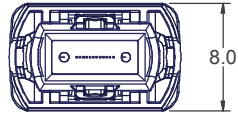
METRIC/mm

▲ DENOTES CRITICAL DIMENSION

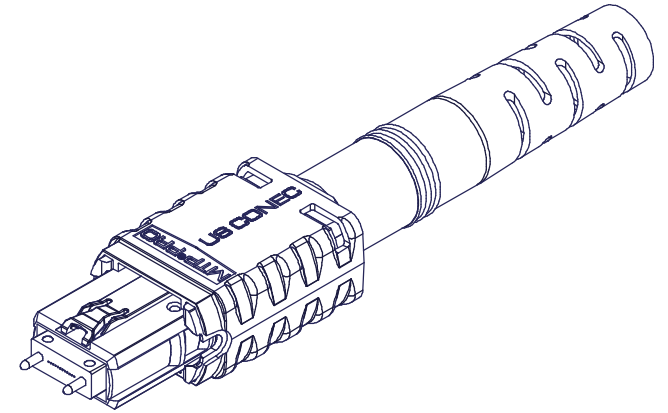
USCONEC Hickory, NC
800-769-0944
www.usconec.com

TITLE
KIT, MTP® PRO CONNECTOR,
5.3 - 5.7 mm ROUND CABLE

SIZE A3	S&M Part No.: SEE TABLE	DWG NO. C18682	REV B
SCALE N.T.S.	Drafter M. McCROSKEY	Date: 1/14/2020	SHEET 1 OF 2



SECTION A-A



USCONEC LTD. PROPRIETARY
THIS DOCUMENT AND THE ASSOCIATED DATA CONTAIN RESTRICTED INFORMATION THAT IS USCONEC LTD. PROPERTY. DISCLOSE OR DUPLICATE FOR OTHERS ONLY AS AUTHORIZED BY USCONEC LTD.

Material:

REV.	DATE	DESCRIPTION	ECN

CUSTOMER DRAWING

DIMENSIONS FOR REFERENCE ONLY

THIRD ANGLE PROJECTION

METRIC/mm

▲ DENOTES CRITICAL DIMENSION

USCONEC Hickory, NC
800-769-0944
www.usconec.com

TITLE
KIT, MTP® PRO CONNECTOR,
5.3 - 5.7 mm ROUND CABLE

SIZE A3	S&M Part No.: SEE TABLE	DWG NO. C18682	REV B
SCALE N.T.S.	Drafter M. McCROSKEY	Date: 1/14/2020	SHEET 2 OF 2