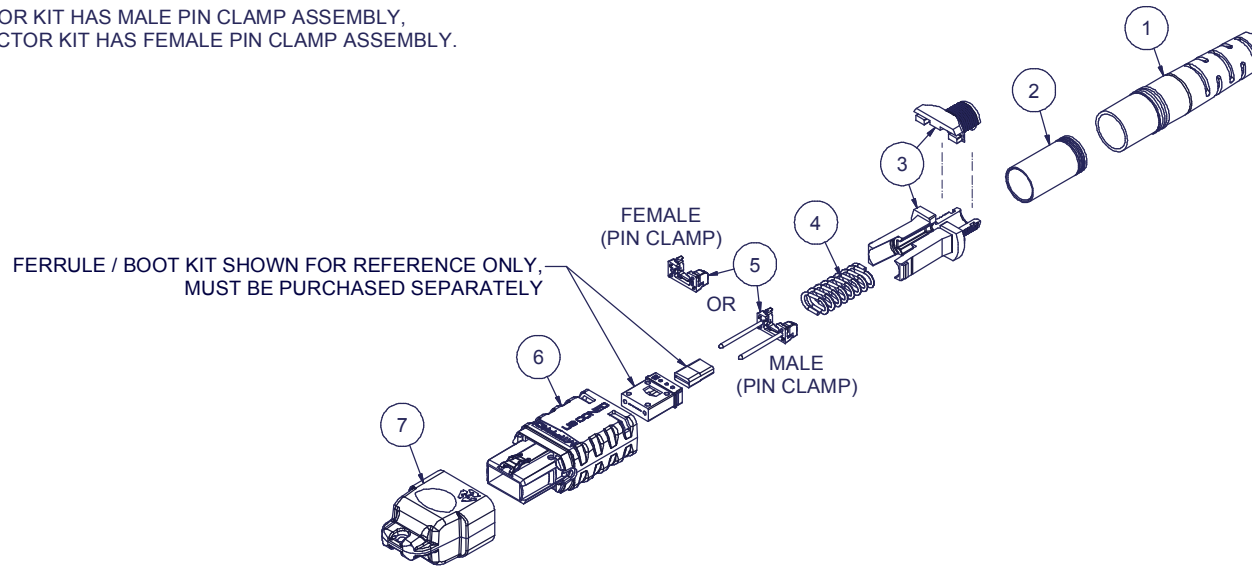


Parts List				
ITEM	DESCRIPTION	PART NUMBER	QTY	NOTES
1	BOOT, ROUND	12978	1	
2	CRIMP BAND	16428	1	
3	SPRING PUSH, UNIVERSAL, 2 PC, 4.0 - 5.5mm RND, MTP®	19740	1	
4	SPRING, UNIVERSAL, 9.8N	17167	1	
5	PIN CLAMP	SEE KIT TABLE COLUMN A	1	NOTE 1
6	HOUSING ASSY, MTP® PRO	SEE KIT TABLE COLUMN B	1	
7	DUST CAP	17242	1	

KIT P/N	KIT DESCRIPTION	PERFORMANCE	COLUMN A	COLUMN B	HSG COLOR
			PIN CLAMP P/N	HSG ASSY P/N	
18658	KIT, MTP® PRO, FEMALE, MM MTP Elite®, 5.0 RND, AQUA	MM MTP Elite®	17861	18189	AQUA
18659	KIT, MTP® PRO, MALE, MM MTP Elite®, 5.0 RND, AQUA	MM MTP Elite®	19038	18189	AQUA
18660	KIT, MTP® PRO, FEMALE, MM MTP Elite®, 5.0 RND, HEATHER VIOLET	MM MTP Elite®	17861	18191	HEATHER VIOLET
18661	KIT, MTP® PRO, MALE, MM MTP Elite®, 5.0 RND, HEATHER VIOLET	MM MTP Elite®	19038	18191	HEATHER VIOLET
18662	KIT, MTP® PRO, FEMALE, SM MTP Elite®, 5.0 RND, GREEN	SM MTP Elite®	17861	18190	GREEN
18663	KIT, MTP® PRO, MALE, SM MTP Elite®, 5.0 RND, GREEN	SM MTP Elite®	19039	18190	GREEN
20952	KIT, MTP® PRO, FEMALE, MM MTP Elite®, 5.0 RND, LIME	MM MTP Elite®	17861	19486	LIME
20953	KIT, MTP® PRO, MALE, MM MTP Elite®, 5.0 RND, LIME	MM MTP Elite®	19038	19486	LIME

NOTES:

1. MALE CONNECTOR KIT HAS MALE PIN CLAMP ASSEMBLY,
FEMALE CONNECTOR KIT HAS FEMALE PIN CLAMP ASSEMBLY.



USCONEC LTD. PROPRIETARY
THIS DOCUMENT AND THE ASSOCIATED DATA CONTAIN RESTRICTED INFORMATION THAT IS USCONEC LTD. PROPERTY. DISCLOSE OR DUPLICATE FOR OTHERS ONLY AS AUTHORIZED BY USCONEC LTD.

Material:

REV.	DATE	DESCRIPTION	ECN
X1	1/14/20	-	
A	1/21/20	INITIAL RELEASE	2080-mm
B	1/31/20	ADDED LIME P/N'S 20952 & 20953	

CUSTOMER DRAWING

DIMENSIONS FOR REFERENCE ONLY

THIRD ANGLE PROJECTION

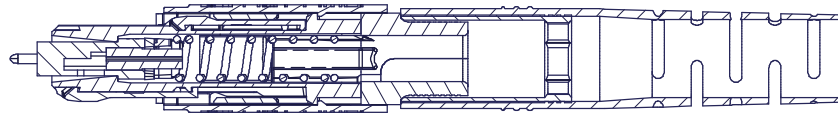
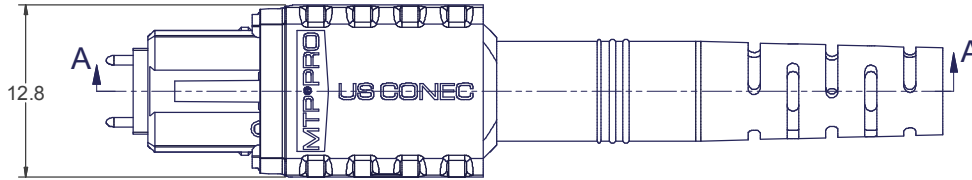
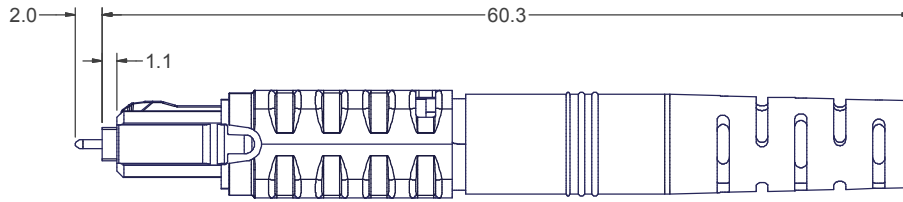
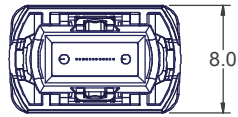
METRIC/mm

▲ DENOTES CRITICAL DIMENSION

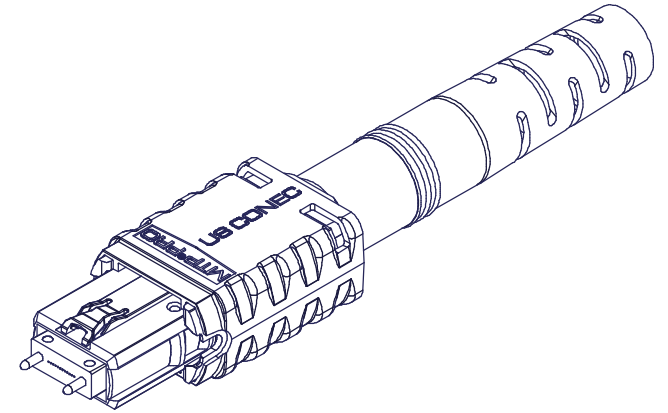
USCONEC Hickory, NC
800-769-0944
www.usconec.com

TITLE
KIT, MTP® PRO CONNECTOR,
4.8 - 5.2 mm ROUND CABLE

SIZE A3	S&M Part No.: SEE TABLE	DWG NO. C18658	REV B
SCALE N.T.S.	Drafter M. McCROSKEY	Date: 1/14/2020	SHEET 1 OF 2



SECTION A-A



▲ DENOTES CRITICAL DIMENSION

USCONEC LTD. PROPRIETARY
THIS DOCUMENT AND THE ASSOCIATED DATA CONTAIN RESTRICTED
INFORMATION THAT IS USCONEC LTD. PROPERTY. DISCLOSE OR DUPLICATE FOR
OTHERS ONLY AS AUTHORIZED BY USCONEC LTD.

**CUSTOMER
DRAWING**



Hickory, NC
800-769-0944
www.usconec.com

Material:

REV.	DATE	DESCRIPTION	ECN

DIMENSIONS FOR REFERENCE
ONLY

THIRD ANGLE PROJECTION



METRIC/mm

TITLE
**KIT, MTP® PRO CONNECTOR,
4.8 - 5.2 mm ROUND CABLE**

SIZE A3	S&M Part No.: SEE TABLE	DWG NO. C18658	REV B
SCALE N.T.S.	Drafter M. McCROSKEY	Date: 1/14/2020	SHEET 2 OF 2