

4

3

2

1

Parts List

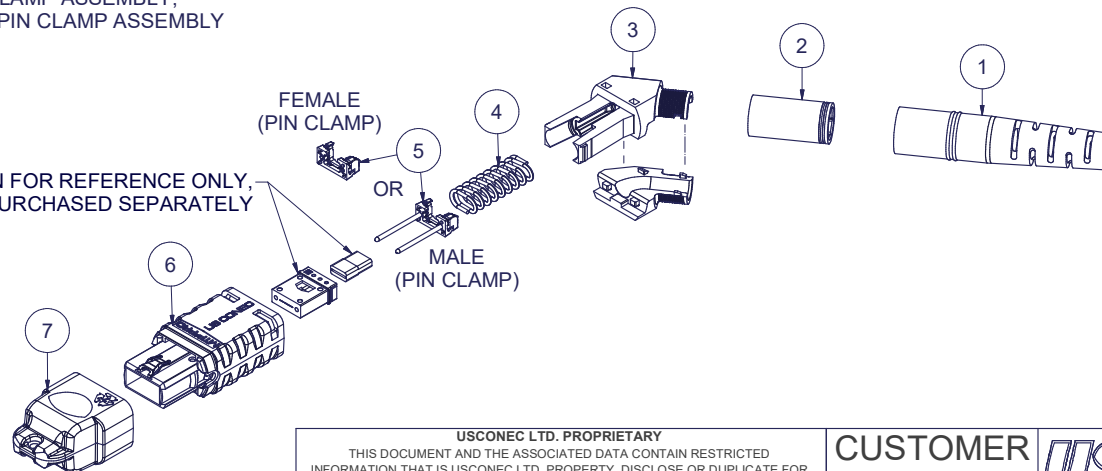
ITEM	DESCRIPTION	PART NUMBER	QTY	NOTES
1	BOOT, ROUND, 4.5 mm CABLE	13168	1	
2	CRIMP BAND, 4.5, ROUND, MTP®	16427	1	
3	SPRING PUSH, UNIVERSAL, 2 PC, ANGLED	19973	1	
4	SPRING, UNIVERSAL, 20N	17698	1	
5	PIN CLAMP, MTP® PRO	SEE KIT TABLE COLUMN A	1	NOTE 1
6	HOUSING ASSY, MTP® PRO	SEE KIT TABLE COLUMN B	1	
7	DUST CAP, MTP®	17242	1	

KIT P/N	KIT DESCRIPTION	PERFORMANCE	COLUMN A PIN CLAMP P/N	COLUMN B HSG ASSY P/N	HSG COLOR
18652	KIT, MTP® PRO, FEMALE, MM MTP Elite®, 4.5 RND, ASP, HSF, AQUA	MM MTP Elite®	17861	18189	AQUA
18653	KIT, MTP® PRO, MALE, MM MTP Elite®, 4.5 RND, ASP, HSF, AQUA	MM MTP Elite®	19038	18189	AQUA
18654	KIT, MTP® PRO, FEMALE, MM MTP Elite®, 4.5 RND, ASP, HSF, HEATHER VIOLET	MM MTP Elite®	17861	18191	HEATHER VIOLET
18655	KIT, MTP® PRO, MALE, MM MTP Elite®, 4.5 RND, ASP, HSF, HEATHER VIOLET	MM MTP Elite®	19038	18191	HEATHER VIOLET
18656	KIT, MTP® PRO, FEMALE, SM MTP Elite®, 4.5 RND, ASP, HSF, GREEN	SM MTP Elite®	17861	18190	GREEN
18657	KIT, MTP® PRO, MALE, SM MTP Elite®, 4.5 RND, ASP, HSF, GREEN	SM MTP Elite®	19039	18190	GREEN
20974	KIT, MTP® PRO, FEMALE, MM MTP Elite®, 4.5 RND, ASP, HSF, LIME	MM MTP Elite®	17861	19486	LIME
20975	KIT, MTP® PRO, MALE, MM MTP Elite®, 4.5 RND, ASP, HSF LIME	MM MTP Elite®	19038	19486	LIME

NOTES:

1. MALE CONNECTOR KIT HAS MALE PIN CLAMP ASSEMBLY,
FEMALE CONNECTOR KIT HAS FEMALE PIN CLAMP ASSEMBLY

FERRULE / BOOT KIT SHOWN FOR REFERENCE ONLY,
MUST BE PURCHASED SEPARATELY



USCONEC LTD. PROPRIETARY			
THIS DOCUMENT AND THE ASSOCIATED DATA CONTAIN RESTRICTED INFORMATION THAT IS USCONEC LTD. PROPERTY. DISCLOSE OR DUPLICATE FOR OTHERS ONLY AS AUTHORIZED BY USCONEC LTD.			
Material:			
REV	DATE	DESCRIPTION	ECN
X1	5/9/18	-	
A	5/20/20	ADD'D LIME KIT P/N'S 20974 & 20975; ADD'D VIEW W/ ADAPTER ON SHT 2	2089-mm
		INITIAL RELEASE	

CUSTOMER DRAWING

DIMENSIONS FOR REFERENCE ONLY

THIRD ANGLE PROJECTION

METRIC/mm

▲ DENOTES CRITICAL DIMENSION

Hickory, NC
800-769-0944
www.usconec.com

TITLE
KIT, MTP® PRO CONN., 4.3 - 4.7 mm RND CBL,
ANGLED SPRING PUSH, HIGH SPRING FORCE

SIZE	S&M Part No.:	DWG NO	REV
B	SEE TABLE	C18652	A
SCALE	Drafter	Date:	
N.T.S.	M.McCROSKEY	5/9/2018	

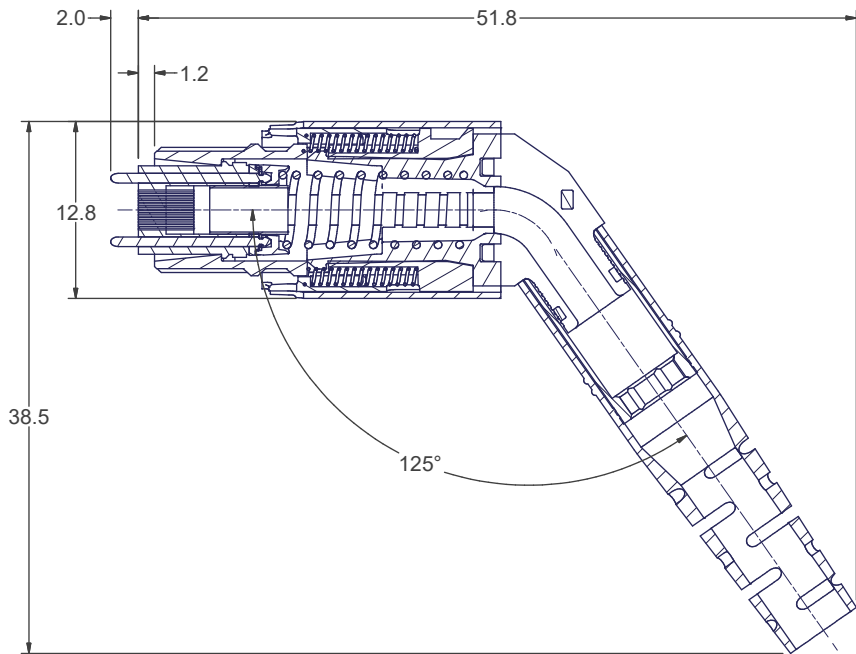
SHEET 1 OF 2

4

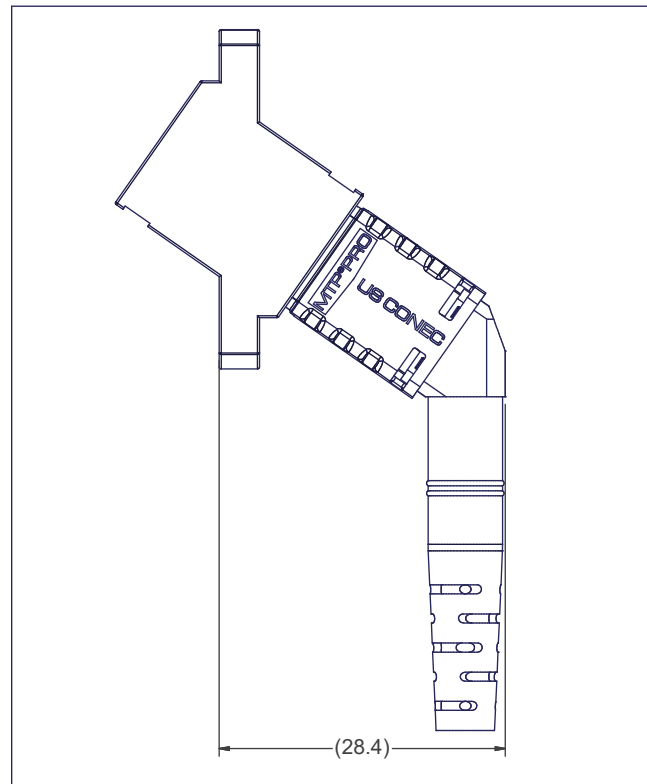
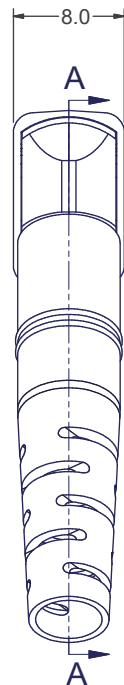
3

2

1



SECTION A-A



MTP® PRO CONNECTOR SHOWN WITH ANGLED MTP® ADAPTER
(ANGLED MTP® ADAPTER SOLD SEPARATELY)

▲ DENOTES CRITICAL DIMENSION

USCONEC LTD. PROPRIETARY
THIS DOCUMENT AND THE ASSOCIATED DATA CONTAIN RESTRICTED INFORMATION THAT IS USCONEC LTD. PROPERTY. DISCLOSE OR DUPLICATE FOR OTHERS ONLY AS AUTHORIZED BY USCONEC LTD.

Material:

REV	DATE	DESCRIPTION	ECN

CUSTOMER DRAWING

USCONEC

Hickory, NC
800-769-0944
www.usconec.com

DIMENSIONS FOR REFERENCE ONLY

TITLE
KIT, MTP® PRO CONN., 4.3 - 4.7 mm RND CBL, ANGLED SPRING PUSH, HIGH SPRING FORCE

THIRD ANGLE PROJECTION



SIZE: **A3** S&M Part No.: SEE TABLE DWG NO: **C18652** REV: **A**

METRIC/mm

SCALE: N.T.S. Drafter: **M. McCROSKEY** Date: **5/9/2018** SHEET **2** OF **2**