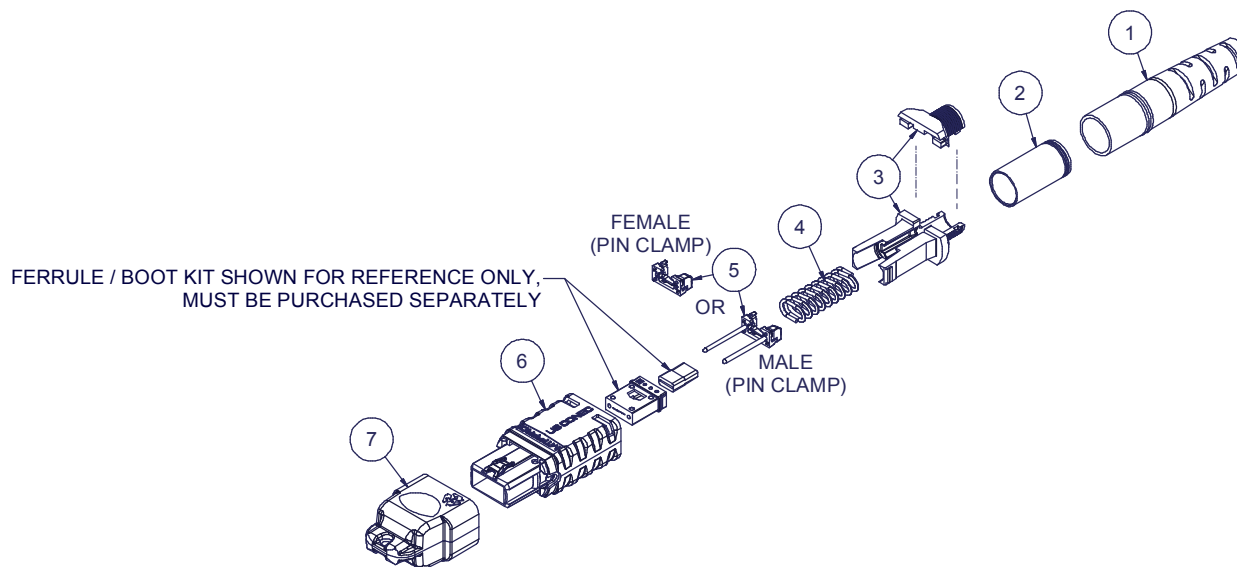


Parts List				
ITEM	DESCRIPTION	PART NUMBER	QTY	NOTES
1	BOOT, ROUND	13168	1	
2	CRIMP BAND	16427	1	
3	SPRING PUSH, UNIVERSAL, 2 PC, 4.0 - 5.5mm RND, MTP®	19740	1	
4	SPRING, UNIVERSAL, 20N	17698	1	
5	PIN CLAMP	SEE KIT TABLE COLUMN A	1	NOTE 1
6	HOUSING ASSY, MTP® PRO	SEE KIT TABLE COLUMN B	1	
7	DUST CAP	17242	1	

KIT P/N	KIT DESCRIPTION	PERFORMANCE	COLUMN A	COLUMN B	HSG COLOR
			PIN CLAMP P/N	HSG ASSY P/N	
18640	KIT, MTP® PRO, FEMALE, MM MTP Elite®, 4.5 RND, HSF, AQUA	MM MTP Elite®	17861	18189	AQUA
18641	KIT, MTP® PRO, MALE, MM MTP Elite®, 4.5 RND, HSF, AQUA	MM MTP Elite®	19038	18189	AQUA
18642	KIT, MTP® PRO, FEMALE, MM MTP Elite®, 4.5 RND, HSF, HEATHER VIOLET	MM MTP Elite®	17861	18191	HEATHER VIOLET
18643	KIT, MTP® PRO, MALE, MM MTP Elite®, 4.5 RND, HSF, HEATHER VIOLET	MM MTP Elite®	19038	18191	HEATHER VIOLET
18644	KIT, MTP® PRO, FEMALE, SM MTP Elite®, 4.5 RND, HSF, GREEN	SM MTP Elite®	17861	18190	GREEN
18645	KIT, MTP® PRO, MALE, SM MTP Elite®, 4.5 RND, HSF, GREEN	SM MTP Elite®	19039	18190	GREEN
20958	KIT, MTP® PRO, FEMALE, MM MTP Elite®, 4.5 RND, HSF, LIME	MM MTP Elite®	17861	19486	LIME
20959	KIT, MTP® PRO, MALE, MM MTP Elite®, 4.5 RND, HSF, LIME	MM MTP Elite®	19038	19486	LIME

NOTES:

1. MALE CONNECTOR KIT HAS MALE PIN CLAMP ASSEMBLY,  
FEMALE CONNECTOR KIT HAS FEMALE PIN CLAMP ASSEMBLY.



USCONEC LTD. PROPRIETARY  
THIS DOCUMENT AND THE ASSOCIATED DATA CONTAIN RESTRICTED INFORMATION THAT IS USCONEC LTD. PROPERTY. DISCLOSE OR DUPLICATE FOR OTHERS ONLY AS AUTHORIZED BY USCONEC LTD.

**Material:**

REV	DATE	DESCRIPTION	ECN
X1	5/2/18	-	2079-mm
A	1/20/20	INITIAL RELEASE	2079-my
B	1/31/20	ADDED LIME P/N'S 20958 & 20959	2079-mm

**CUSTOMER DRAWING**

DIMENSIONS FOR REFERENCE ONLY

THIRD ANGLE PROJECTION

**METRIC/mm**

▲ DENOTES CRITICAL DIMENSION

Hickory, NC  
800-769-0944  
[www.usconec.com](http://www.usconec.com)

**USCONEC**

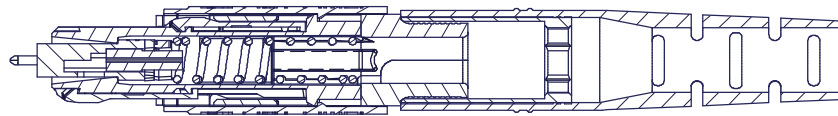
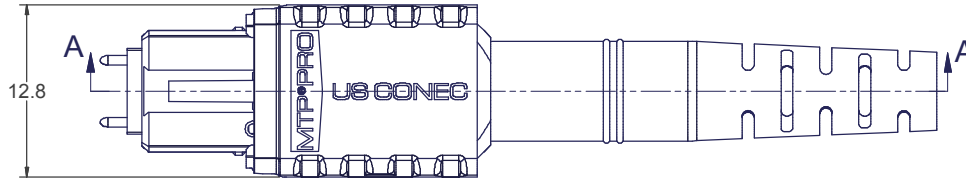
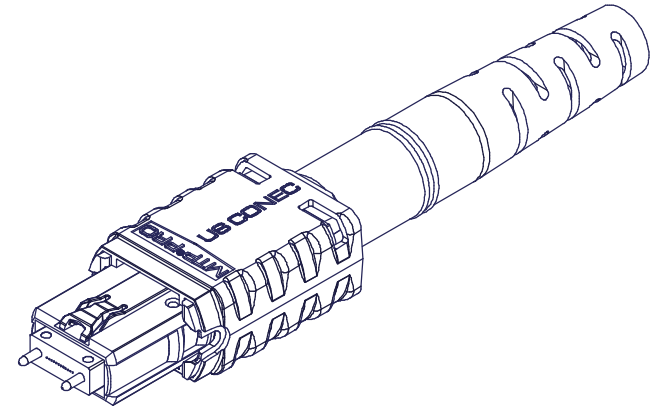
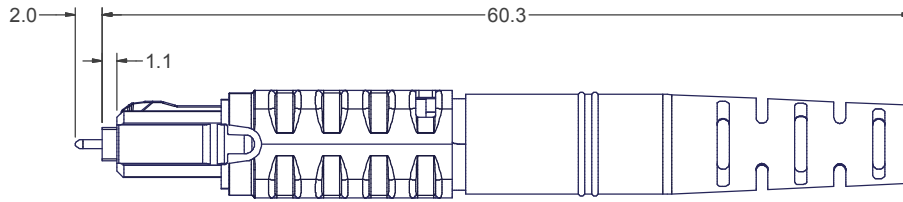
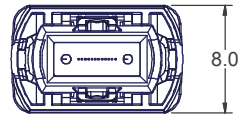
TITLE  
KIT, MTP® PRO CONN., 4.3 - 4.7 mm RND CBL, HIGH SPRING FORCE

SIZE: A3  
SCALE: N.T.S.

S&M Part No.: SEE TABLE  
Drafter: M. McCROSKEY  
Date: 5/2/2018

DWG NO: **C18640**

REV: B  
SHEET: 1 OF 2



SECTION A-A

▲ DENOTES CRITICAL DIMENSION

USCONEC LTD. PROPRIETARY  
THIS DOCUMENT AND THE ASSOCIATED DATA CONTAIN RESTRICTED  
INFORMATION THAT IS USCONEC LTD. PROPERTY. DISCLOSE OR DUPLICATE FOR  
OTHERS ONLY AS AUTHORIZED BY USCONEC LTD.

CUSTOMER  
DRAWING



Hickory, NC  
800-769-0944  
[www.usconec.com](http://www.usconec.com)

Material:

REV.	DATE	DESCRIPTION	ECN

DIMENSIONS FOR REFERENCE  
ONLY

THIRD ANGLE PROJECTION



METRIC/mm

TITLE  
KIT, MTP® PRO CONN., 4.3 - 4.7 mm  
RND CBL, HIGH SPRING FORCE

SIZE <b>A3</b>	S&M Part No.: SEE TABLE	DWG NO. <b>C18640</b>	REV B
SCALE N.T.S.	Drafter M. McCROSKEY	Date: 5/2/2018	SHEET 2 OF 2