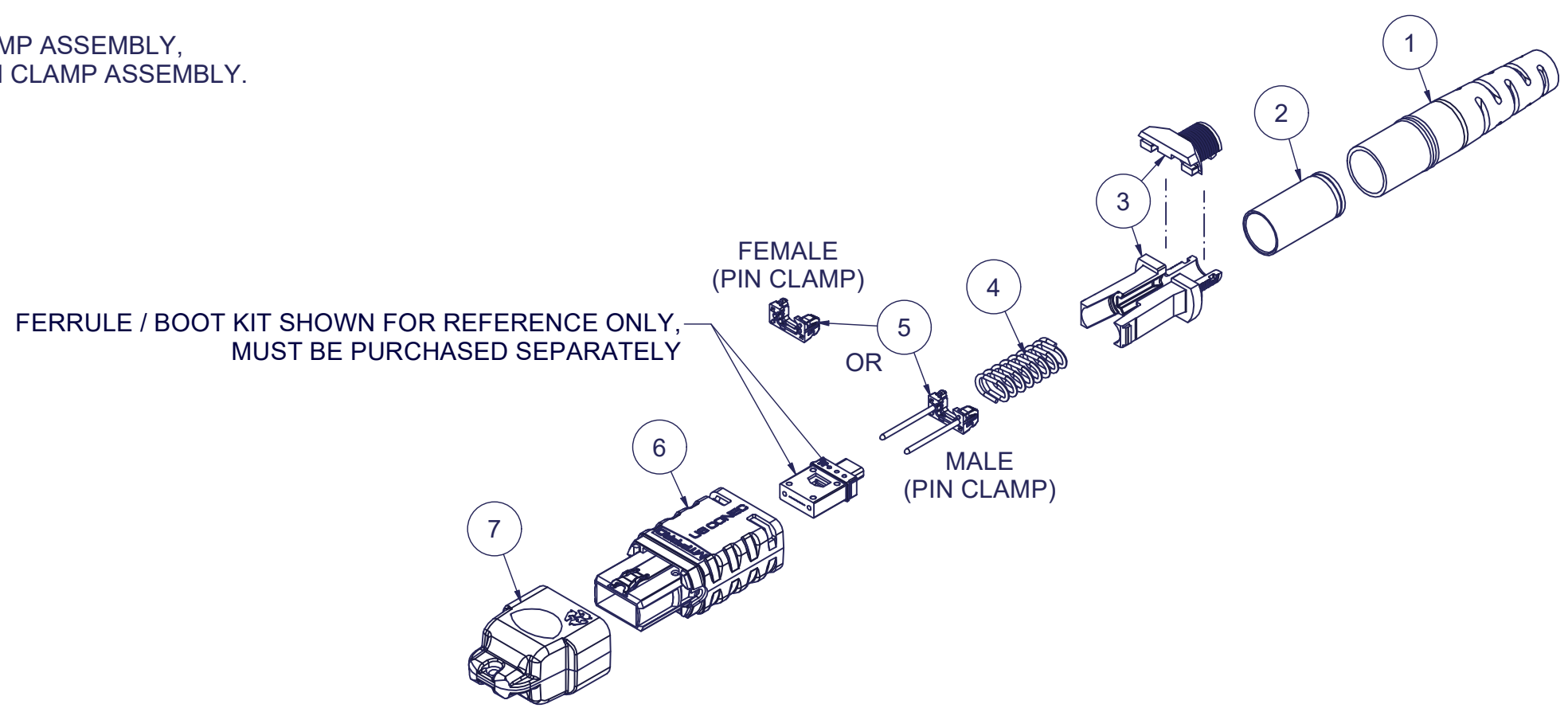


Parts List				
ITEM	DESCRIPTION	PART NUMBER	QTY	NOTES
1	BOOT, ROUND	13168	1	
2	CRIMP BAND	16543	1	
3	SPRING PUSH, UNIV., 2 PC, 4.0 - 5.5mm RND, MTP®	22900	1	
4	SPRING, UNIVERSAL, 9.8N	17167	1	
5	PIN CLAMP	SEE KIT TABLE COLUMN A	1	NOTE 1
6	HOUSING ASSY, MTP® PRO	SEE KIT TABLE COLUMN B	1	
7	DUST CAP	17242	1	

KIT P/N	KIT DESCRIPTION	PERFORMANCE	COLUMN A PIN CLAMP P/N	COLUMN B HSG ASSY P/N	HSG COLOR
18610	KIT, MTP® PRO, FEMALE, MM MTP Elite®, 4.0 RND, AQUA HSG	MM MTP Elite®	25084	18189	AQUA
18611	KIT, MTP® PRO, MALE, MM MTP Elite®, 4.0 RND, AQUA HSG	MM MTP Elite®	25085	18189	AQUA
18612	KIT, MTP® PRO, FEMALE, MM MTP Elite®, 4.0 RND, HEATHER VIOLET HSG	MM MTP Elite®	25084	18191	HEATHER VIOLET
18613	KIT, MTP® PRO, MALE, MM MTP Elite®, 4.0 RND, HEATHER VIOLET HSG	MM MTP Elite®	25085	18191	HEATHER VIOLET
18614	KIT, MTP® PRO, FEMALE, SM MTP Elite®, 4.0 RND, GREEN HSG	SM MTP Elite®	25084	18190	GREEN
18615	KIT, MTP® PRO, MALE, SM MTP Elite®, 4.0 RND, GREEN HSG	SM MTP Elite®	25087	18190	GREEN
20948	KIT, MTP® PRO, FEMALE, MM MTP Elite®, 4.0 RND, LIME HSG	MM MTP Elite®	25084	19486	LIME
20949	KIT, MTP® PRO, MALE, MM MTP Elite®, 4.0 RND, LIME HSG	MM MTP Elite®	25085	19486	LIME

NOTES:

- 1. MALE CONNECTOR KIT HAS MALE PIN CLAMP ASSEMBLY, FEMALE CONNECTOR KIT HAS FEMALE PIN CLAMP ASSEMBLY.



FERRULE / BOOT KIT SHOWN FOR REFERENCE ONLY, MUST BE PURCHASED SEPARATELY

▲ DENOTES CRITICAL DIMENSION

**USCONEC LTD. PROPRIETARY**  
THIS DOCUMENT AND THE ASSOCIATED DATA CONTAIN RESTRICTED INFORMATION THAT IS USCONEC LTD. PROPERTY. DISCLOSE OR DUPLICATE FOR OTHERS ONLY AS AUTHORIZED BY USCONEC LTD.

**Material:**

REV.	DATE	DESCRIPTION	ECN
X1	5/8/18	-	2079-mm
A	1/20/20	INITIAL RELEASE	2079-my
B	1/31/20	ADDED LIME P/N's 20948 & 20949	2079-mm
C	7/28/22	SPRING PUSH 22900 was 19740	2485-mm
D	4/11/25	PIN CLAMP CHGS: 25084 was 17861; 25085 was 19038; 25087 was 19039	2754-mm

**CUSTOMER DRAWING**

DIMENSIONS FOR REFERENCE ONLY

THIRD ANGLE PROJECTION

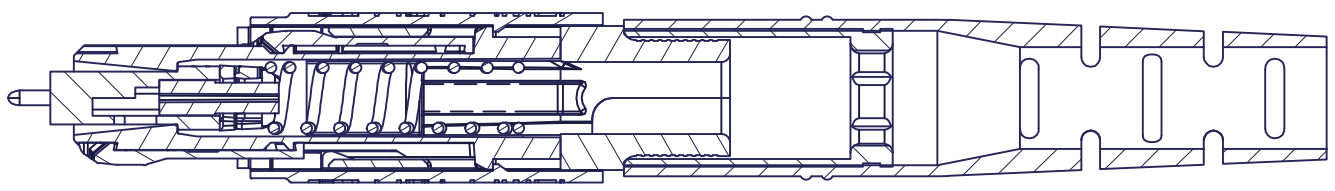
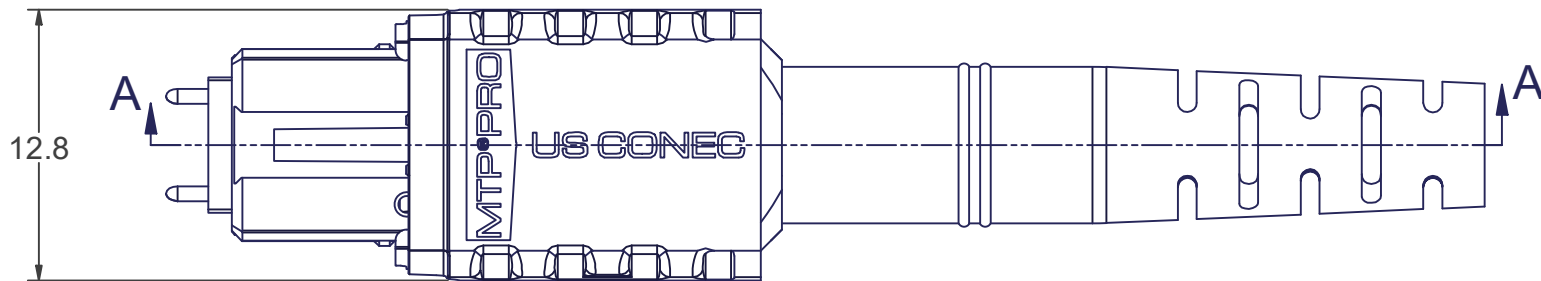
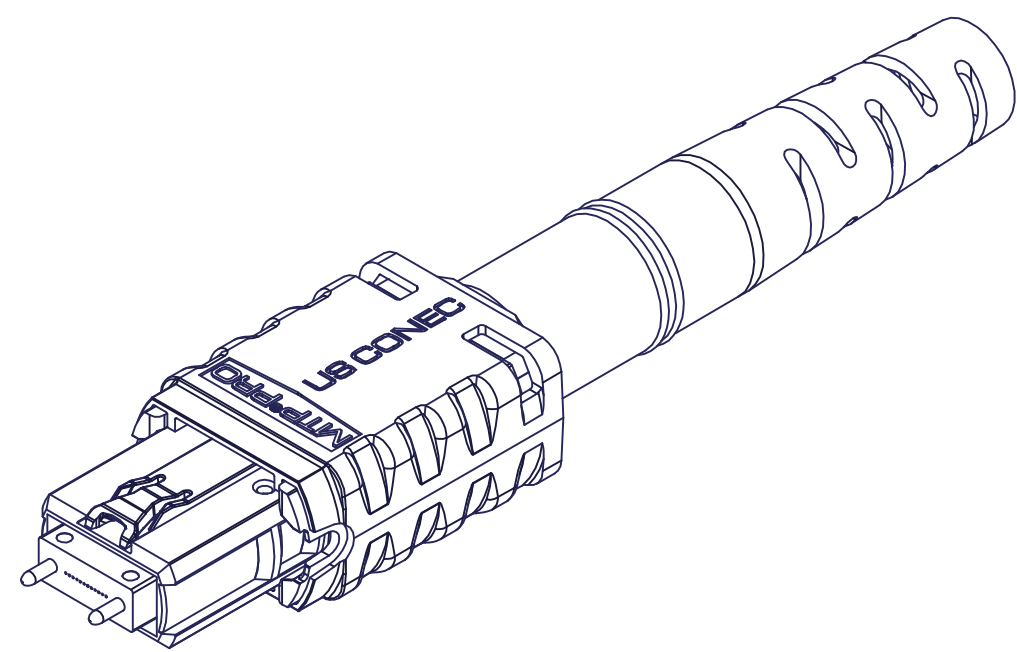
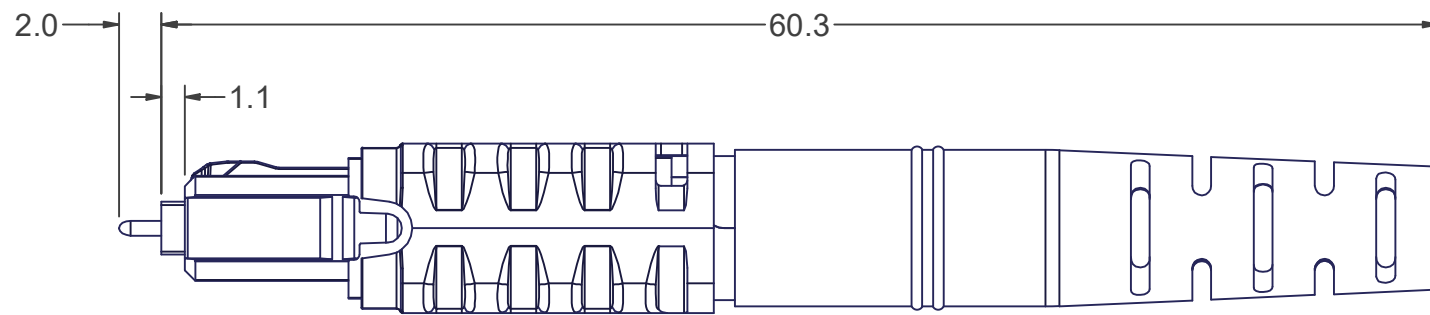
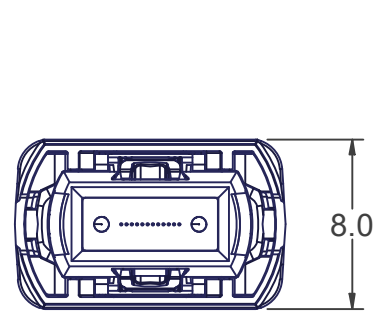
**METRIC/mm**

**USCONEC** Hickory, NC  
800-769-0944  
www.usconec.com

**TITLE**  
KIT, MTP® PRO CONNECTOR,  
3.8 - 4.2 mm ROUND CABLE

SIZE **A3** S&M Part No.: SEE TABLE DWG NO. **C18610** REV. **D**

SCALE N.T.S. Drafter **M.McCROSKEY** Date: **5/8/2018** SHEET 1 OF 2



SECTION A-A

▲ DENOTES CRITICAL DIMENSION

**USCONEC LTD. PROPRIETARY**  
 THIS DOCUMENT AND THE ASSOCIATED DATA CONTAIN RESTRICTED INFORMATION THAT IS USCONEC LTD. PROPERTY. DISCLOSE OR DUPLICATE FOR OTHERS ONLY AS AUTHORIZED BY USCONEC LTD.

**Material:**

REV.	DATE	DESCRIPTION	ECN

**CUSTOMER DRAWING**

DIMENSIONS FOR REFERENCE ONLY

THIRD ANGLE PROJECTION

**METRIC/mm**

**USCONEC** Hickory, NC  
 800-769-0944  
 www.usconec.com

**TITLE**  
 KIT, MTP® PRO CONNECTOR,  
 3.8 - 4.2 mm ROUND CABLE

SIZE <b>A3</b>	S&M Part No.: SEE TABLE	DWG NO. <b>C18610</b>	REV D
SCALE N.T.S.	Drafter M.McCROSKEY	Date: 5/8/2018	SHEET 2 OF 2