

4

3

2

1

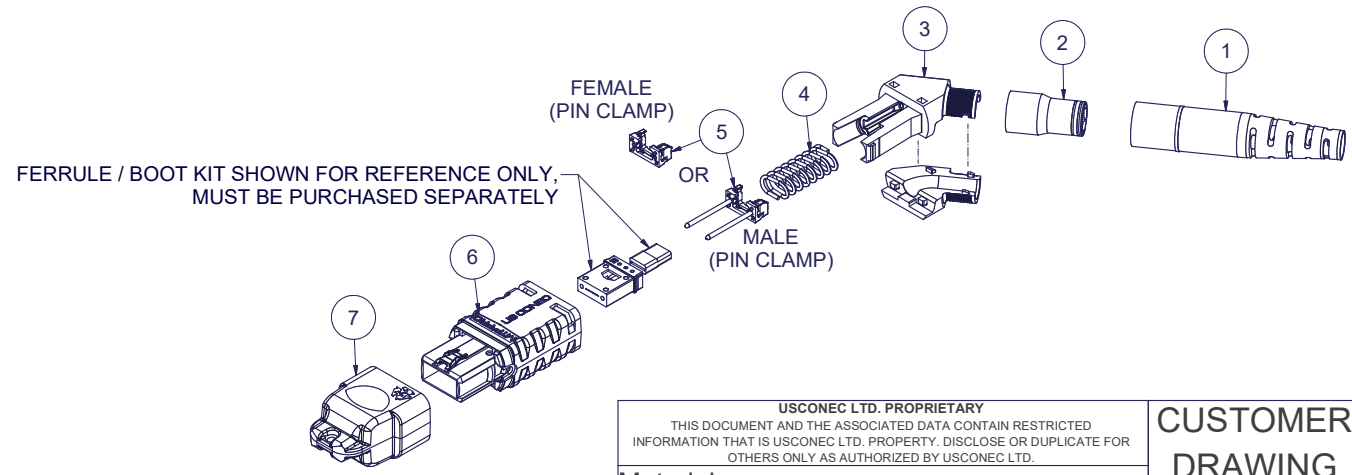
Parts List

ITEM	DESCRIPTION	PART NUMBER	QTY	NOTES
1	BOOT, ROUND, MTP®, 3.6mm	12165	1	
2	CRIMP BAND	17776	1	
3	SPRING PUSH, UNIVERSAL, 2 PC, ANGLED	19973	1	
4	SPRING, UNIVERSAL, 9.8N, MTP®	17167	1	
5	PIN CLAMP, MTP® PRO	SEE KIT TABLE COLUMN A	1	NOTE 1
6	HOUSING ASSY, MTP® PRO	SEE KIT TABLE COLUMN B	1	
7	DUST CAP, MTP®	17242	1	

KIT P/N	KIT DESCRIPTION	PERFORMANCE	COLUMN A PIN CLAMP P/N	COLUMN B HSG ASSY P/N	HSG COLOR
18598	KIT, MTP® PRO, FEMALE, MM MTP Elite®, 3.6 RND, ANGLED SPRING PUSH, AQUA	MM MTP Elite®	17861	18189	AQUA
18599	KIT, MTP® PRO, MALE, MM MTP Elite®, 3.6 RND, ANGLED SPRING PUSH, AQUA	MM MTP Elite®	19038	18189	AQUA
18600	KIT, MTP® PRO, FEMALE, MM MTP Elite®, 3.6 RND, ANGLED SPRING PUSH, HEATHER VIOLET	MM MTP Elite®	17861	18191	HEATHER VIOLET
18601	KIT, MTP® PRO, MALE, MM MTP Elite®, 3.6 RND, ANGLED SPRING PUSH, HEATHER VIOLET	MM MTP Elite®	19038	18191	HEATHER VIOLET
18602	KIT, MTP® PRO, FEMALE, SM MTP Elite®, 3.6 RND, ANGLED SPRING PUSH, GREEN	SM MTP Elite®	17861	18190	GREEN
18603	KIT, MTP® PRO, MALE, SM MTP Elite®, 3.6 RND, ANGLED SPRING PUSH, GREEN	SM MTP Elite®	19039	18190	GREEN
20996	KIT, MTP® PRO, FEMALE, MM MTP Elite®, 3.6 RND, ANGLED SPRING PUSH, LIME	MM MTP Elite®	17861	19486	LIME
20997	KIT, MTP® PRO, MALE, MM MTP Elite®, 3.6 RND, ANGLED SPRING PUSH, LIME	MM MTP Elite®	19038	19486	LIME

NOTES:

- 1. MALE CONNECTOR KIT HAS MALE PIN CLAMP ASSEMBLY, FEMALE CONNECTOR KIT HAS FEMALE PIN CLAMP ASSEMBLY



USCONEC LTD. PROPRIETARY
THIS DOCUMENT AND THE ASSOCIATED DATA CONTAIN RESTRICTED INFORMATION THAT IS USCONEC LTD. PROPERTY. DISCLOSE OR DUPLICATE FOR OTHERS ONLY AS AUTHORIZED BY USCONEC LTD.

Material:

REV	DATE	DESCRIPTION	ECN
X1	1/19/17	----	
A	5/20/20	ADD'D LIME KIT P/N'S 20996 & 20997; ADD'D VIEW W/ ADAPTER ON SHT 2	2089-mm
		INITIAL RELEASE	

CUSTOMER DRAWING

DIMENSIONS FOR REFERENCE ONLY

THIRD ANGLE PROJECTION

METRIC/mm

▲ DENOTES CRITICAL DIMENSION

USCONEC
Hickory, NC
800-769-0944
www.usconec.com

TITLE
KIT, MTP® PRO CONN., 3.4 - 3.8 mm
ROUND CBL, ANGLED SPRING PUSH

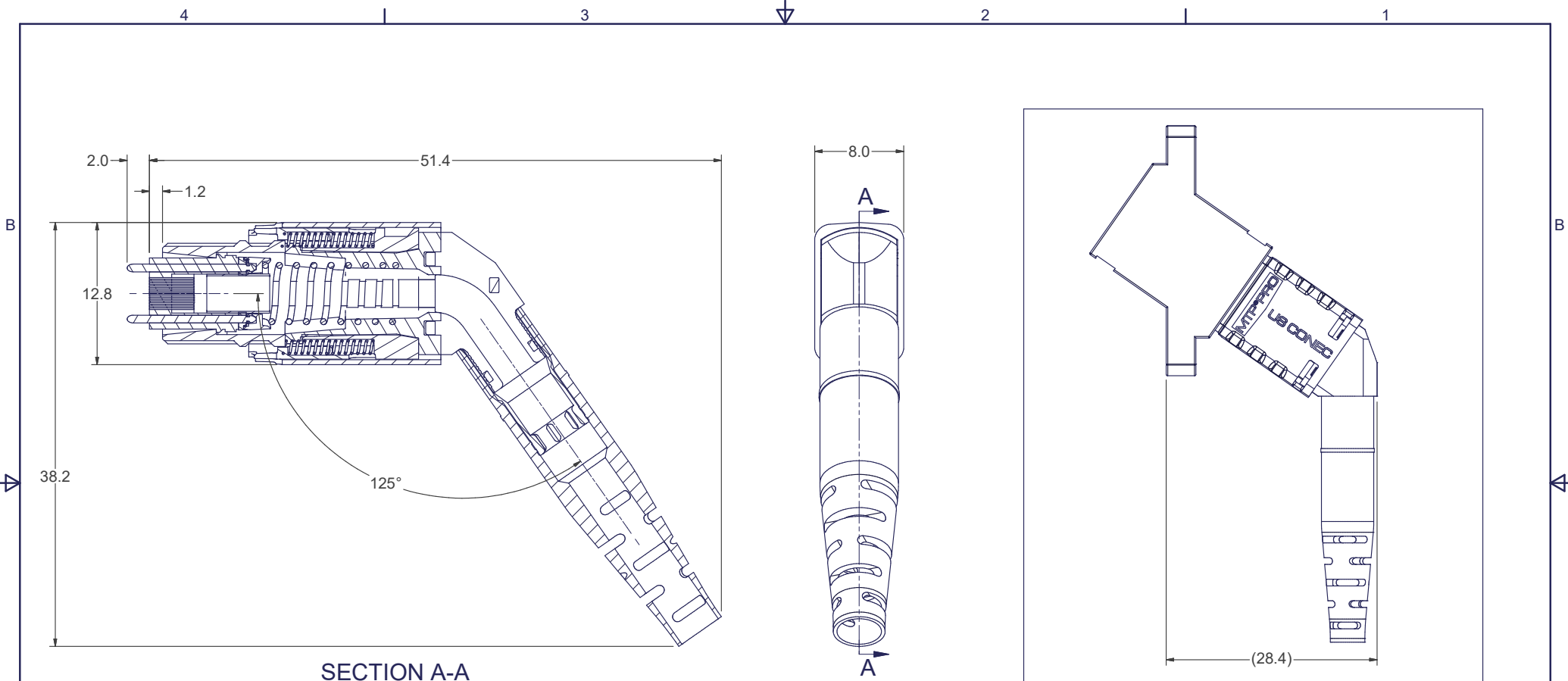
SIZE	S&M Part No.:	DWG NO.	REV
B	SEE TABLE	C18598	A
SCALE	Drafter	Date:	SHEET
N.T.S.	M.McCROSKEY	1/19/2017	1 OF 2

4

3

2

1



SECTION A-A

MTP® PRO CONNECTOR SHOWN WITH ANGLED MTP® ADAPTER
(ANGLED MTP® ADAPTER SOLD SEPARATELY)

▲ DENOTES CRITICAL DIMENSION

USCONEC LTD. PROPRIETARY
THIS DOCUMENT AND THE ASSOCIATED DATA CONTAIN RESTRICTED INFORMATION THAT IS USCONEC LTD. PROPERTY. DISCLOSE OR DUPLICATE FOR OTHERS ONLY AS AUTHORIZED BY USCONEC LTD.

Material:

REV	DATE	DESCRIPTION	ECN
		SEE SHEET 1	

CUSTOMER DRAWING

DIMENSIONS FOR REFERENCE ONLY

THIRD ANGLE PROJECTION

METRIC/mm

USCONEC

Hickory, NC
800-769-0944
www.usconec.com

TITLE
**KIT, MTP® PRO CONN., 3.4 - 3.8 mm
ROUND CBL, ANGLED SPRING PUSH**

SIZE B	S&M Part No.: SEE SHEET 1	DWG NO. C18598	REV A
SCALE N.T.S.	Drafter M. McCROSKEY	Date: 1/19/2017	SHEET 2 OF 2