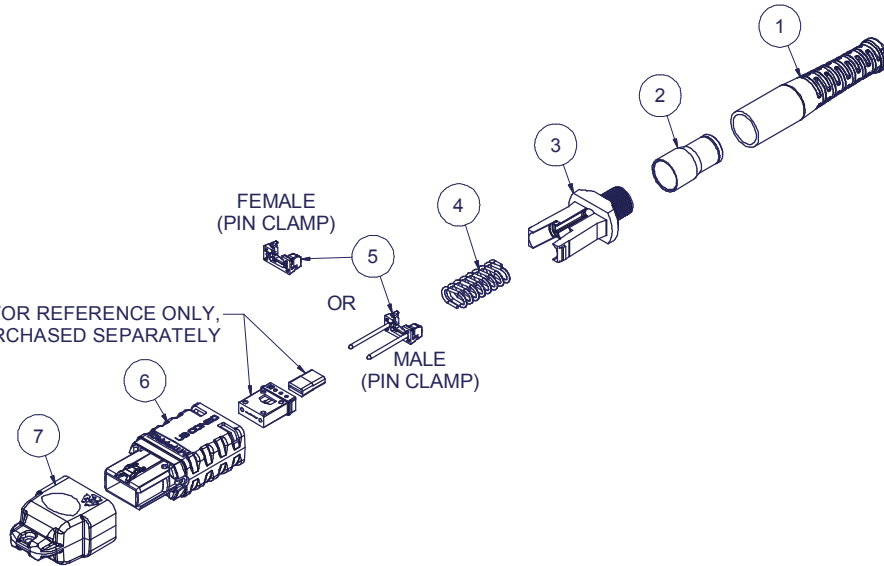


Parts List				
ITEM	DESCRIPTION	PART NUMBER	QTY	NOTES
1	BOOT, 3.6mm ROUND, MTP® FLEX	17065	1	
2	CRIMP BAND, ROUND, MTP®, 3.4 - 3.8 mm CABLES	16426	1	
3	SPRING PUSH, UNIVERSAL, 3.6 mm ROUND, MTP®	19738	1	
4	SPRING, UNIVERSAL, 9.8N, MTP®	17167	1	
5	PIN CLAMP, MTP® PRO	SEE KIT TABLE COLUMN A	1	NOTE 1
6	HOUSING ASSY, MTP® PRO	SEE KIT TABLE COLUMN B	1	
7	DUST CAP, MTP®	17242	1	

NOTES:
 1. MALE CONNECTOR KIT HAS MALE PIN CLAMP ASSEMBLY, FEMALE CONNECTOR KIT HAS FEMALE PIN CLAMP ASSEMBLY.

FERRULE / BOOT KIT SHOWN FOR REFERENCE ONLY, MUST BE PURCHASED SEPARATELY



KIT P/N	KIT DESCRIPTION	PERFORMANCE	COLUMN A	COLUMN B	HSG COLOR
			PIN CLAMP P/N	HSG ASSY P/N	
18586	KIT, MTP® PRO, FEMALE, MM MTP Elite®, 3.6 RND, MTP® FLEX BOOT, AQUA	MM MTP Elite®	17861	18189	AQUA
18587	KIT, MTP® PRO, MALE, MM MTP Elite®, 3.6 RND, MTP® FLEX BOOT, AQUA	MM MTP Elite®	19038	18189	AQUA
18588	KIT, MTP® PRO, FEMALE, MM MTP Elite®, 3.6 RND, MTP® FLEX BOOT, HEATHER VIOLET	MM MTP Elite®	17861	18191	HEATHER VIOLET
18589	KIT, MTP® PRO, MALE, MM MTP Elite®, 3.6 RND, MTP® FLEX BOOT, HEATHER VIOLET	MM MTP Elite®	19038	18191	HEATHER VIOLET
18590	KIT, MTP® PRO, FEMALE, SM MTP Elite®, 3.6 RND, MTP® FLEX BOOT, GREEN	SM MTP Elite®	17861	18190	GREEN
18591	KIT, MTP® PRO, MALE, SM MTP Elite®, 3.6 RND, MTP® FLEX BOOT, GREEN	SM MTP Elite®	19039	18190	GREEN
21064	KIT, MTP® PRO, FEMALE, MM MTP Elite®, 3.6 RND, MTP® FLEX BOOT, LIME	MM MTP Elite®	17861	19486	LIME
21065	KIT, MTP® PRO, MALE, MM MTP Elite®, 3.6 RND, MTP® FLEX BOOT, LIME	MM MTP Elite®	19038	19486	LIME

USCONEC LTD. PROPRIETARY
 THIS DOCUMENT AND THE ASSOCIATED DATA CONTAIN RESTRICTED INFORMATION THAT IS USCONEC LTD. PROPERTY. DISCLOSE OR DUPLICATE FOR OTHERS ONLY AS AUTHORIZED BY USCONEC LTD.

Material:

REV	DATE	DESCRIPTION	ECN
X1	9/13/18	---	2173-mm
A	11/7/18	INITIAL RELEASE	
B1	7/25/19	DEL'D ADAPTER ASSY DTL ON SHT 2; SPRING PUSH 19738 was 17747	
B	10/25/19	RELEASE	2231-mm
C	1/31/20	ADDED LIME P/N'S 21064 & 21065	

CUSTOMER DRAWING

DIMENSIONS FOR REFERENCE ONLY

THIRD ANGLE PROJECTION

METRIC/mm

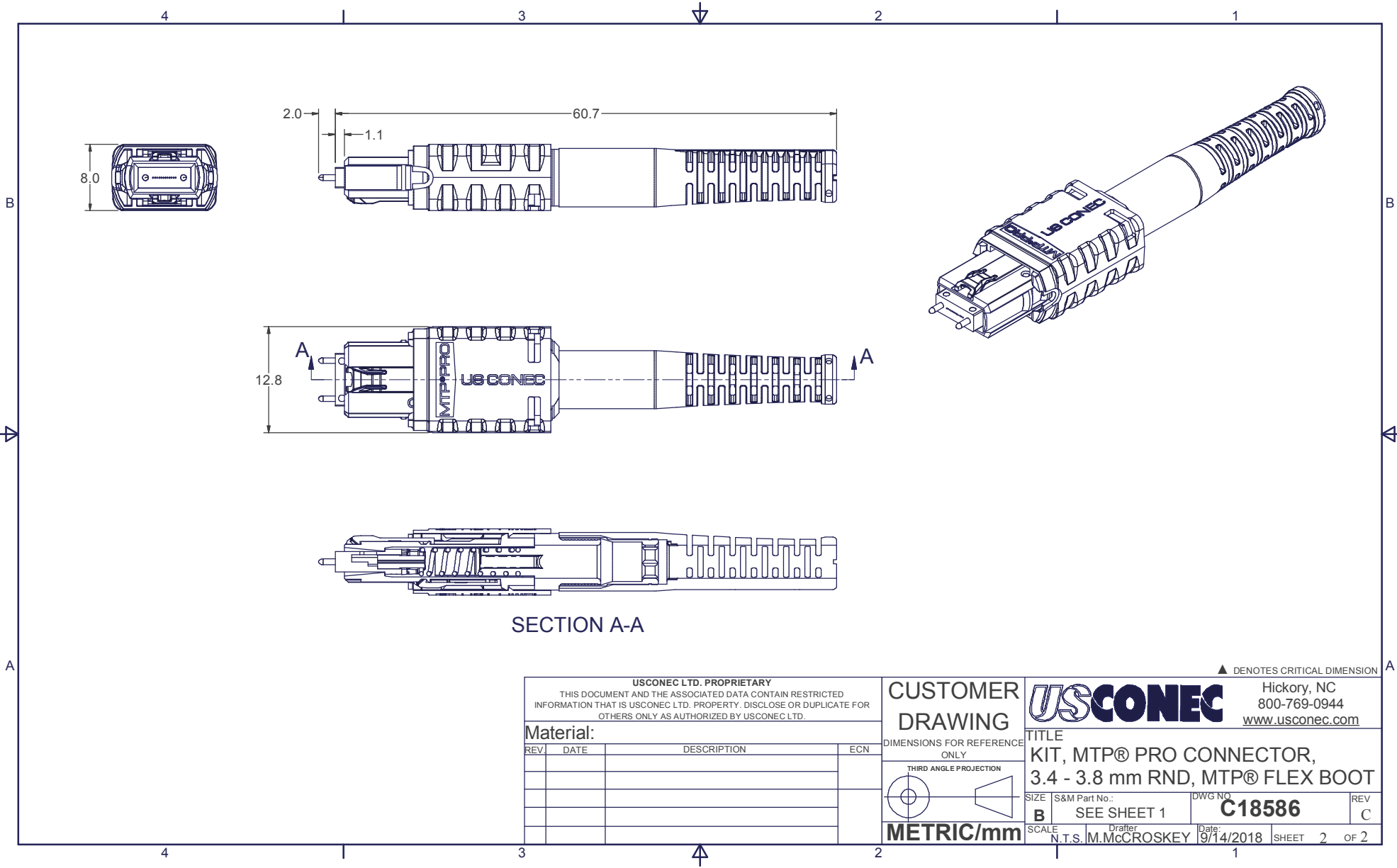
▲ DENOTES CRITICAL DIMENSION

USCONEC
 Hickory, NC
 800-769-0944
www.usconec.com

TITLE
KIT, MTP® PRO CONNECTOR, 3.4 - 3.8 mm RND, MTP® FLEX BOOT

SIZE	S&M Part No.:	DWG NO.	REV
B	SEE TABLE	C18586	C
SCALE	Drafter	Date:	
N.T.S.	M.McCROSKEY	9/14/2018	

SHEET 1 OF 2



SECTION A-A

USCONEC LTD. PROPRIETARY
 THIS DOCUMENT AND THE ASSOCIATED DATA CONTAIN RESTRICTED INFORMATION THAT IS USCONEC LTD. PROPERTY. DISCLOSE OR DUPLICATE FOR OTHERS ONLY AS AUTHORIZED BY USCONEC LTD.

Material:

REV	DATE	DESCRIPTION	ECN

CUSTOMER DRAWING

DIMENSIONS FOR REFERENCE ONLY

THIRD ANGLE PROJECTION

METRIC/mm

▲ DENOTES CRITICAL DIMENSION

USCONEC Hickory, NC
800-769-0944
www.usconec.com

TITLE
 KIT, MTP® PRO CONNECTOR,
 3.4 - 3.8 mm RND, MTP® FLEX BOOT

SIZE B	S&M Part No.: SEE SHEET 1	DWG NO. C18586	REV C
SCALE N.T.S.	Drafter M. McCROSKEY	Date: 9/14/2018	SHEET 2 OF 2