

4

3

2

1

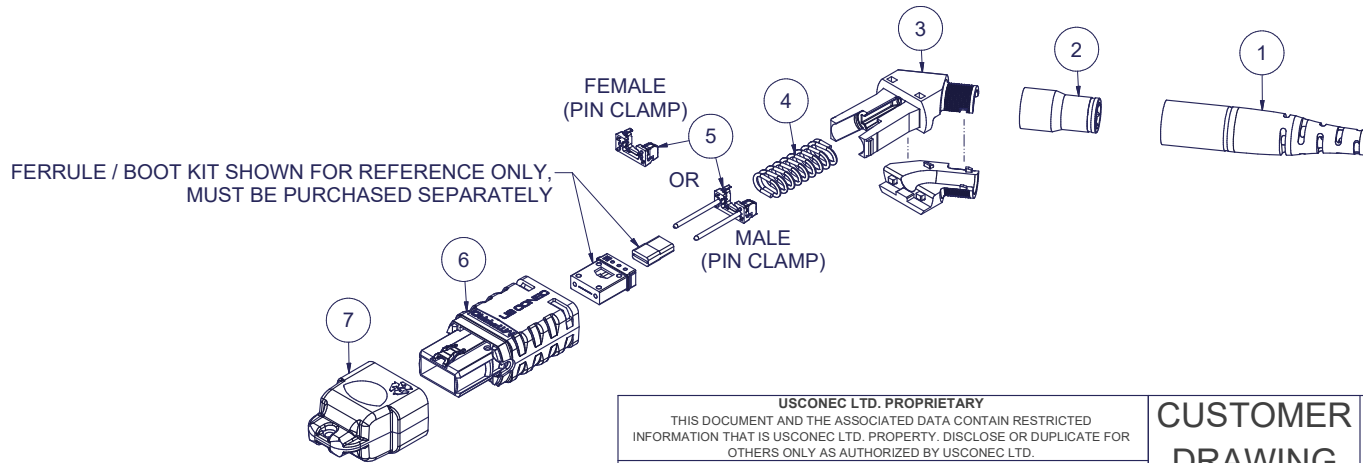
## Parts List

ITEM	DESCRIPTION	PART NUMBER	QTY	NOTES
1	BOOT, 3.0 CABLE, with 3.6 OD	16377	1	
2	CRIMP BAND	18365	1	
3	SPRING PUSH, UNIVERSAL, 2 PC, ANGLED	19973	1	
4	SPRING, UNIVERSAL, 20N	17698	1	
5	PIN CLAMP, MTP® PRO	SEE KIT TABLE COLUMN A	1	NOTE 1
6	HOUSING ASSY, MTP® PRO	SEE KIT TABLE COLUMN B	1	
7	DUST CAP, MTP®	17242	1	

KIT P/N	KIT DESCRIPTION	PERFORMANCE	COLUMN A PIN CLAMP P/N	COLUMN B HSG ASSY P/N	HSG COLOR
18556	KIT, MTP® PRO, FEMALE, MM MTP Elite®, 3.0 RND, ANGLED SPRING PUSH, HSF, AQUA	MM MTP Elite®	17861	18189	AQUA
18557	KIT, MTP® PRO, MALE, MM MTP Elite®, 3.0 RND, ANGLED SPRING PUSH, HSF, AQUA	MM MTP Elite®	19038	18189	AQUA
18558	KIT, MTP® PRO, FEMALE, MM MTP Elite®, 3.0 RND, ANGLED SPRING PUSH, HSF, HEATHER VIOLET	MM MTP Elite®	17861	18191	HEATHER VIOLET
18559	KIT, MTP® PRO, MALE, MM MTP Elite®, 3.0 RND, ANGLED SPRING PUSH, HSF, HEATHER VIOLET	MM MTP Elite®	19038	18191	HEATHER VIOLET
18560	KIT, MTP® PRO, FEMALE, SM MTP Elite®, 3.0 RND, ANGLED SPRING PUSH, HSF, GREEN	SM MTP Elite®	17861	18190	GREEN
18561	KIT, MTP® PRO, MALE, SM MTP Elite®, 3.0 RND, ANGLED SPRING PUSH, HSF, GREEN	SM MTP Elite®	19039	18190	GREEN
20998	KIT, MTP® PRO, FEMALE, MM MTP Elite®, 3.0 RND, ANGLED SPRING PUSH, HSF, LIME	MM MTP Elite®	17861	19486	LIME
20999	KIT, MTP® PRO, MALE, MM MTP Elite®, 3.0 RND, ANGLED SPRING PUSH, HSF, LIME	MM MTP Elite®	19038	19486	LIME

## NOTES:

1. MALE CONNECTOR KIT HAS MALE PIN CLAMP ASSEMBLY,  
FEMALE CONNECTOR KIT HAS FEMALE PIN CLAMP ASSEMBLY



▲ DENOTES CRITICAL DIMENSION

USCONEC LTD. PROPRIETARY			
THIS DOCUMENT AND THE ASSOCIATED DATA CONTAIN RESTRICTED INFORMATION THAT IS USCONEC LTD. PROPERTY. DISCLOSE OR DUPLICATE FOR OTHERS ONLY AS AUTHORIZED BY USCONEC LTD.			
<b>Material:</b>			
REV	DATE	DESCRIPTION	ECN
X1	1/19/17	----	
A	5/20/20	ADD'D LIME KIT P/N'S 20998 & 20999; ADD'D VIEW W/ ADAPTER ON SHT 2	2089-mm
		INITIAL RELEASE	

**CUSTOMER DRAWING**

DIMENSIONS FOR REFERENCE ONLY

THIRD ANGLE PROJECTION



**METRIC/mm**

**USCONEC**

Hickory, NC  
800-769-0944  
www.usconec.com

TITLE  
KIT, MTP® PRO CONN., 2.8 - 3.2 mm RND CBL, ANGLED SPRING PUSH, HIGH SPRING FORCE

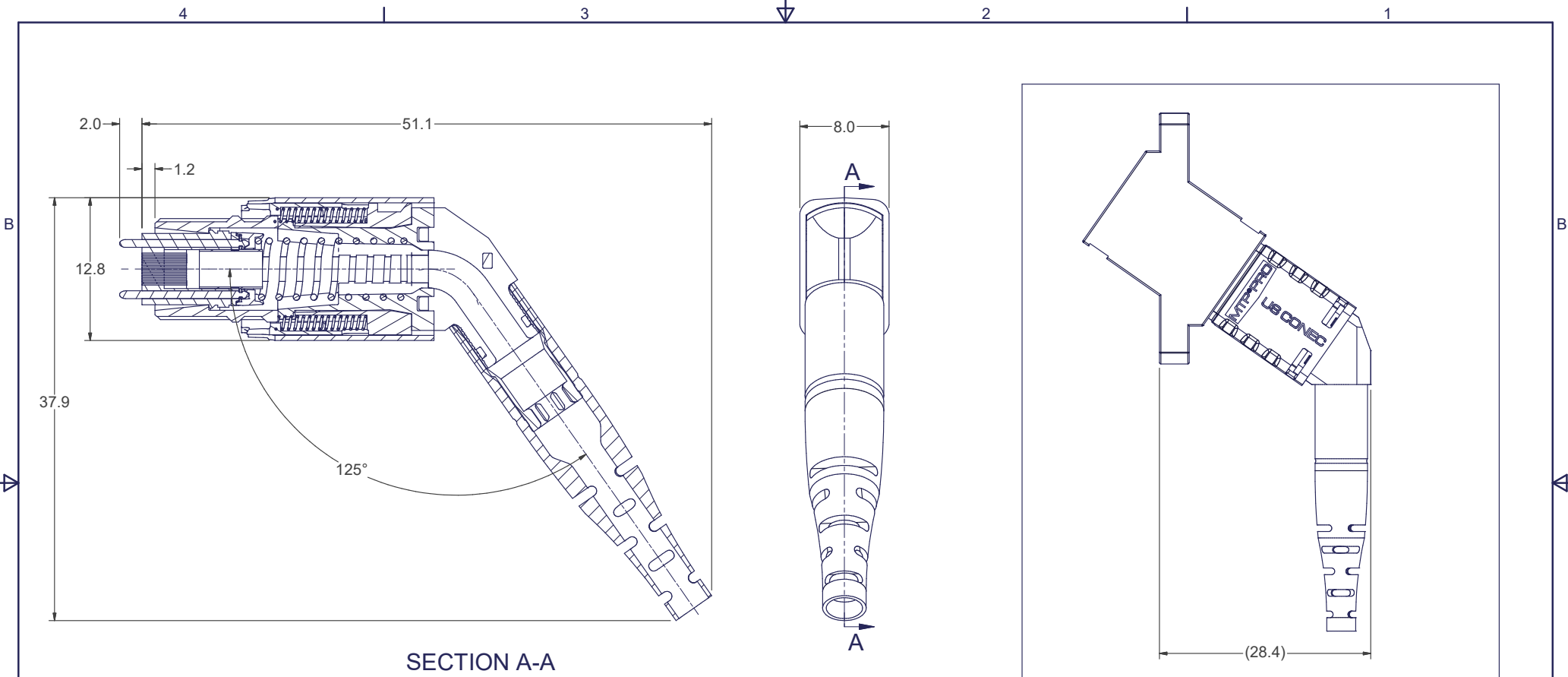
SIZE	S&M Part No.:	DWG NO.	REV
B	SEE TABLE	<b>C18556</b>	A
SCALE	Drafter	Date:	SHEET
N.T.S.	M.McCROSKY	1/19/2017	1 OF 2

4

3

2

1



**USCONEC LTD. PROPRIETARY**  
THIS DOCUMENT AND THE ASSOCIATED DATA CONTAIN RESTRICTED INFORMATION THAT IS USCONEC LTD. PROPERTY. DISCLOSE OR DUPLICATE FOR OTHERS ONLY AS AUTHORIZED BY USCONEC LTD.

**Material:**

REV	DATE	DESCRIPTION	ECN
		SEE SHEET 1	

**CUSTOMER DRAWING**

DIMENSIONS FOR REFERENCE ONLY

THIRD ANGLE PROJECTION

**METRIC/mm**

▲ DENOTES CRITICAL DIMENSION

**USCONEC** Hickory, NC  
800-769-0944  
www.usconec.com

**TITLE**  
KIT, MTP@ PRO CONN., 2.8 - 3.2 mm RND CBL,  
ANGLED SPRING PUSH, HIGH SPRING FORCE

SIZE	S&M Part No.:	DWG NO.	REV
<b>B</b>	SEE SHEET 1	<b>C18556</b>	<b>A</b>
SCALE	Drafter	Date:	SHEET
N.T.S.	M. McCROSKEY	1/19/2017	2 OF 2