

4

3

2

1

Parts List

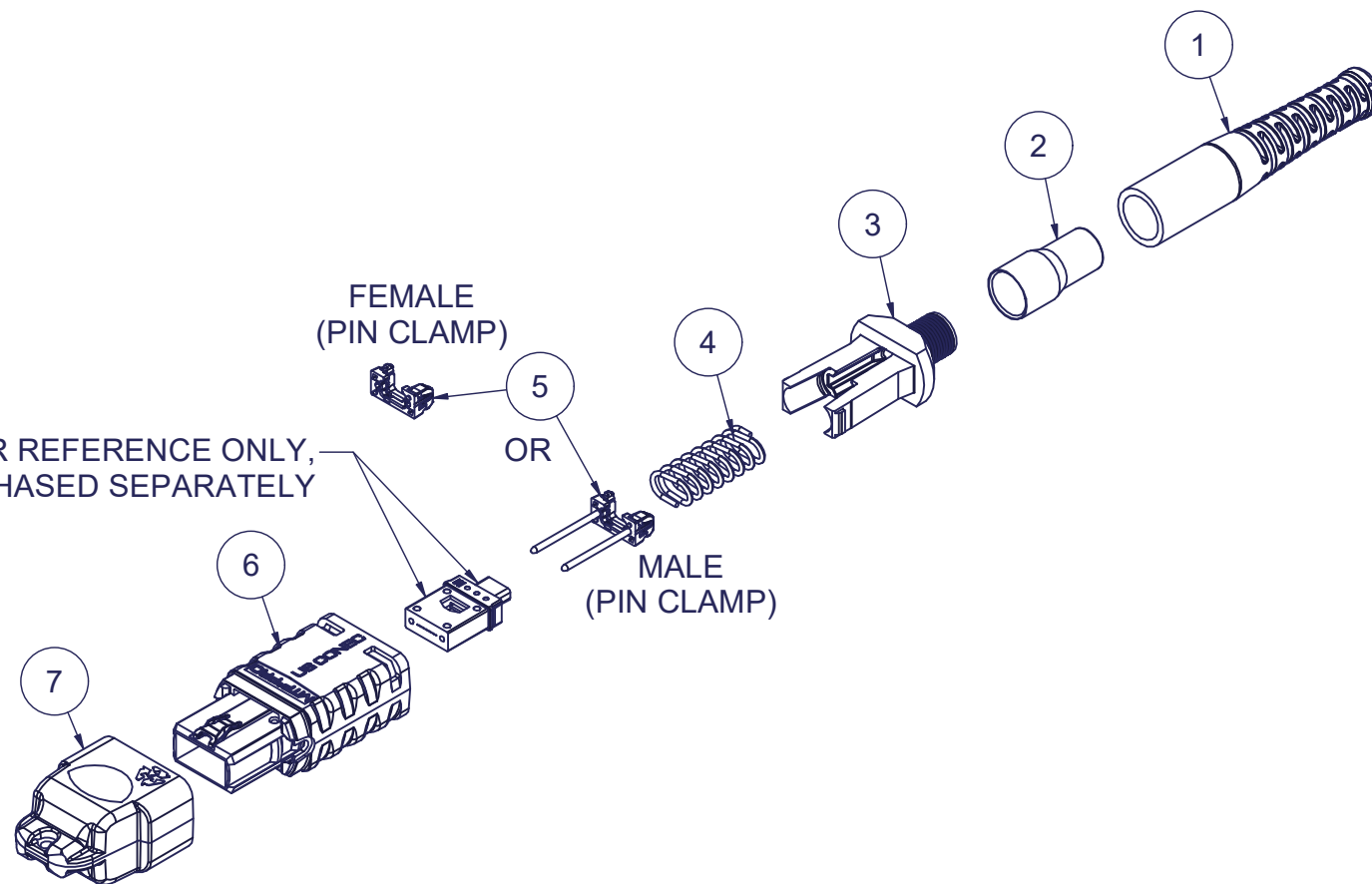
ITEM	DESCRIPTION	PART NUMBER	QTY	NOTES
1	BOOT, ROUND, MTP®	15960	1	
2	CRIMP BAND, 3.0 ROUND, MTP®	15633	1	
3	SPRING PUSH, UNIV., 3.0mm RND	19692	1	
4	SPRING, UNIVERSAL, 9.8N, MTP®	17167	1	
5	PIN CLAMP, MTP® PRO	SEE KIT TABLE COLUMN A	1	NOTE 1
6	HOUSING ASSY, MTP® PRO	SEE KIT TABLE COLUMN B	1	
7	DUST CAP, MTP®	17242	1	

KIT P/N	KIT DESCRIPTION	PERFORMANCE	COLUMN A PIN CLAMP P/N	COLUMN B HSG ASSY P/N	HSG COLOR
18538	KIT, MTP® PRO, FEMALE, MM MTP Elite®, 3.0 RND, W/ MTP® FLEX CBL BOOT, AQUA HSG	MM MTP Elite®	25084	18189	AQUA
18539	KIT, MTP® PRO, MALE, MM MTP Elite®, 3.0 RND, W/ MTP® FLEX CBL BOOT, AQUA HSG	MM MTP Elite®	25085	18189	AQUA
18540	KIT, MTP® PRO, FEMALE, MM MTP Elite®, 3.0 RND, W/ MTP® FLEX CBL BOOT, HEATHER VIOLET HSG	MM MTP Elite®	25084	18191	HEATHER VIOLET
18541	KIT, MTP® PRO, MALE, MM MTP Elite®, 3.0 RND, W/ MTP® FLEX CBL BOOT, HEATHER VIOLET HSG	MM MTP Elite®	25085	18191	HEATHER VIOLET
18542	KIT, MTP® PRO, FEMALE, SM MTP Elite®, 3.0 RND, W/ MTP® FLEX CBL BOOT, GREEN HSG	SM MTP Elite®	25084	18190	GREEN
18543	KIT, MTP® PRO, MALE, SM MTP Elite®, 3.0 RND, W/ MTP® FLEX CBL BOOT, GREEN HSG	SM MTP Elite®	25087	18190	GREEN
21062	KIT, MTP® PRO, FEMALE, MM MTP Elite®, 3.0 RND, W/ MTP® FLEX CBL BOOT, LIME HSG	MM MTP Elite®	25084	19486	LIME
21063	KIT, MTP® PRO, MALE, MM MTP Elite®, 3.0 RND, W/ MTP® FLEX CBL BOOT, LIME HSG	MM MTP Elite®	25085	19486	LIME

NOTES:

1. MALE CONNECTOR KIT HAS MALE PIN CLAMP ASSEMBLY, FEMALE CONNECTOR KIT HAS FEMALE PIN CLAMP ASSEMBLY.

FERRULE / BOOT KIT SHOWN FOR REFERENCE ONLY, MUST BE PURCHASED SEPARATELY



▲ DENOTES CRITICAL DIMENSION

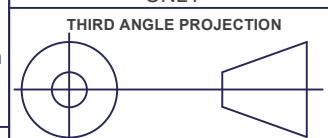
USCONEC LTD. PROPRIETARY  
THIS DOCUMENT AND THE ASSOCIATED DATA CONTAIN RESTRICTED INFORMATION THAT IS USCONEC LTD. PROPERTY. DISCLOSE OR DUPLICATE FOR OTHERS ONLY AS AUTHORIZED BY USCONEC LTD.

**Material:**

REV.	DATE	DESCRIPTION	ECN
B1	7/25/19	SPRING PUSH 19692 was 17428; DEL'D ADAPTER ASSY DTL ON SHT 2	2231-mm
B	10/25/19	RELEASE	
C	1/31/20	ADDED LIME P/N'S 21062 & 21063	2750-mm
D	4/11/25	PIN CLAMP CHGS: 25084 was 17861; 25085 was 19038; 25087 was 19039	

CUSTOMER DRAWING

DIMENSIONS FOR REFERENCE ONLY

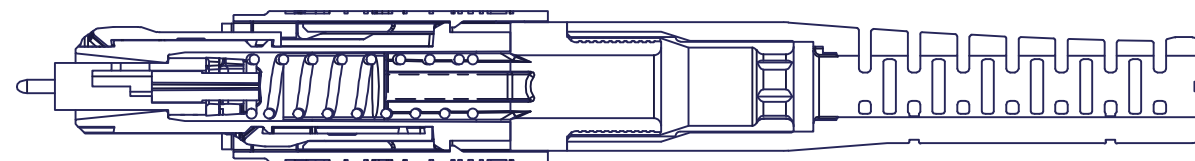
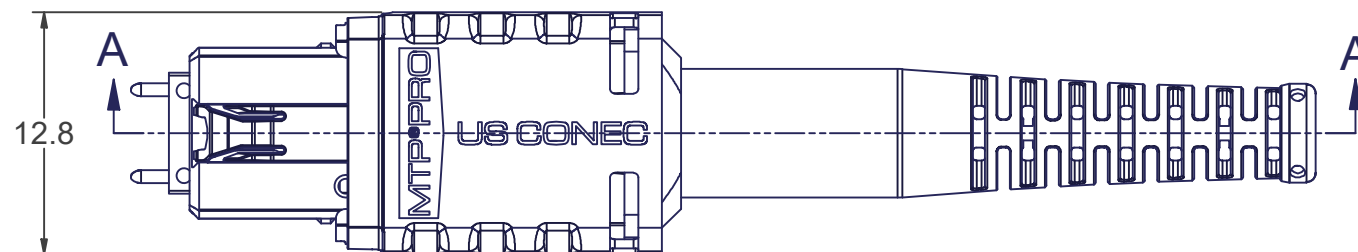
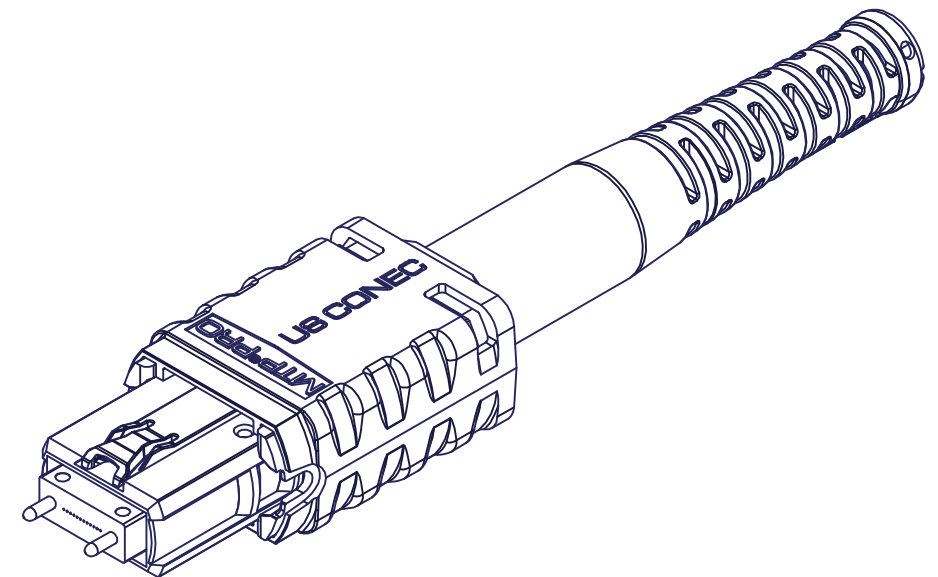
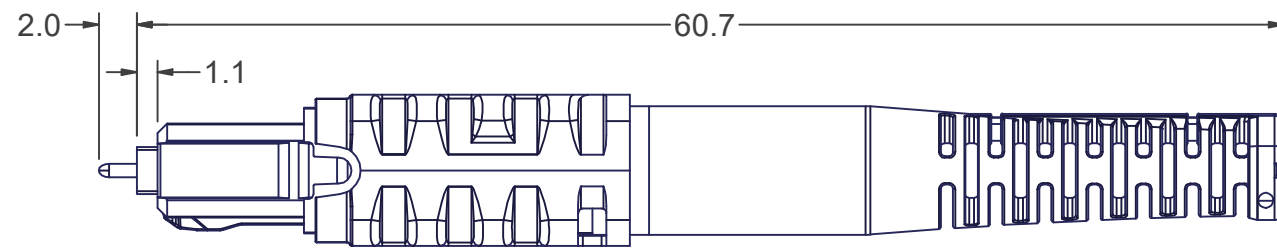
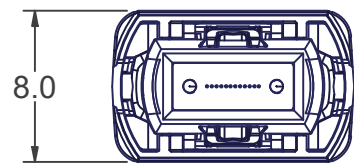


METRIC/mm

**USCONEC** Hickory, NC  
800-769-0944  
www.usconec.com

TITLE  
KIT, MTP® PRO CONNECTOR, 2.8 - 3.2 mm RND, W/ MTP® FLEX CBL BOOT

SIZE <b>B</b>	S&M Part No.: SEE TABLE	DWG NO. <b>C18538</b>	REV <b>D</b>
SCALE N.T.S.	Drafter M.McCROSKEY	Date: 9/14/2018	SHEET 1 OF 2



SECTION A-A

▲ DENOTES CRITICAL DIMENSION

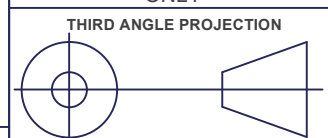
**USCONEC LTD. PROPRIETARY**  
 THIS DOCUMENT AND THE ASSOCIATED DATA CONTAIN RESTRICTED INFORMATION THAT IS USCONEC LTD. PROPERTY. DISCLOSE OR DUPLICATE FOR OTHERS ONLY AS AUTHORIZED BY USCONEC LTD.

**Material:**

REV.	DATE	DESCRIPTION	ECN

**CUSTOMER DRAWING**

DIMENSIONS FOR REFERENCE ONLY



**METRIC/mm**

**USCONEC** Hickory, NC  
 800-769-0944  
 www.usconec.com

**TITLE**  
 KIT, MTP® PRO CONNECTOR, 2.8 - 3.2 mm RND, W/ MTP® FLEX CBL BOOT

SIZE <b>B</b>	S&M Part No.: SEE SHEET 1	DWG NO. <b>C18538</b>	REV D
SCALE N.T.S.	Drafter M.McCROSKEY	Date: 9/14/2018	SHEET 2 OF 2