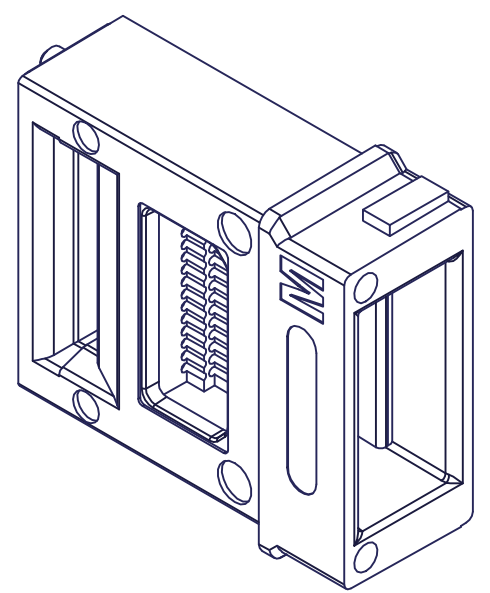
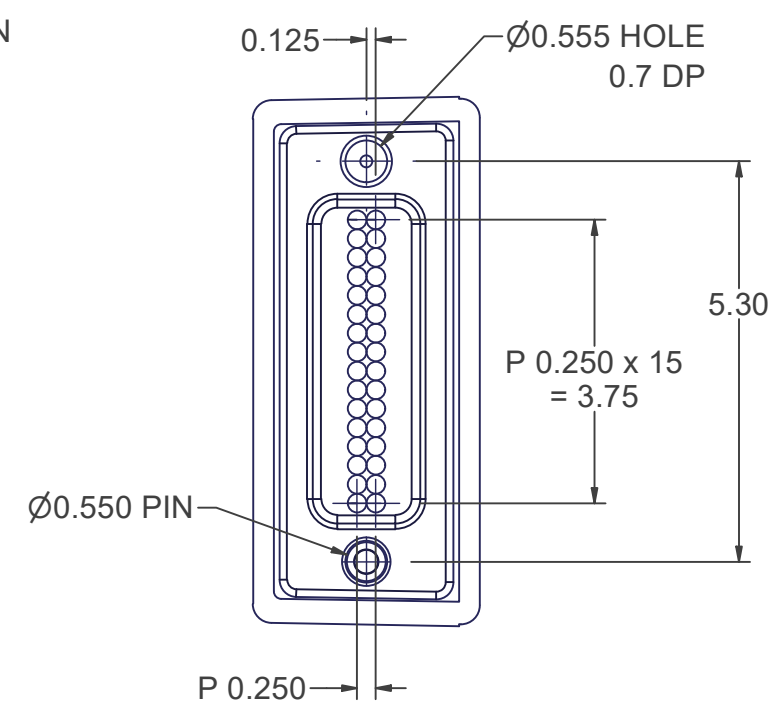
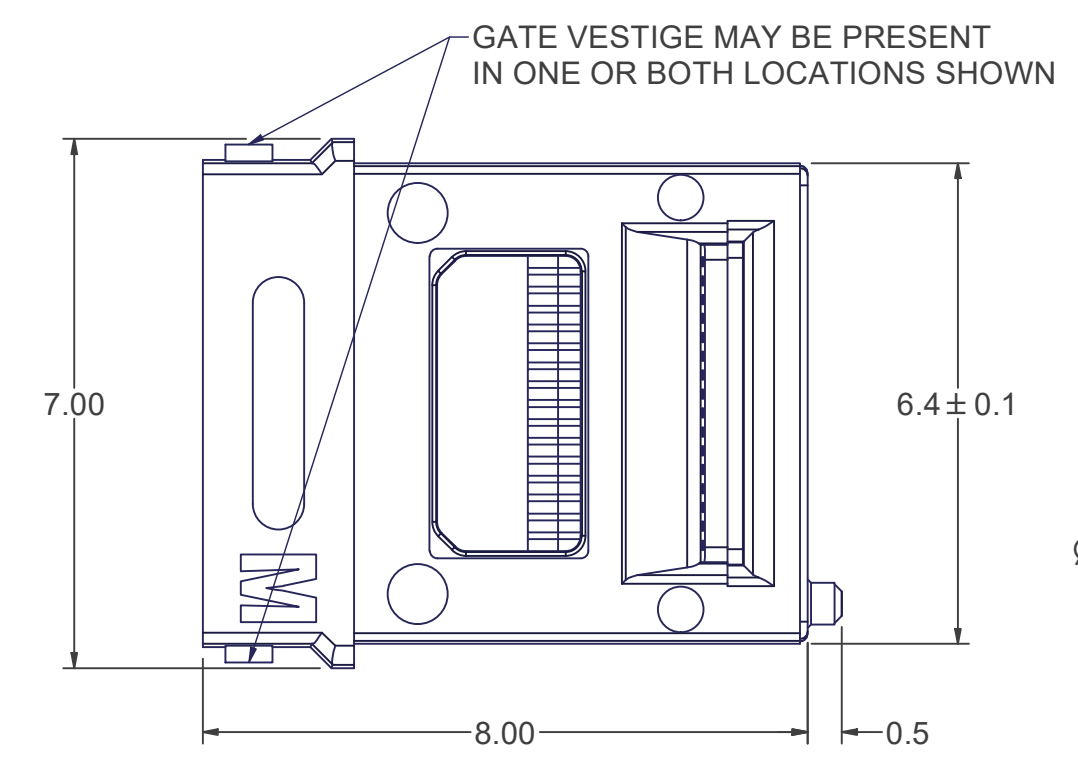
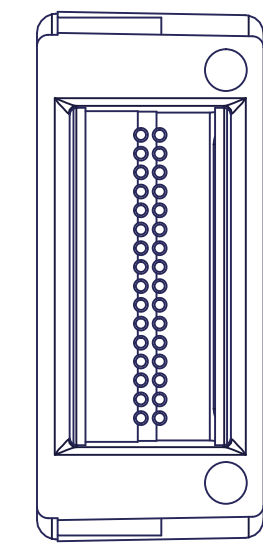
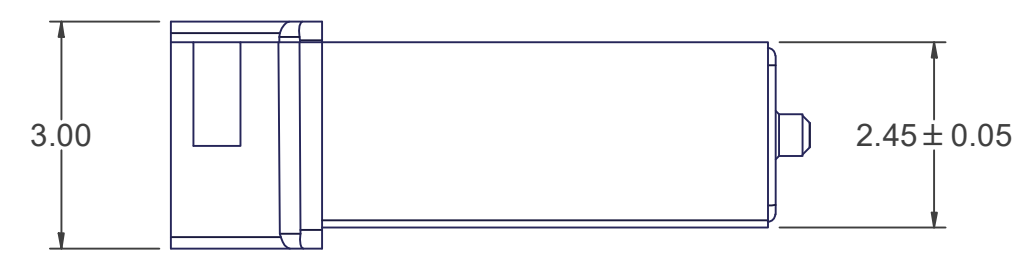
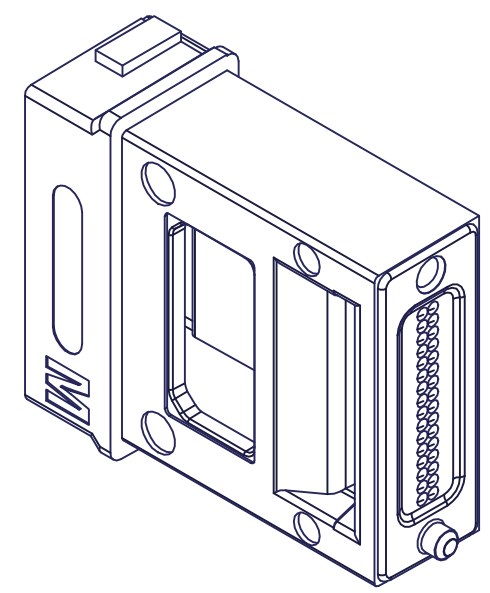


FIBER COUNT	PART NUMBER	DESCRIPTION	ACTIVE CHANNELS	WAVELENGTH
2X16	18320	Ferrule_PRIZM® MT_2X16_MM	16 CHANNELS, ROWS B & C	-
	19884	Ferrule_PRIZM® MT_2X16_MM_850AR	16 CHANNELS, ROWS B & C	850



▲ DENOTES CRITICAL DIMENSION

NOTES:
 1. COLOR: TRANSPARENT
 2. SEE SHEET 2 FOR LENS POSITION DIAGRAM

USCONEC LTD. PROPRIETARY
 THIS DOCUMENT AND THE ASSOCIATED DATA CONTAIN RESTRICTED INFORMATION THAT IS USCONEC LTD. PROPERTY. DISCLOSE OR DUPLICATE FOR OTHERS ONLY AS AUTHORIZED BY USCONEC LTD.

Material: MAT'L SPEC #C16653

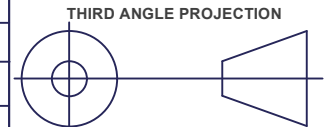
REV.	DATE	DESCRIPTION	ECN
A	10/16/19	INITIAL RELEASE	1982-rr
B	1/30/20	ADDED P/N TABLE	1982-bh
C1	9/3/20	ADDED GATE VESTIGE NOTE	2306-rr
C	12/08/20	RELEASE	2306-rr
D	7/20/22	OBSOLETE P/N's 21627	2179-mm

CUSTOMER DRAWING

USCONEC Hickory, NC
 800-769-0944
 www.usconec.com

DIMENSIONS FOR REFERENCE ONLY

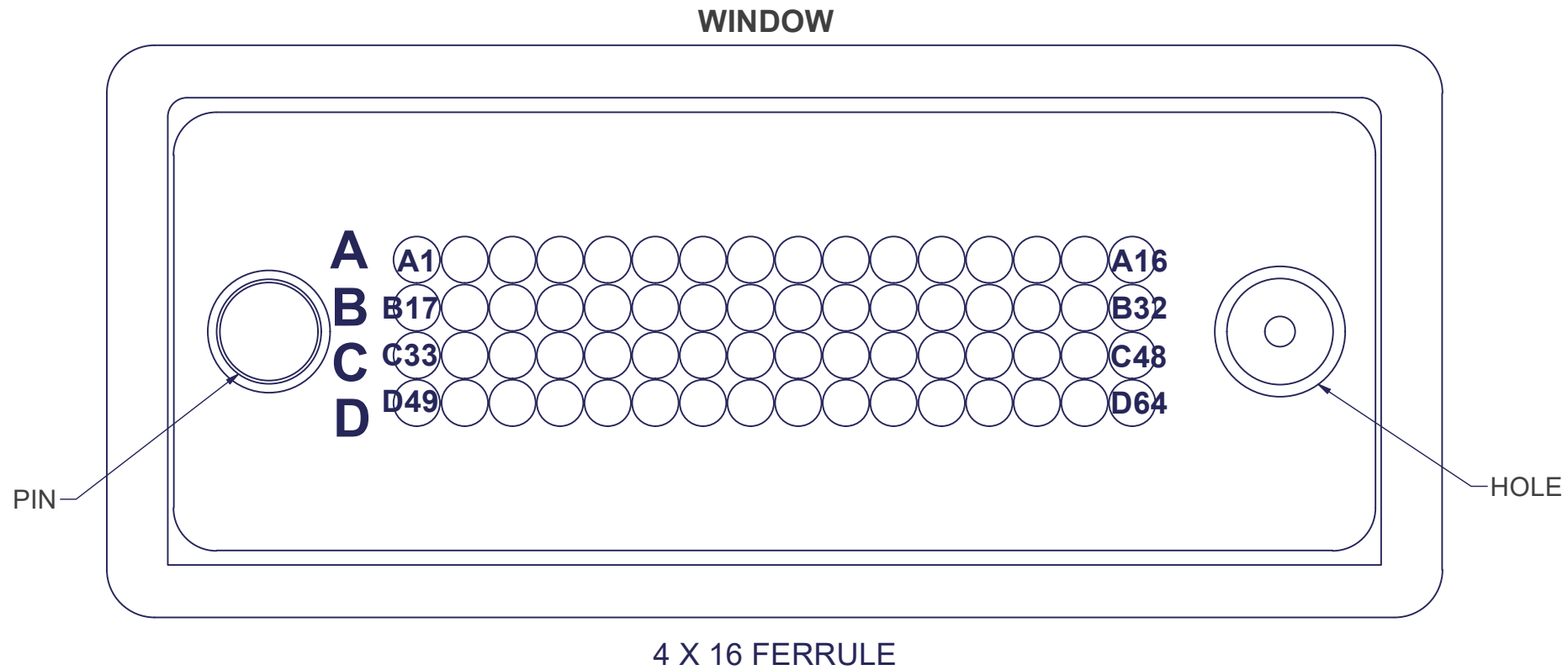
TITLE FERRULE, PRIZM® MT, 2x16, MM, NO SPRING SEAT



SIZE B	S&M Part No.: 18320	DWG NO. C18320	REV D
SCALE N.T.S.	Drafter B. HENLEY	Date: 7/13/2018	SHEET 1 OF 2

METRIC/mm

ROW & LENS POSITIONS



LENS POSITION DOESN'T CHANGE
REGARDLESS OF THE
NUMBER OF LENSES

- Use Row C for a 1 row Ferrule
- Use Rows B & C for a 2 row Ferrule
- Use Rows B, C, & D for a 3 row Ferrule

▲ DENOTES CRITICAL DIMENSION

USCONEC LTD. PROPRIETARY
THIS DOCUMENT AND THE ASSOCIATED DATA CONTAIN RESTRICTED INFORMATION THAT IS USCONEC LTD. PROPERTY. DISCLOSE OR DUPLICATE FOR OTHERS ONLY AS AUTHORIZED BY USCONEC LTD.

Material: MAT'L SPEC #C16653

REV.	DATE	DESCRIPTION	ECN

CUSTOMER DRAWING

DIMENSIONS FOR REFERENCE ONLY

THIRD ANGLE PROJECTION

METRIC/mm

USCONEC Hickory, NC
800-769-0944
www.usconec.com

TITLE FERRULE, PRIZM® MT,
2x16, MM, NO SPRING SEAT

SIZE B	S&M Part No.: 18320	DWG NO. C18320	REV D
SCALE N.T.S.	Drafter B. HENLEY	Date: 7/13/2018	SHEET 2 OF 2