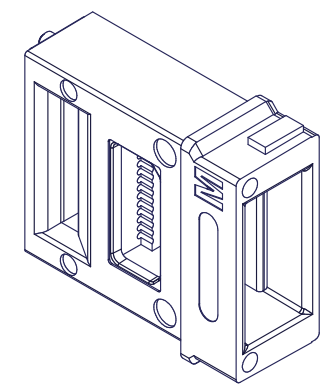
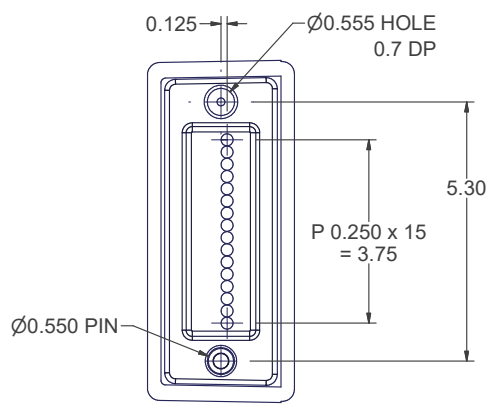
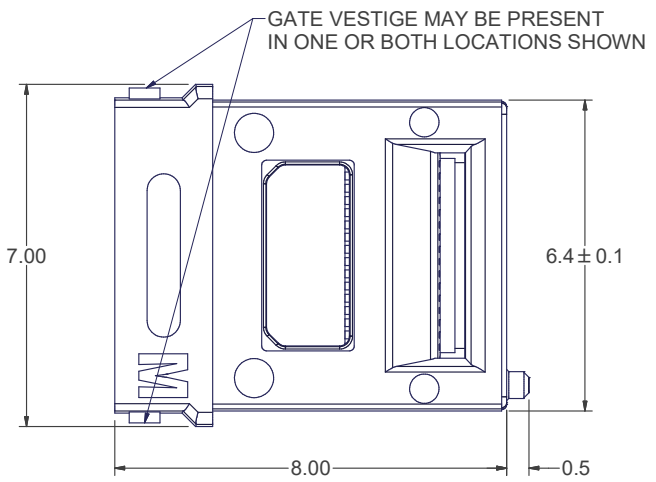
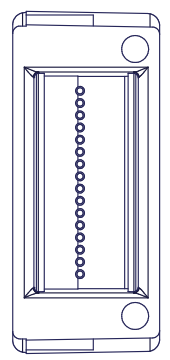
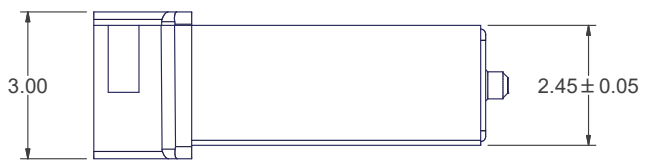
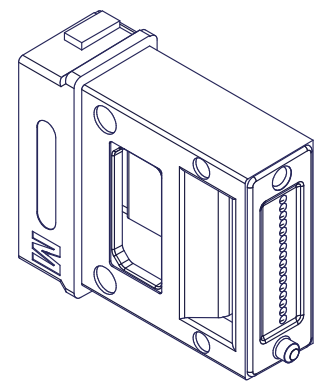


8	7	6	5	4	3
FIBER COUNT	PART NUMBER	DESCRIPTION	ACTIVE CHANNELS	WAVELENGTH	
1X16	18318	Ferrule_PRIZM® MT_1X16_MM	16 CHANNELS, ROW C	-	
	19883	Ferrule_PRIZM® MT_1X16_MM_850AR	16 CHANNELS, ROW C	850	
	21626	Ferrule_PRIZM® MT_1X16_MM_1027AR	16 CHANNELS, ROW C	1027	



**NOTES:**  
 1. COLOR: TRANSPARENT  
 2. SEE SHEET 2 FOR LENS POSITION DIAGRAM

USCONEC LTD. PROPRIETARY  
 THIS DOCUMENT AND THE ASSOCIATED DATA CONTAIN RESTRICTED INFORMATION THAT IS USCONEC LTD. PROPERTY. DISCLOSE OR DUPLICATE FOR OTHERS ONLY AS AUTHORIZED BY USCONEC LTD.

Material: MAT'L SPEC #C16653

REV	DATE	DESCRIPTION	ECN
X1	7/13/18	-	01982
X2	8/7/19	REVISED NOTES	01982
A	10/16/19	INITIAL RELEASE	1982-rr
B	1/30/20	ADDED P/N TABLE	1982-bh
C1	9/3/20	ADDED GATE VESTIGE NOTE	2306-rr
C	12/08/20	RELEASE	2306-rr

**CUSTOMER DRAWING**  
 DIMENSIONS FOR REFERENCE ONLY  
 THIRD ANGLE PROJECTION

**METRIC/mm**

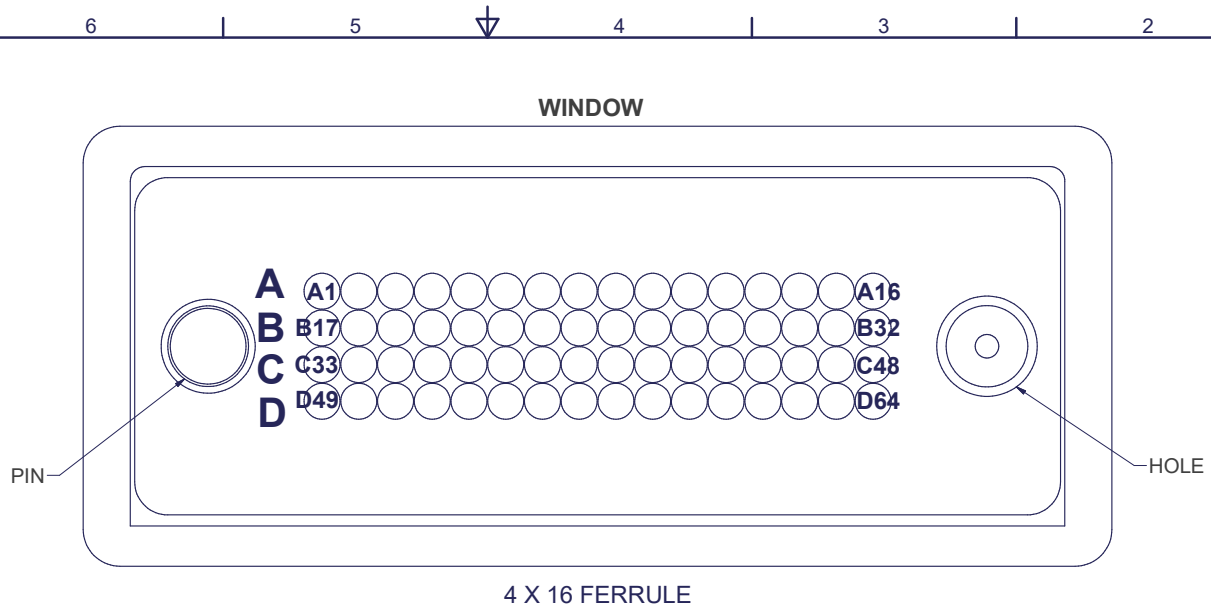
▲ DENOTES CRITICAL DIMENSION

**USCONEC** Hickory, NC  
 800-769-0944  
 www.usconec.com

TITLE: **FERRULE, PRIZM® MT, 1x16, MM, NO SPRING SEAT**

SIZE	S&M Part No.: 18318	DWG NO.	REV
B		<b>C18318</b>	C
SCALE	Drafter	Date:	SHEET
N.T.S.	B. HENLEY	7/13/2018	1 OF 2

# ROW & LENS POSITIONS



LENS POSITION DOESN'T CHANGE  
REGARDLESS OF THE  
NUMBER OF LENSES

- Use Row C for a 1 row Ferrule
- Use Rows B & C for a 2 row Ferrule
- Use Rows B, C, & D for a 3 row Ferrule

▲ DENOTES CRITICAL DIMENSION

<b>USCONEC LTD. PROPRIETARY</b> THIS DOCUMENT AND THE ASSOCIATED DATA CONTAIN RESTRICTED INFORMATION THAT IS USCONEC LTD. PROPERTY. DISCLOSE OR DUPLICATE FOR OTHERS ONLY AS AUTHORIZED BY USCONEC LTD.			
<b>Material:</b>		MAT'L SPEC #C16653	
REV.	DATE	DESCRIPTION	ECN

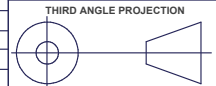
**CUSTOMER DRAWING**



Hickory, NC  
800-769-0944  
www.usconec.com

DIMENSIONS FOR REFERENCE ONLY

TITLE  
**FERRULE, PRIZM® MT,  
1x16, MM, NO SPRING SEAT**



**METRIC/mm**

SIZE	S&M Part No.:	DWG NO.	REV
<b>B</b>	18318	<b>C18318</b>	<b>C</b>
SCALE	Drafter	Date:	SHEET
N.T.S.	B. HENLEY	7/13/2018	2 OF 2