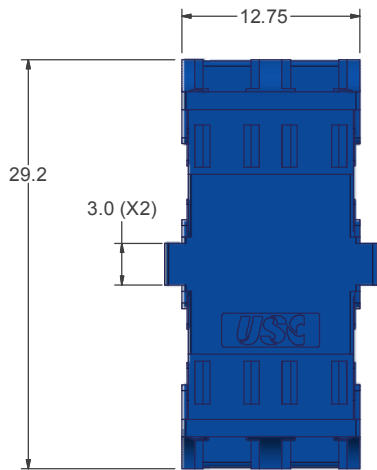
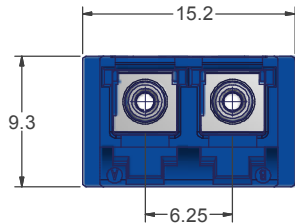
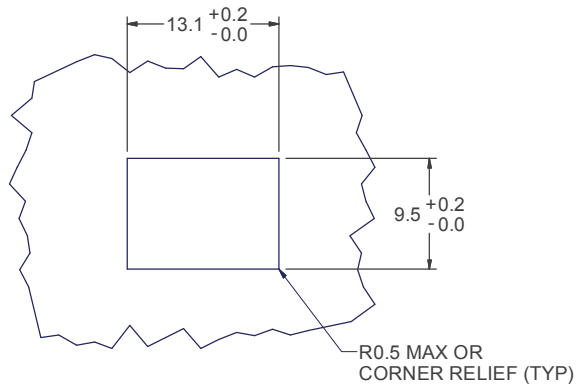


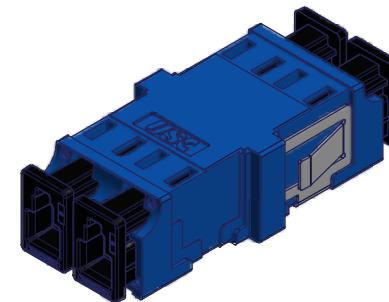
P/N	COLOR
18260	BLUE
18261	GREEN
18242	AQUA
17924	HEATHER VIOLET
18463	BEIGE



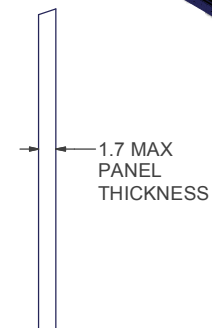
CAPS & CLIP NOT SHOWN ABOVE



RECOMMENDED MOUNTING CUTOUT



VIEW SHOWING CAPS & CLIP



NOTES:

- 1. UL94 V-0 Flammability

PART	MATERIAL
SPLIT SLEEVE	ZIRCONIA
SLEEVE HOLDER	POLYETHERIMIDE, BLACK
HOUSING	POLYETHERIMIDE
PLATE	STAINLESS STEEL
CAP	POLYCARBONATE, BLACK

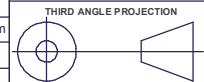
USCONEC LTD. PROPRIETARY
THIS DOCUMENT AND THE ASSOCIATED DATA CONTAIN RESTRICTED INFORMATION THAT IS USCONEC LTD. PROPERTY. DISCLOSE OR DUPLICATE FOR OTHERS ONLY AS AUTHORIZED BY USCONEC LTD.

Material:

REV	DATE	DESCRIPTION	ECN
X1	9/28/16	-	mm
A	2/3/17	INITIAL RELEASE	2001-mm

CUSTOMER DRAWING

DIMENSIONS FOR REFERENCE ONLY



METRIC/mm



Hickory, NC
800-769-0944
www.usconec.com

TITLE
ADAPTER, SF, LC DUPLEX,
REDUCED FLANGE

SIZE	S&M Part No.:	DWG NO.	REV
B	SEE TABLE	C18260	A
SCALE	Drafter	Date:	SHEET
N.T.S.	MMcCROSKY	9/28/2016	1 OF 1

▲ DENOTES CRITICAL DIMENSION