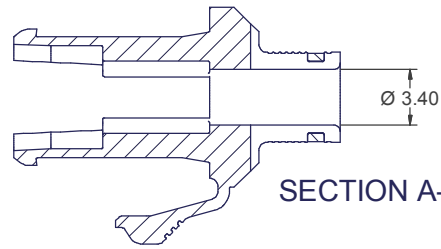
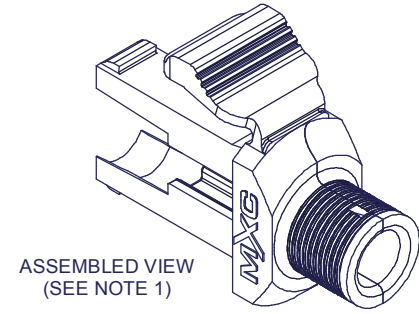


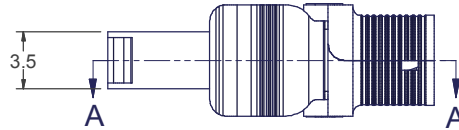
P/N	COLOR
18048	AQUA
18049	BLACK



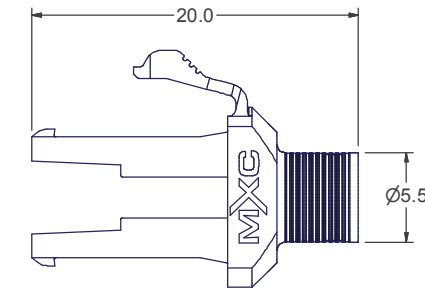
SECTION A-A



ASSEMBLED VIEW
(SEE NOTE 1)

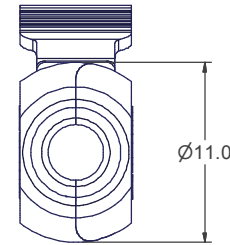


3.5

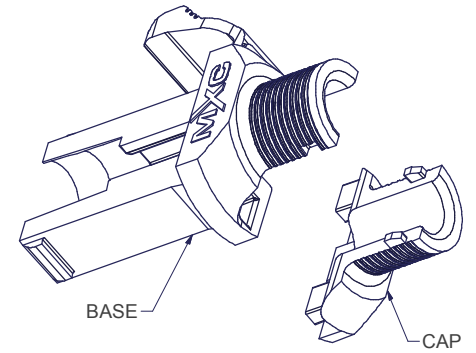


20.0

5.5

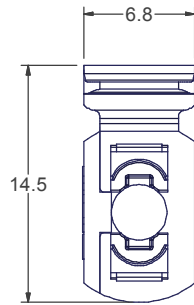
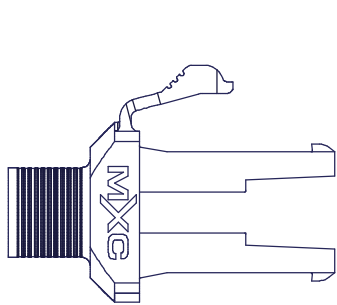


11.0



BASE

CAP



6.8

14.5

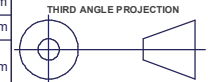
NOTES:

1. BASE & CAP ARE PACKAGED SEPARATELY.
2. MATERIAL: PEI / MAT'L SPEC #C10975

USCONEC LTD. PROPRIETARY			
THIS DOCUMENT AND THE ASSOCIATED DATA CONTAIN RESTRICTED INFORMATION THAT IS USCONEC LTD. PROPERTY. DISCLOSE OR DUPLICATE FOR OTHERS ONLY AS AUTHORIZED BY USCONEC LTD.			
Material:		SEE NOTE 2	
REV	DATE	DESCRIPTION	ECN
X1	7/6/16	---	1957-mm
A	8/18/16	INITIAL RELEASE	1957-mm
B1	5/17/18	OBSOLETE GREEN P/N 18047 & REVISED TITLE	2135-mm
B	2/8/19	RELEASE	

CUSTOMER DRAWING

DIMENSIONS FOR REFERENCE ONLY



METRIC/mm

USCONEC Hickory, NC
800-769-0944
www.usconec.com

TITLE
SPRING PUSH W/ TRIGGER, 2 PC, MXC®

SIZE	S&M Part No.:	DWG NO.	REV
B	SEE TABLE	C18047	B
SCALE	Drafter	Date:	SHEET
N.T.S.	M.McCROSKEY	7/6/2016	1 OF 1

▲ DENOTES CRITICAL DIMENSION