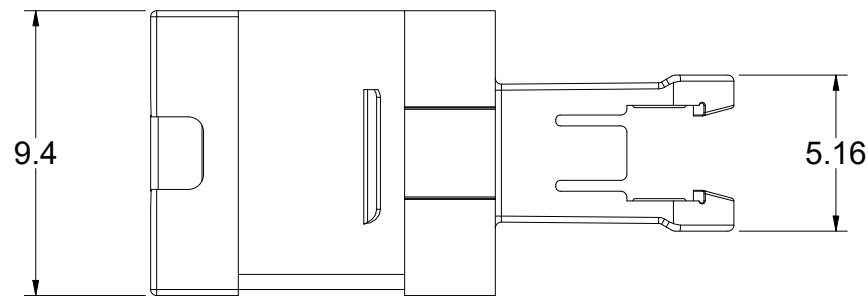
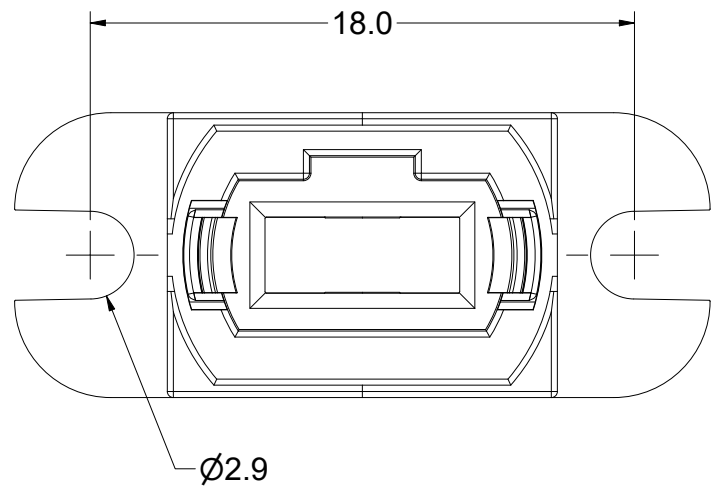
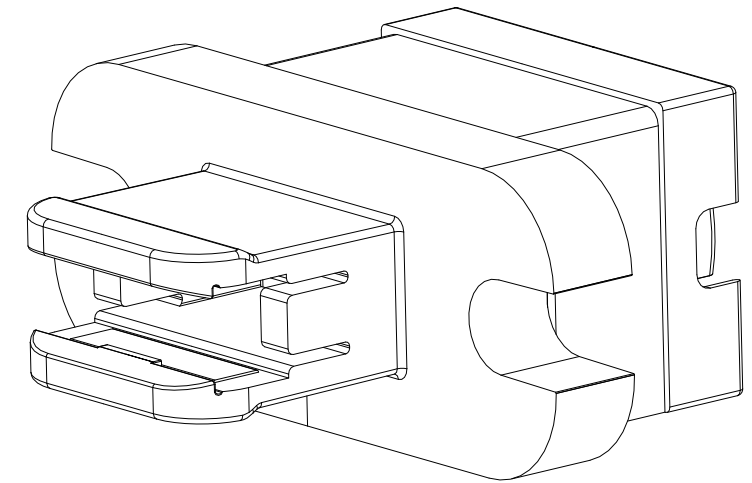
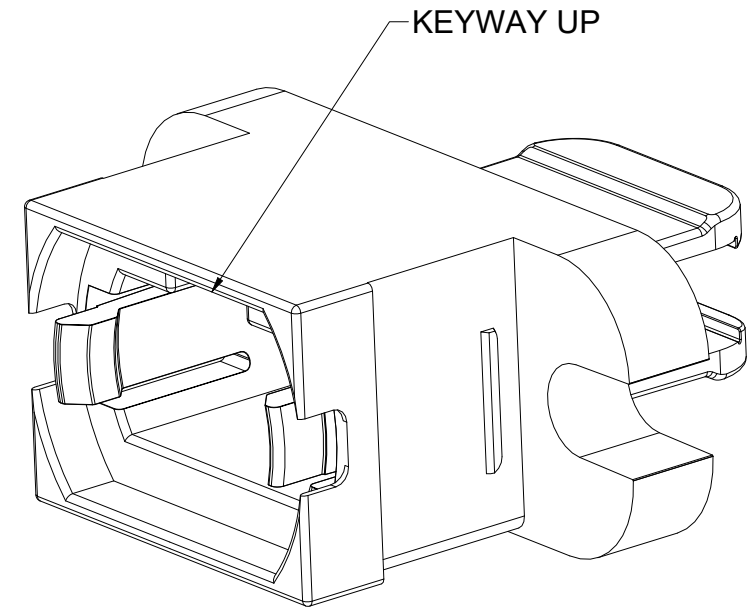
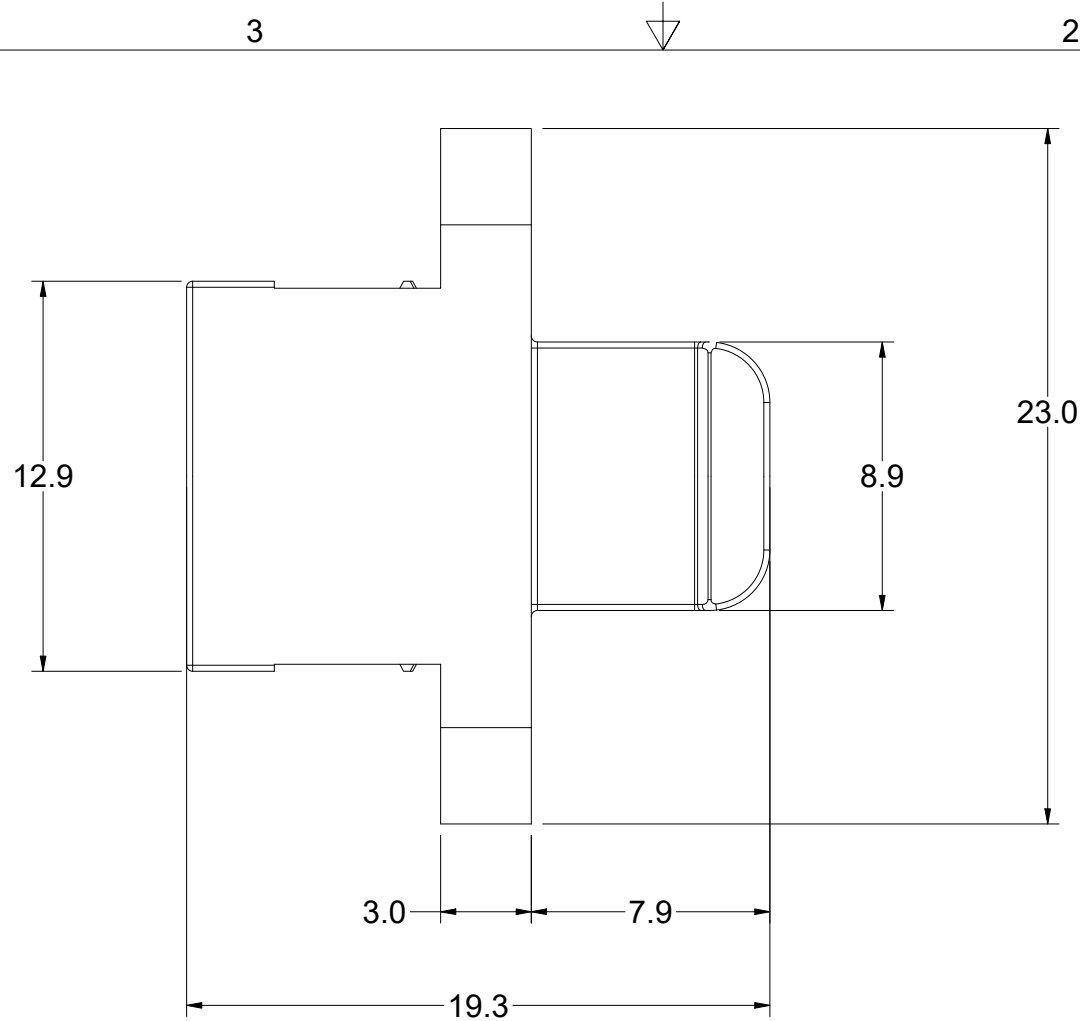


P/N	COLOR
18017	BLACK



NOTES:

1. OPTIMIZED FOR USE WITH USCONEC MT FERRULES.

USCONEC LTD. PROPRIETARY
 THIS DOCUMENT AND THE ASSOCIATED DATA CONTAIN RESTRICTED INFORMATION THAT IS USCONEC LTD. PROPERTY. DISCLOSE OR DUPLICATE FOR OTHERS ONLY AS AUTHORIZED BY USCONEC LTD.

Material: PEI / MAT'L SPEC #C10975

REV.	DATE	DESCRIPTION	ECN
A	11/14/19	INITIAL RELEASE	2245-my
B	10/7/24	REMOVED WHITE MARK	2708-mm

CUSTOMER DRAWING

DIMENSIONS FOR REFERENCE ONLY

THIRD ANGLE PROJECTION



METRIC/mm

USCONEC Hickory, NC
 800-769-0944
 www.usconec.com

TITLE
 ADAPTER, MT TO MTP®,
 SC FOOTPRINT, FULL FLANGE

SIZE	S&M Part No.:	DWG NO	REV
B	SEE TABLE	C18017	B
SCALE	Drafter	Date:	SHEET
N.T.S.	M. YOUNT	12/16/2016	1 OF 1

▲ DENOTES CRITICAL DIMENSION