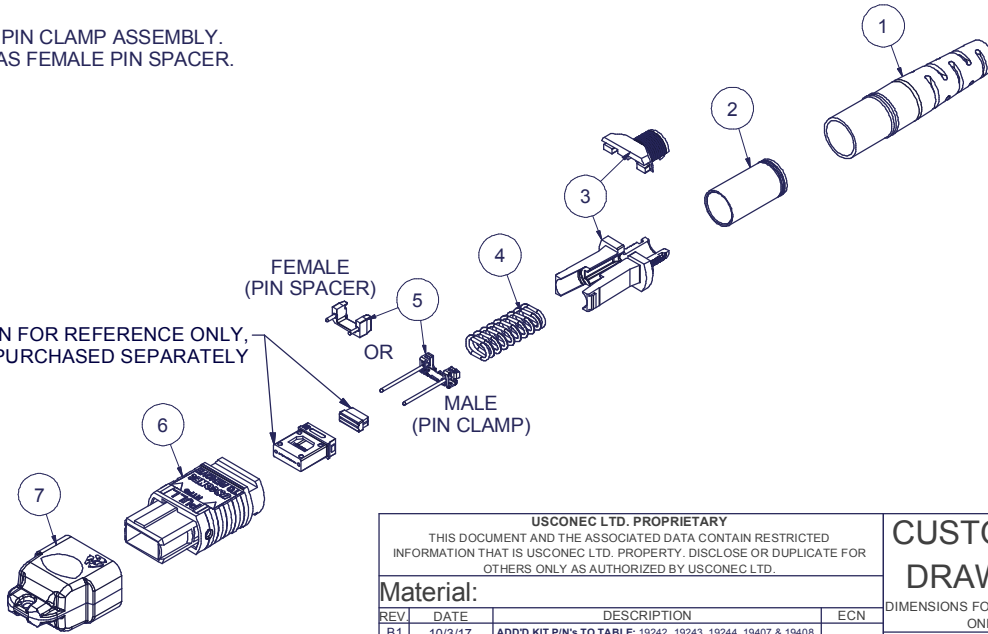


Parts List					3		2		1	
ITEM	DESCRIPTION	PART NUMBER	QTY	NOTES	KIT P/N	KIT DESCRIPTION	PERFORMANCE	COLUMN A PIN CLAMP/SPACER P/N	COLUMN B HSG ASSY P/N	HSG ASSY COLOR
1	BOOT, ROUND, 4.5 mm CABLE	13168	1		18008	KIT, MTP-16™, FEMALE, MM, 4.5 RND, AQUA	MM or MM MTP Elite®	15391	16819	AQUA
2	CRIMP BAND, 4.5, ROUND, MTP®	16427	1		18009	KIT, MTP-16™, MALE, MM MTP Elite®, 4.5 RND, AQUA	MM MTP Elite®	15609	16819	AQUA
3	SPRING PUSH, UNIVERSAL, 2 PC, 4.0 - 5.5mm RND, MTP®	19740	1		18010	KIT, MTP-16™, FEMALE, MM, 4.5 RND, MAGENTA	MM or MM MTP Elite®	15391	16822	MAGENTA
4	SPRING, UNIVERSAL, 20N	17698	1		18011	KIT, MTP-16™, MALE, MM MTP Elite®, 4.5 RND, MAGENTA	MM MTP Elite®	15609	16822	MAGENTA
5	PIN CLAMP or PIN SPACER, MTP-16™	SEE KIT TABLE COLUMN A	1	NOTE 1	18034	KIT, MTP-16™, MALE, MM, 4.5 RND, AQUA	MM	17782	16819	AQUA
6	ASSEMBLY, HOUSING, MTP-16™	SEE KIT TABLE COLUMN B	1		18035	KIT, MTP-16™, MALE, MM, 4.5 RND, MAGENTA	MM	17782	16822	MAGENTA
7	DUST CAP, MTP®	17242	1		19242	KIT, MTP-16™, FEMALE, MM, 4.5 RND, LIME	MM or MM MTP Elite®	15391	19103	LIME
					19243	KIT, MTP-16™, MALE, MM, 4.5 RND, LIME	MM	17782	19103	LIME
					19244	KIT, MTP-16™, MALE, MM MTP Elite®, 4.5 RND, LIME	MM MTP Elite®	15609	19103	LIME
					19407	KIT, MTP-16™, FEMALE, SM, 4.5 RND, GREEN	SM	15391	19068	GREEN
					19408	KIT, MTP-16™, MALE, SM, 4.5 RND, GREEN	SM	15609	19068	GREEN

NOTES:

1. MALE CONNECTOR KIT HAS PIN CLAMP ASSEMBLY. FEMALE CONNECTOR KIT HAS FEMALE PIN SPACER.

FERRULE / BOOT KIT SHOWN FOR REFERENCE ONLY, MUST BE PURCHASED SEPARATELY



USCONEC LTD. PROPRIETARY
THIS DOCUMENT AND THE ASSOCIATED DATA CONTAIN RESTRICTED INFORMATION THAT IS USCONEC LTD. PROPERTY. DISCLOSE OR DUPLICATE FOR OTHERS ONLY AS AUTHORIZED BY USCONEC LTD.

Material:

REV	DATE	DESCRIPTION	ECN
B1	10/3/17	ADD'D KIT P/N's TO TABLE: 19242, 19243, 19244, 19407 & 19408	2084-mm
B	10/23/17	RELEASE	
C1	3/26/18	17242 (DUST CAP) was 17158 (PROTECTIVE CAP)	2130-mm
C	4/23/18	RELEASE	
D1	7/23/19	SPRING PUSH 19740 was 17681; REVISED PARTS LIST FORMAT	2159-mm
D	1/6/20	RELEASE	2237-mm

CUSTOMER DRAWING

DIMENSIONS FOR REFERENCE ONLY

THIRD ANGLE PROJECTION

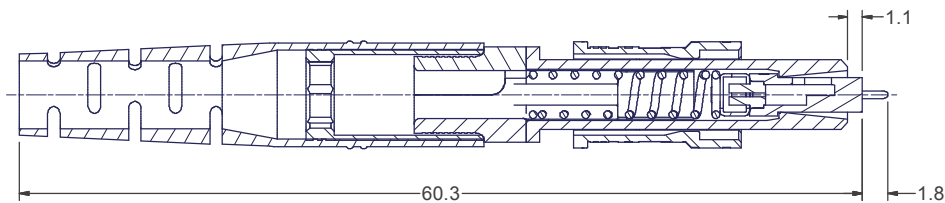
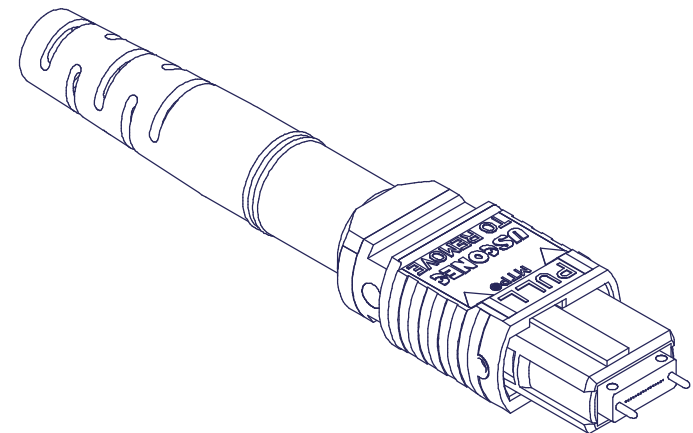
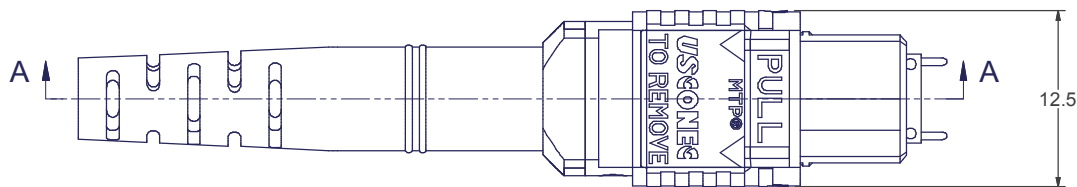
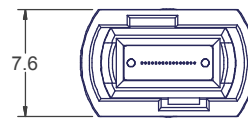
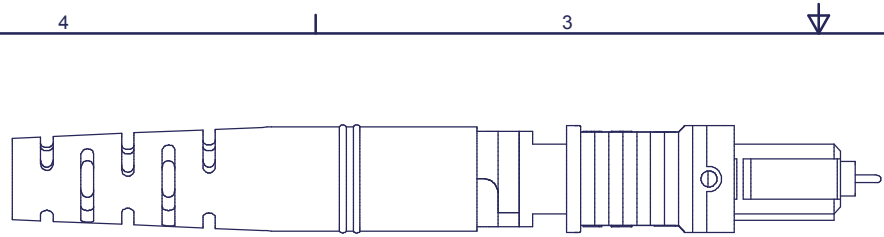
METRIC/mm

▲ DENOTES CRITICAL DIMENSION

USCONEC Hickory, NC
800-769-0944
www.usconec.com

TITLE
KIT, MTP-16™ CONNECTOR, 4.3 - 4.7mm ROUND CABLE

SIZE	S&M Part No.:	DWG NO.	REV
B	SEE TABLE	C18008	D
SCALE	Drafter	Date:	SHEET
N.T.S.	M.McCROSKEY	6/23/2016	1 OF 2



SECTION A-A

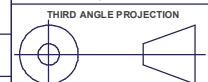
USCONEC LTD. PROPRIETARY
THIS DOCUMENT AND THE ASSOCIATED DATA CONTAIN RESTRICTED INFORMATION THAT IS USCONEC LTD. PROPERTY. DISCLOSE OR DUPLICATE FOR OTHERS ONLY AS AUTHORIZED BY USCONEC LTD.

Material:

REV	DATE	DESCRIPTION	ECN

CUSTOMER DRAWING

DIMENSIONS FOR REFERENCE ONLY



METRIC/mm



Hickory, NC
800-769-0944
www.usconec.com

TITLE
KIT, MTP-16™ CONNECTOR,
4.3 - 4.7mm ROUND CABLE

SIZE	S&M Part No.:	DWG NO.	REV
B	SEE SHEET 1	C18008	D
SCALE	Drafter	Date:	SHEET
N.T.S.	M.McCROSKEY	6/23/2016	2 OF 2

▲ DENOTES CRITICAL DIMENSION