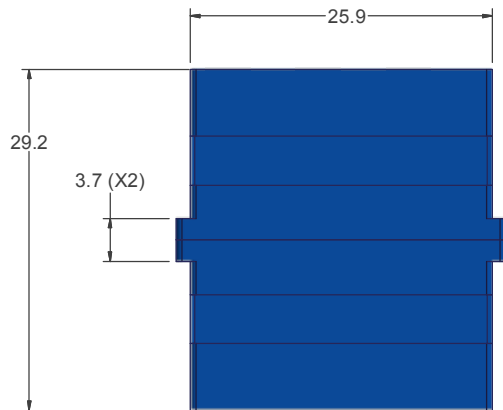
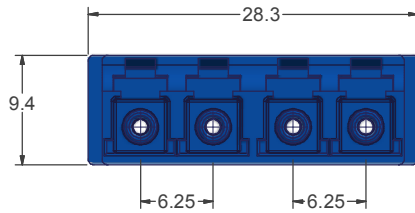
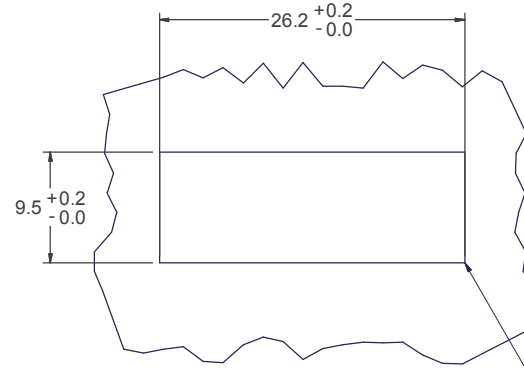


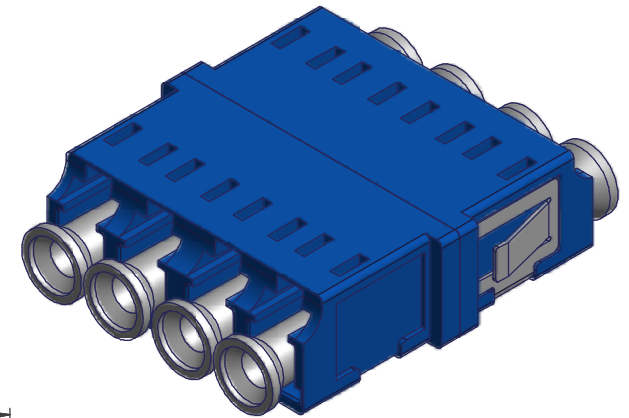
P/N	COLOR
17931	BLUE
17932	GREEN
17933	AQUA
17934	HEATHER VIOLET



CAPS & CLIP NOT SHOWN ABOVE



**RECOMMENDED MOUNTING CUTOUT**



VIEW SHOWING CAPS & CLIP

1.7 MAX PANEL THICKNESS

R0.5 MAX OR CORNER RELIEF (TYP)

**NOTES:**

- 1. UL94 V-0 Flammability

PART	MATERIAL
SPLIT SLEEVE	ZIRCONIA
HOUSING	POLYETHERIMIDE
PLATE	STAINLESS STEEL
CAP	POLYPROPYLENE, WHITE

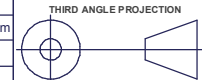
USCONEC LTD. PROPRIETARY  
THIS DOCUMENT AND THE ASSOCIATED DATA CONTAIN RESTRICTED INFORMATION THAT IS USCONEC LTD. PROPERTY. DISCLOSE OR DUPLICATE FOR OTHERS ONLY AS AUTHORIZED BY USCONEC LTD.

**Material:**

REV	DATE	DESCRIPTION	ECN
X1	9/28/16	-	mm
A	2/3/17	INITIAL RELEASE	2001-mm

**CUSTOMER DRAWING**

DIMENSIONS FOR REFERENCE ONLY



**METRIC/mm**



Hickory, NC  
800-769-0944  
www.usconec.com

**TITLE**  
ADAPTER, SF, LC QUAD,  
REDUCED FLANGE

SIZE	S&M Part No.:	DWG NO.	REV
B	SEE TABLE	<b>C17931</b>	A
SCALE	Drafter	Date:	SHEET
N.T.S.	MMcCROSKY	9/28/2016	1 OF 1

▲ DENOTES CRITICAL DIMENSION