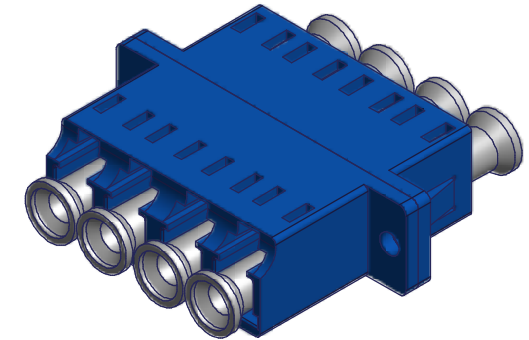
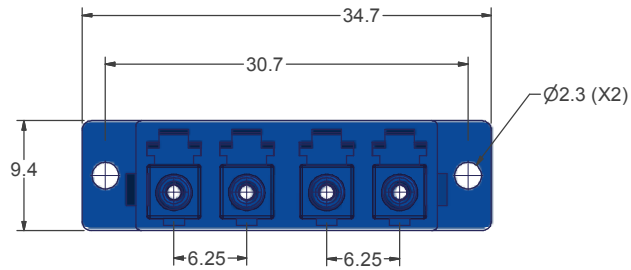
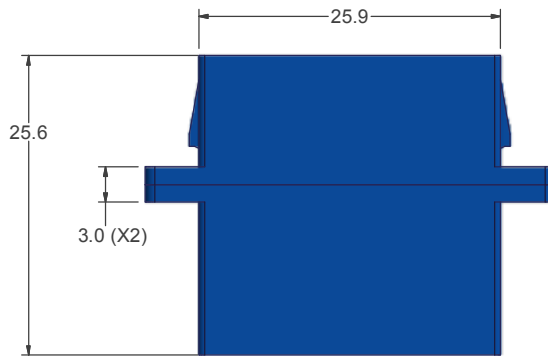


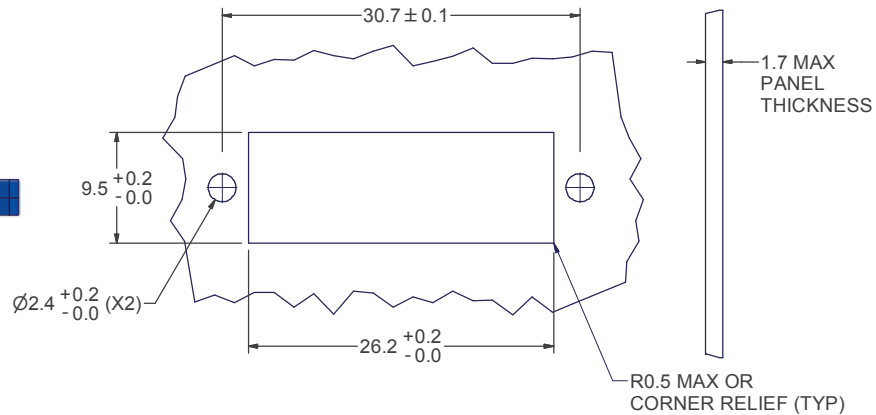
P/N	COLOR
17927	BLUE
17928	GREEN
17929	AQUA
17930	HEATHER VIOLET



VIEW SHOWING CAPS



CAPS NOT SHOWN ABOVE



RECOMMENDED MOUNTING CUTOUT

NOTES:

- 1. UL94 V-0 Flammability

PART	MATERIAL
SPLIT SLEEVE	ZIRCONIA
HOUSING	POLYETHERIMIDE
CAP	POLYCARBONATE, BLACK

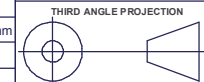
USCONEC LTD. PROPRIETARY
THIS DOCUMENT AND THE ASSOCIATED DATA CONTAIN RESTRICTED INFORMATION THAT IS USCONEC LTD. PROPERTY. DISCLOSE OR DUPLICATE FOR OTHERS ONLY AS AUTHORIZED BY USCONEC LTD.

Material:

REV	DATE	DESCRIPTION	ECN
X1	9/28/16	-	mm
A	2/3/17	INITIAL RELEASE	2001-mm

CUSTOMER DRAWING

DIMENSIONS FOR REFERENCE ONLY



METRIC/mm

▲ DENOTES CRITICAL DIMENSION

USCONEC
Hickory, NC
800-769-0944
www.usconec.com

TITLE
ADAPTER, SF, LC QUAD,
FULL FLANGE

SIZE	S&M Part No.:	DWG NO.	REV
B	SEE TABLE	C17927	A
SCALE	Drafter	Date:	SHEET
N.T.S.	MMcCROSKY	9/28/2016	1 OF 1