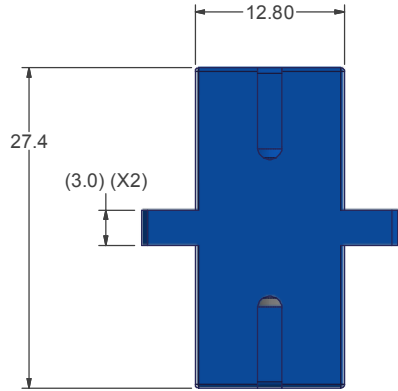
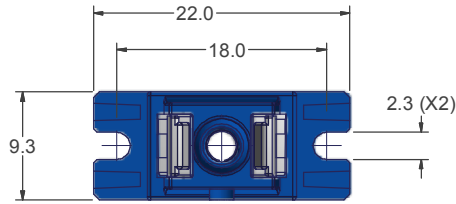
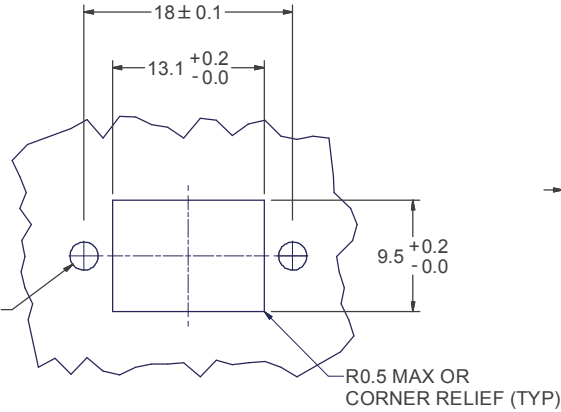


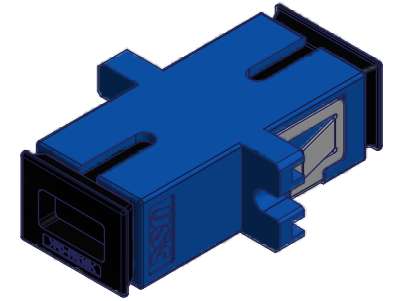
P/N	COLOR
17254	BLUE
17337	GREEN
18262	AQUA
17936	HEATHER VIOLET



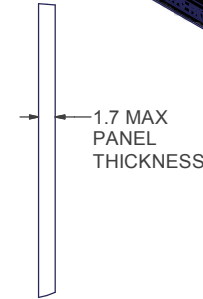
CAPS & CLIP NOT SHOWN ABOVE



RECOMMENDED MOUNTING CUTOUT



VIEW SHOWING CAPS & CLIP



NOTES:

- 1. UL94 V-0 Flammability

PART	MATERIAL
SPLIT SLEEVE	ZIRCONIA
SLEEVE HOLDER	POLYETHERIMIDE, BLACK
HOUSING	POLYBUTYLENE TEREPHTHALATE
PIN	STAINLESS STEEL
PLATE	STAINLESS STEEL
CAP	POLYCARBONATE, BLACK

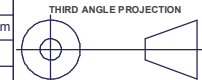
USCONEC LTD. PROPRIETARY
THIS DOCUMENT AND THE ASSOCIATED DATA CONTAIN RESTRICTED INFORMATION THAT IS USCONEC LTD. PROPERTY. DISCLOSE OR DUPLICATE FOR OTHERS ONLY AS AUTHORIZED BY USCONEC LTD.

Material:

REV	DATE	DESCRIPTION	ECN
X1	10/3/16	-	mm
A	2/3/17	INITIAL RELEASE	2001-mm

CUSTOMER DRAWING

DIMENSIONS FOR REFERENCE ONLY



METRIC/mm

▲ DENOTES CRITICAL DIMENSION

Hickory, NC
800-769-0944
www.usconec.com

USCONEC

TITLE
ADAPTER, SF, SC SIMPLEX, FULL FLANGE

SIZE B	S&M Part No.: SEE TABLE	DWG NO. C17254	REV A
SCALE N.T.S.	Drafter MMcCROSKY	Date: 10/3/2016	SHEET 1 OF 1