

**USCONEC LTD. PROPRIETARY**  
 THIS DOCUMENT AND THE ASSOCIATED DATA CONTAIN RESTRICTED  
 INFORMATION THAT IS USCONEC LTD. PROPERTY. DISCLOSE OR DUPLICATE FOR  
 OTHERS ONLY AS AUTHORIZED BY USCONEC LTD.

**Material:** PEI

REV	DATE	DESCRIPTION	ECN
X1	10/15/15	---	1843-mm
A	12/15/15	INITIAL RELEASE	1843-mm

**CUSTOMER DRAWING**

DIMENSIONS FOR REFERENCE ONLY

THIRD ANGLE PROJECTION

**METRIC/mm**

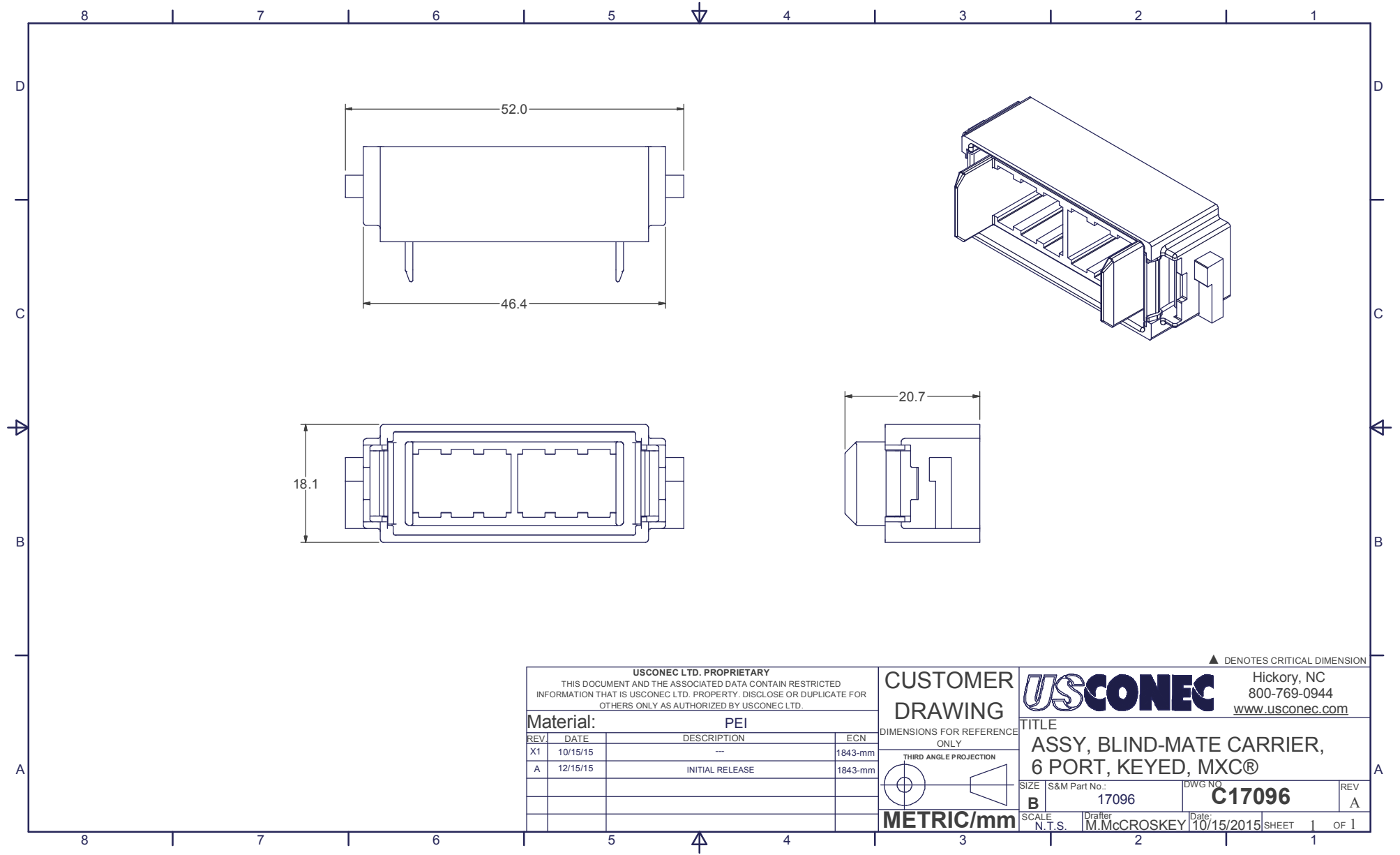
▲ DENOTES CRITICAL DIMENSION

Hickory, NC  
800-769-0944  
[www.usconec.com](http://www.usconec.com)

**USCONEC**

TITLE  
**ASSY, BLIND-MATE CARRIER,  
 6 PORT, KEYED, MXC®**

SIZE	S&M Part No.:	DWG NO.	REV
<b>B</b>	17096	<b>C17096</b>	<b>A</b>
SCALE	Drafter	Date:	SHEET
N.T.S.	M.McCROSKEY	10/15/2015	1 OF 1



**USCONEC LTD. PROPRIETARY**  
 THIS DOCUMENT AND THE ASSOCIATED DATA CONTAIN RESTRICTED INFORMATION THAT IS USCONEC LTD. PROPERTY. DISCLOSE OR DUPLICATE FOR OTHERS ONLY AS AUTHORIZED BY USCONEC LTD.

**Material:** PEI

REV	DATE	DESCRIPTION	ECN
X1	10/15/15	---	1843-mm
A	12/15/15	INITIAL RELEASE	1843-mm

**CUSTOMER DRAWING**

DIMENSIONS FOR REFERENCE ONLY

THIRD ANGLE PROJECTION

**METRIC/mm**

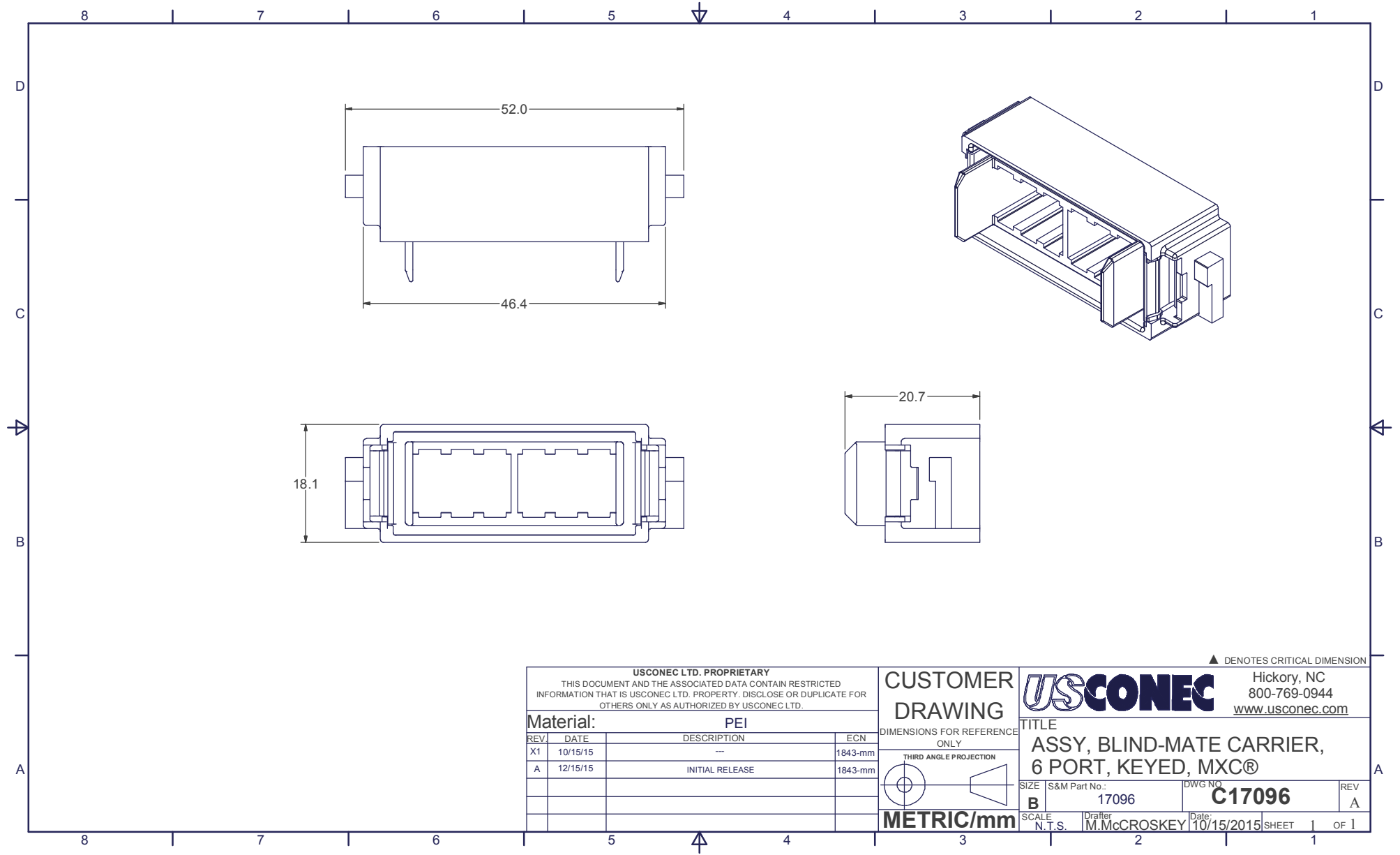
▲ DENOTES CRITICAL DIMENSION

Hickory, NC  
800-769-0944  
[www.usconec.com](http://www.usconec.com)

**USCONEC**

TITLE  
**ASSY, BLIND-MATE CARRIER, 6 PORT, KEYED, MXC®**

SIZE	S&M Part No.: <b>17096</b>	DWG NO. <b>C17096</b>	REV <b>A</b>
SCALE N.T.S.	Drafter <b>M.McCROSKEY</b>	Date: <b>10/15/2015</b>	SHEET <b>1</b> OF <b>1</b>



**USCONEC LTD. PROPRIETARY**  
 THIS DOCUMENT AND THE ASSOCIATED DATA CONTAIN RESTRICTED  
 INFORMATION THAT IS USCONEC LTD. PROPERTY. DISCLOSE OR DUPLICATE FOR  
 OTHERS ONLY AS AUTHORIZED BY USCONEC LTD.

**Material:** PEI

REV	DATE	DESCRIPTION	ECN
X1	10/15/15	---	1843-mm
A	12/15/15	INITIAL RELEASE	1843-mm

**CUSTOMER DRAWING**

DIMENSIONS FOR REFERENCE ONLY

THIRD ANGLE PROJECTION

**METRIC/mm**

▲ DENOTES CRITICAL DIMENSION

Hickory, NC  
800-769-0944  
[www.usconec.com](http://www.usconec.com)

**USCONEC**

TITLE  
**ASSY, BLIND-MATE CARRIER,  
 6 PORT, KEYED, MXC®**

SIZE	S&M Part No.:	DWG NO.	REV
<b>B</b>	17096	<b>C17096</b>	<b>A</b>
SCALE	Drafter	Date:	SHEET
N.T.S.	M.McCROSKEY	10/15/2015	1 OF 1