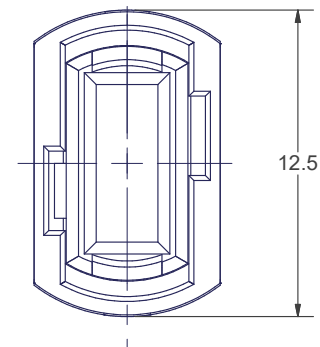
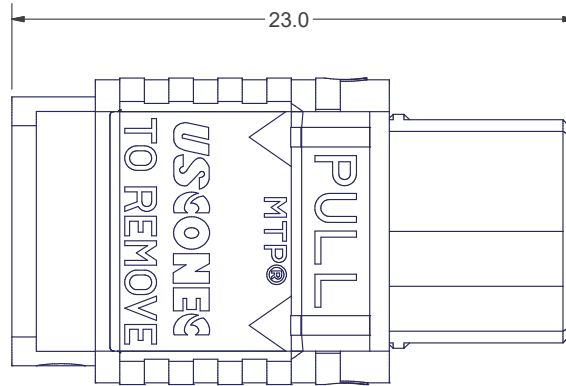
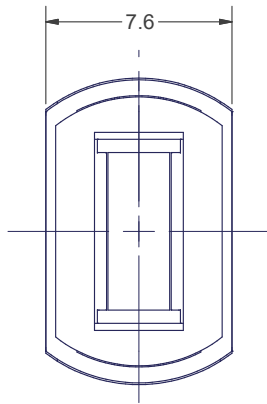
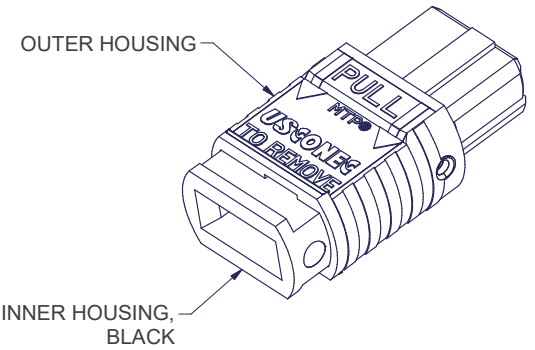
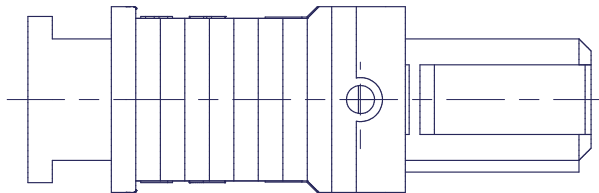


PART ASSY. P/N	OUTER HSG. COLOR	OUTER HSG. P/N
16819	AQUA	16820
16822	MAGENTA	16823
17700	MUNSELL VIOLET	17701
19068	GREEN	19067
19102	YELLOW	19100
19103	LIME	19101
19909	HEATHER VIOLET	19908
21457	BLACK	21456
22417	WHITE	22418



USCONEC LTD. PROPRIETARY			
THIS DOCUMENT AND THE ASSOCIATED DATA CONTAIN RESTRICTED INFORMATION THAT IS USCONEC LTD. PROPERTY. DISCLOSE OR DUPLICATE FOR OTHERS ONLY AS AUTHORIZED BY USCONEC LTD.			
Material:		N/A	
REV.	DATE	DESCRIPTION	ECN
B1	7/5/17	ADD'D GREEN HSG ASSY P/N 19068 TO TABLE	2023-mm
	8/1/17	ADD'D YELLOW & LIME HSG ASSY P/N's 19102 & 19103 TO TABLE	
B	10/3/18	ADD'D HEATHER VIOLET P/N 19909 TO TABLE	
		RELEASE	
C	6/3/19	ADD'D BLACK HSG ASSY P/N 12457 TO TABLE	
D	6/5/20	ADD'D WHITE P/N 22417 TO TABLE	

CUSTOMER DRAWING

DIMENSIONS FOR REFERENCE ONLY

THIRD ANGLE PROJECTION

METRIC/mm

▲ DENOTES CRITICAL DIMENSION

USCONEC Hickory, NC
800-769-0944
www.usconec.com

TITLE
ASSEMBLY, HOUSING, MTP-16™

SIZE	S&M Part No.:	DWG NO.	REV
B	SEE CHART	C16819	D
SCALE	Drafter	Date:	SHEET
N.T.S.	M. CLOUD	7/16/2015	1 OF 1