

4

## Parts List

ITEM	DESCRIPTION	PART NUMBER	QTY	NOTES
1	BOOT, ROUND, MTP®	8041	1	
2	CRIMP BAND, 3.0 ROUND, MTP®	15633	1	
3	SPRING PUSH, UNIV., 3.0mm RND	19692	1	
4	SPRING, UNIVERSAL, 20N	17698	1	
5	PIN CLAMP or PIN SPACER	SEE KIT TABLE COLUMN A	1	NOTE 1
6	ASSEMBLY, HOUSING, MTP-16™	SEE KIT TABLE COLUMN B	1	
7	DUST CAP, MTP®	17242	1	

3



2

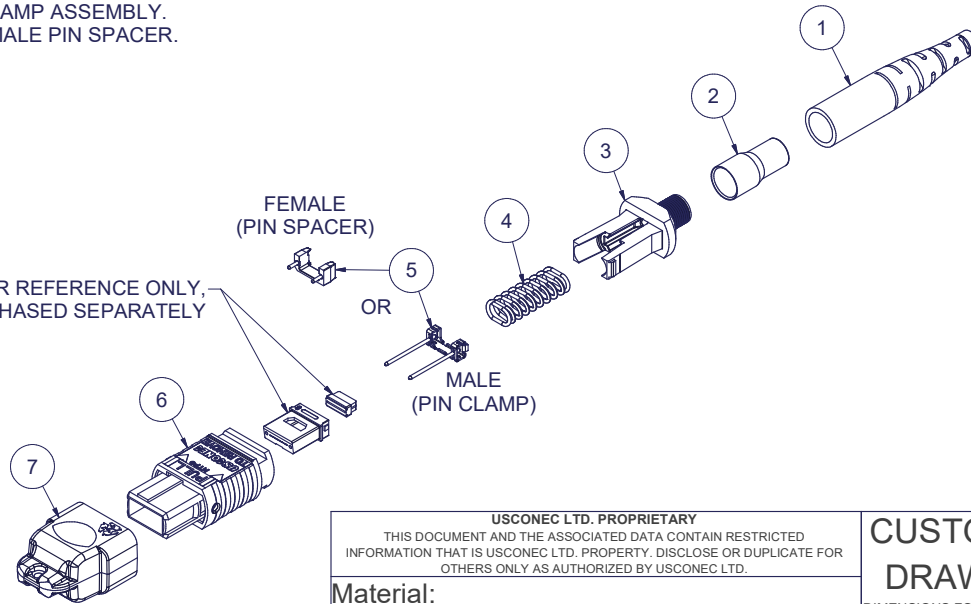
1

KIT P/N	KIT DESCRIPTION	PERFORMANCE	COLUMN A		COLUMN B
			PIN CLAMP/SPACER P/N	HSG ASSY P/N	HSG ASSY COLOR
16524	KIT, MTP-16™, FEMALE, MM, 3.0 RND, AQUA	MM or MM MTP Elite®	15391	16819	AQUA
16525	KIT, MTP-16™, MALE, MM MTP Elite®, 3.0 RND, AQUA	MM MTP Elite®	15609	16819	AQUA
16526	KIT, MTP-16™, FEMALE, MM, 3.0 RND, MAGENTA	MM or MM MTP Elite®	15391	16822	MAGENTA
16527	KIT, MTP-16™, MALE, MM MTP Elite®, 3.0 RND, MAGENTA	MM MTP Elite®	15609	16822	MAGENTA
18028	KIT, MTP-16™, MALE, MM, 3.0 RND, AQUA	MM	17782	16819	AQUA
18029	KIT, MTP-16™, MALE, MM, 3.0 RND, MAGENTA	MM	17782	16822	MAGENTA
19233	KIT, MTP-16™, FEMALE, MM, 3.0 RND, LIME	MM or MM MTP Elite®	15391	19103	LIME
19234	KIT, MTP-16™, MALE, MM, 3.0 RND, LIME	MM	17782	19103	LIME
19235	KIT, MTP-16™, MALE, MM MTP Elite®, 3.0 RND, LIME	MM MTP Elite®	15609	19103	LIME
19401	KIT, MTP-16™, FEMALE, SM, 3.0 RND, GREEN	SM	15391	19068	GREEN
19402	KIT, MTP-16™, MALE, SM, 3.0 RND, GREEN	SM	15609	19068	GREEN
22336	KIT, MTP-16™, FEMALE, MM, 3.0 RND, BLACK	MM or MM MTP Elite®	15391	21457	BLACK
22337	KIT, MTP-16™, MALE, MM MTP Elite®, 3.0 RND, BLACK	MM MTP Elite®	15609	21457	BLACK

## NOTES:

1. PIN CLAMP ASSEMBLY.  
FEMALE CONNECTOR KIT HAS FEMALE PIN SPACER.

FERRULE / BOOT KIT SHOWN FOR REFERENCE ONLY,  
MUST BE PURCHASED SEPARATELY



## USCONEC LTD. PROPRIETARY

THIS DOCUMENT AND THE ASSOCIATED DATA CONTAIN RESTRICTED INFORMATION THAT IS USCONEC LTD. PROPERTY. DISCLOSE OR DUPLICATE FOR OTHERS ONLY AS AUTHORIZED BY USCONEC LTD.

## Material:

REV	DATE	DESCRIPTION	ECN
D1	3/26/18	17242 (DUST CAP) was 17158 (PROTECTIVE CAP)	2130-mm
D	4/23/18	RELEASE	
E1	7/17/19	SPRING PUSH 19692 was 17428; UPDATED PARTS LIST FORMAT	
E	10/28/19	RELEASE	2159-mm
F	5/28/20	ADDED (BLACK) KIT P/N'S 22336 & 22337 TO TABLE	

## CUSTOMER DRAWING

DIMENSIONS FOR REFERENCE ONLY

THIRD ANGLE PROJECTION



**METRIC/mm**

▲ DENOTES CRITICAL DIMENSION

**USCONEC**

Hickory, NC  
800-769-0944  
www.usconec.com

TITLE  
KIT, MTP-16™ CONNECTOR,  
2.8 - 3.2mm ROUND CABLE

SIZE	S&M Part No.:	DWG NO.	REV
B	SEE TABLE	<b>C16524</b>	F
SCALE	Drafter	Date:	SHEET
N.T.S.	M.McCROSKEY	1/5/2015	1 OF 2

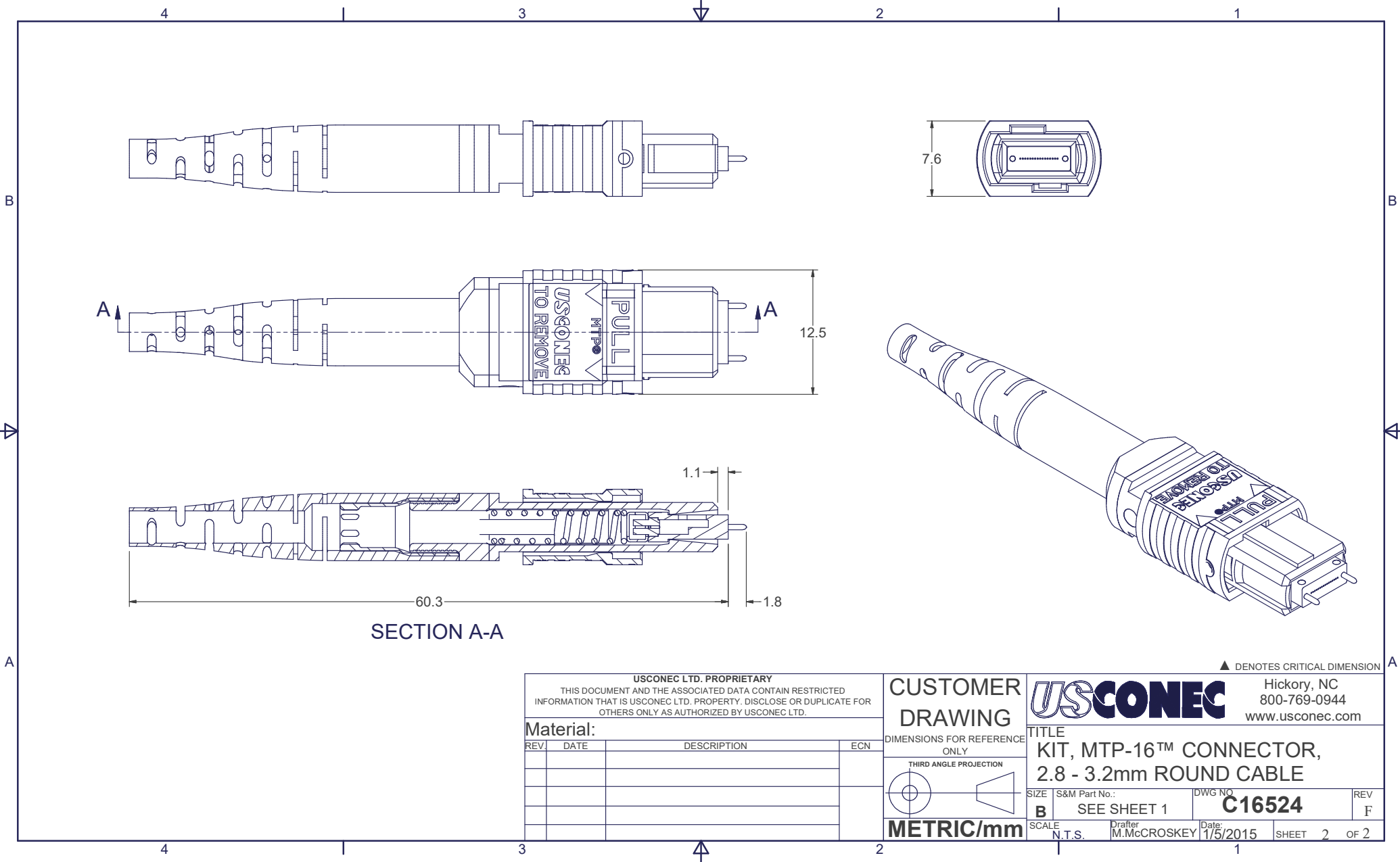
4

3



2

1



SECTION A-A

▲ DENOTES CRITICAL DIMENSION

USCONEC LTD. PROPRIETARY  
 THIS DOCUMENT AND THE ASSOCIATED DATA CONTAIN RESTRICTED INFORMATION THAT IS USCONEC LTD. PROPERTY. DISCLOSE OR DUPLICATE FOR OTHERS ONLY AS AUTHORIZED BY USCONEC LTD.

Material:

REV.	DATE	DESCRIPTION	ECN

**CUSTOMER DRAWING**

DIMENSIONS FOR REFERENCE ONLY

THIRD ANGLE PROJECTION

**METRIC/mm**

**USCONEC**

Hickory, NC  
 800-769-0944  
 www.usconec.com

TITLE  
**KIT, MTP-16™ CONNECTOR,  
 2.8 - 3.2mm ROUND CABLE**

SIZE <b>B</b>	S&M Part No.: SEE SHEET 1	DWG NO. <b>C16524</b>	REV <b>F</b>
SCALE N.T.S.	Drafter M.McCROSKY	Date 1/5/2015	SHEET 2 OF 2