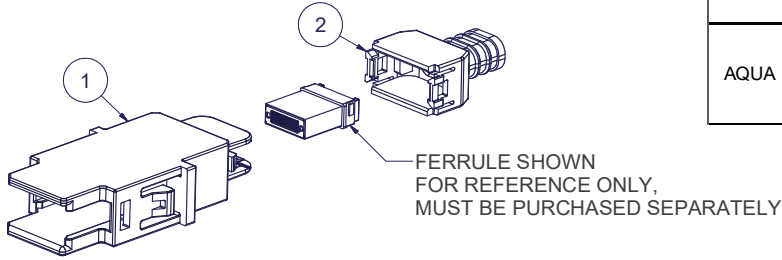
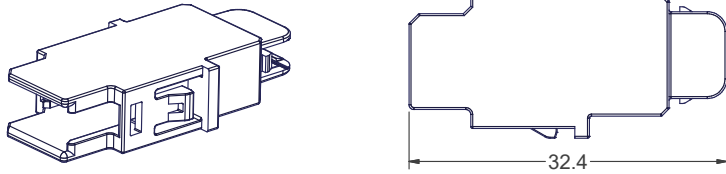


PARTS LIST			
ITEM	DESCRIPTION	PART NUMBER	QTY
1	RECEPTACLE, MXC®	SEE TABLE	SEE TABLE
2	HEATSHRINK ATTACHMENT, MXC®	SEE TABLE	SEE TABLE
3	DUST PLUG, RECEPTACLE, MXC® (NOT SHOWN)	15782	SEE TABLE

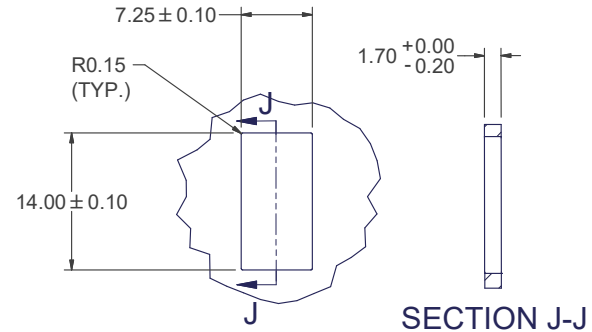
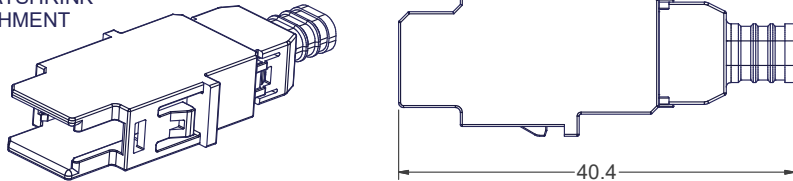
COLOR	P/N	DESCRIPTION	RECEP. P/N	RECEP. QTY.	H.S. ATTACH. P/N	H.S. ATTACH. QTY	15782 DUST PLUG QTY.
BLACK	15753	RECEPTACLE ONLY	15753	1	-	-	-
	15897	RECEPTACLE W/ DUST PLUG ONLY	15753	1	-	-	1
AQUA	15752	RECEPTACLE ONLY	15752	1	-	-	-
	15899	RECEPTACLE W/ HEATSHRINK ATT. ONLY	15752	1	15765	1	-
	15900	RECEPTACLE W/ DUST PLUG ONLY	15752	1	-	-	1
	15901	RECEPTACLE W/ HEATSHRINK ATT. & PLUG	15752	1	15765	1	1



RECEPTACLE



RECEPTACLE W/ HEATSHRINK ATTACHMENT



RECOMMENDED MOUNTING CUTOUT

▲ DENOTES CRITICAL DIMENSION

<p>USCONEC LTD. PROPRIETARY THIS DOCUMENT AND THE ASSOCIATED DATA CONTAIN RESTRICTED INFORMATION THAT IS USCONEC LTD. PROPERTY. DISCLOSE OR DUPLICATE FOR OTHERS ONLY AS AUTHORIZED BY USCONEC LTD.</p>			
Material:			
REV	DATE	DESCRIPTION	ECN
A	3/13/15	INITIAL RELEASE	1634-mm
B1	5/3/18	OBSOLETE GREEN P/N's 15534, 15902, 15903 & 15904	2135-mm
B	2/8/19	RELEASE	
C	4/21/20	OBSOLETE BLACK P/N's 15896 & 15898	2272-mm

CUSTOMER DRAWING

DIMENSIONS FOR REFERENCE ONLY

THIRD ANGLE PROJECTION

METRIC/mm

USCONEC
Hickory, NC
800-769-0944
www.usconec.com

TITLE: **KIT, RECEPTACLE, MXC®**

SIZE	S&M Part No.:	DWG NO.	REV
B	SEE TABLE	C15902	C
SCALE	Drafter	Date:	SHEET
N.T.S.	M. YOUNT	10/3/2014	1 OF 1