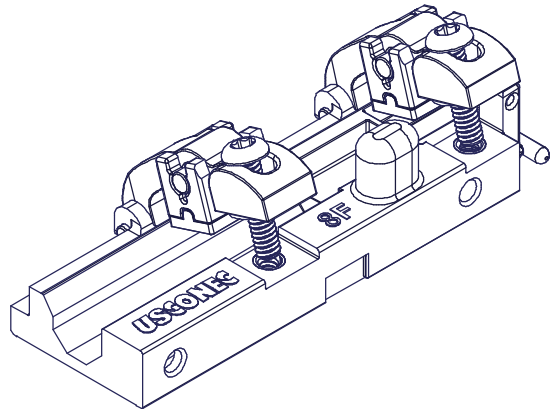


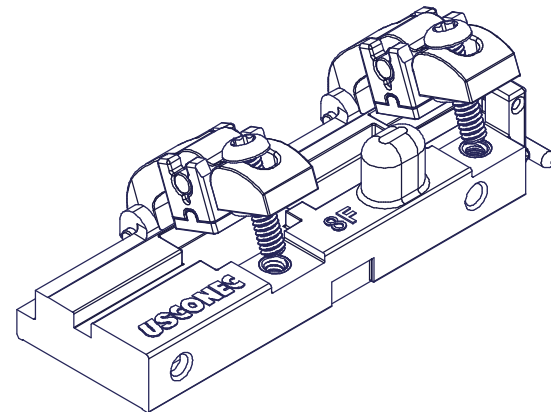
8 | 7 | 6 | 5 | 4 | 3 | 2 | 1

JACKETED CABLE TERMINATION HANDLER		
PART NO.	PART DESC	COLOR
15708	TERM. HANDLER, JACKETED CABLE, 8F, Prizm® MT	VIOLET
15710	TERM. HANDLER, JACKETED CABLE, 12F, Prizm® MT	WHITE
15712	TERM. HANDLER, JACKETED CABLE, 16F, Prizm® MT	GREEN

RIBBON TERMINATION HANDLER		
PART NO.	PART DESC	COLOR
16512	TERM. HANDLER, RIBBON, 8F, Prizm® MT	VIOLET
16513	TERM. HANDLER, RIBBON, 12F, Prizm® MT	WHITE
16514	TERM. HANDLER, RIBBON, 16F, Prizm® MT	GREEN



JACKETED CABLE TERMINATION HANDLER

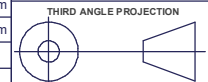


RIBBON TERMINATION HANDLER

USCONEC LTD. PROPRIETARY THIS DOCUMENT AND THE ASSOCIATED DATA CONTAIN RESTRICTED INFORMATION THAT IS USCONEC LTD. PROPERTY. DISCLOSE OR DUPLICATE FOR OTHERS ONLY AS AUTHORIZED BY USCONEC LTD.			
Material:		N/A	
REV	DATE	DESCRIPTION	ECN
X1	1/5/16	---	1861-mm
A	2/16/16	INITIAL RELEASE	1861-mm

CUSTOMER DRAWING

DIMENSIONS FOR REFERENCE ONLY



METRIC/mm



Hickory, NC
800-769-0944
www.usconec.com

TITLE
TERM. HANDLER, PRIZM® MT

SIZE	S&M Part No.:	DWG NO.	REV
B	SEE TABLE	C15710	A
SCALE	Drafter	Date:	SHEET
N.T.S.	MMcCROSKEY	1/5/2016	1 OF 1

▲ DENOTES CRITICAL DIMENSION

8 | 7 | 6 | 5 | 4 | 3 | 2 | 1