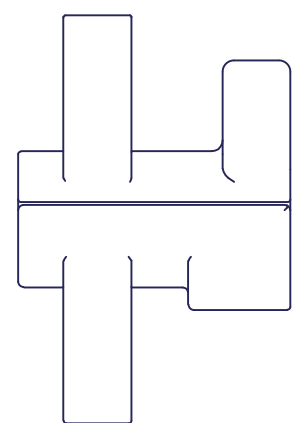
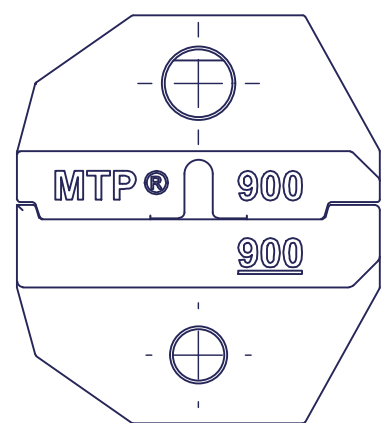


8 7 6 5 4 3 2 1

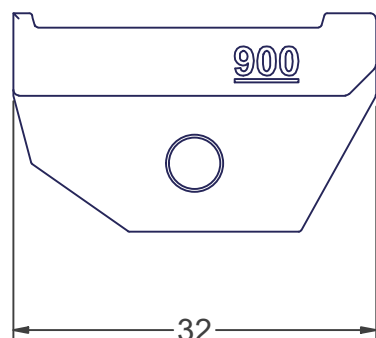
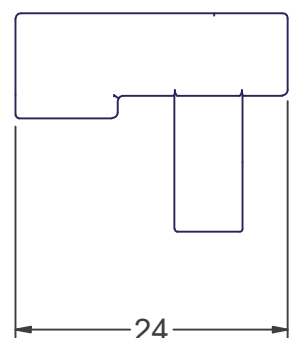
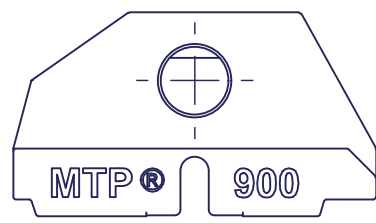
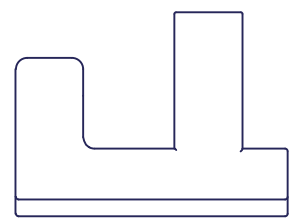
D
C
B
A

D
C
B
A

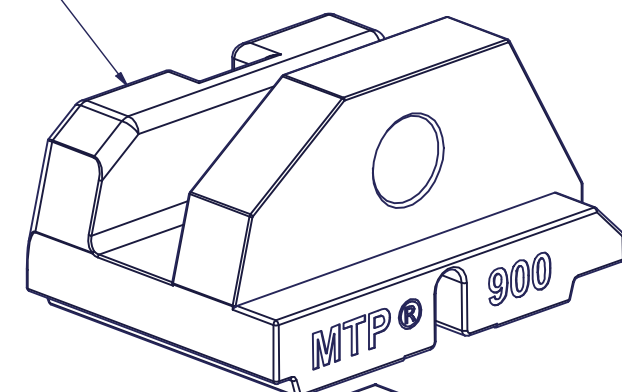


A
A

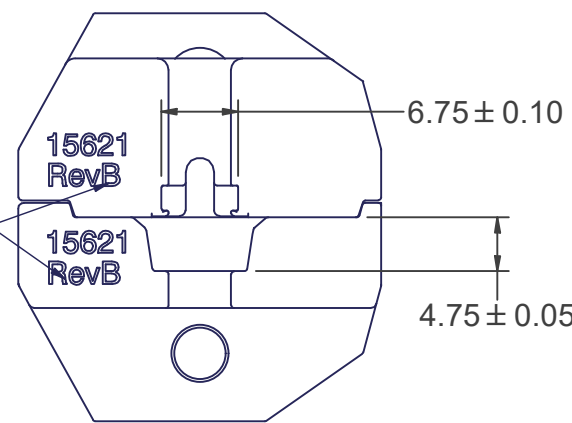
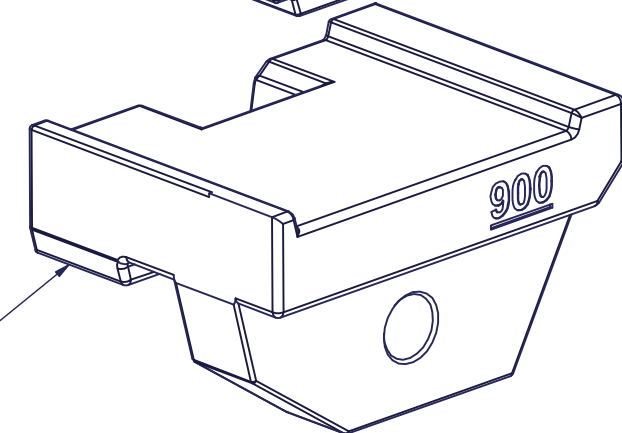
CLOSED VIEW



UPPER DIE



LOWER DIE



VIEW A-A

ENGINEERING DRAWING REVISION

15621 RevB
15621 RevB

6.75 ± 0.10

4.75 ± 0.05

▲ DENOTES CRITICAL DIMENSION

USCONEC LTD. PROPRIETARY
THIS DOCUMENT AND THE ASSOCIATED DATA CONTAIN RESTRICTED INFORMATION THAT IS USCONEC LTD. PROPERTY. DISCLOSE OR DUPLICATE FOR OTHERS ONLY AS AUTHORIZED BY USCONEC LTD.

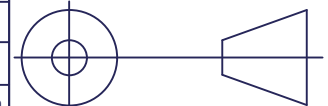
Material: STAINLESS STEEL

REV.	DATE	DESCRIPTION	ECN
X2	10/12/15	REVISED LOWER DIE GEOMETRY	1688-my
-		UPDATED MODEL	
A	5/27/16	INITIAL RELEASE	1688-bt
B	1/25/19	ADDED VIEW A-A	1688-mm
C	2/20/25	ADDED P/N & REV MARKINGS	2728-mm, tr

CUSTOMER DRAWING

DIMENSIONS FOR REFERENCE ONLY

THIRD ANGLE PROJECTION



METRIC/mm

USCONEC Hickory, NC
800-769-0944
www.usconec.com

TITLE
COMPRESSION DIE SET, 900 MICRON

SIZE B	S&M Part No.: 15621	DWG NO. C15621	REV C
SCALE N.T.S.	Drafter M. McCROSKEY	Date: 2/20/2014	SHEET 1 OF 1

8 7 6 5 4 3 2 1