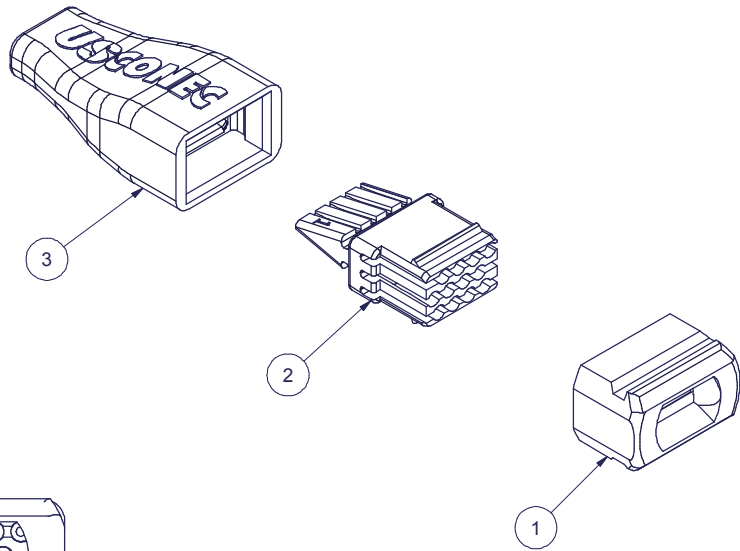
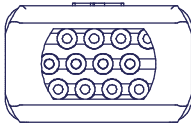
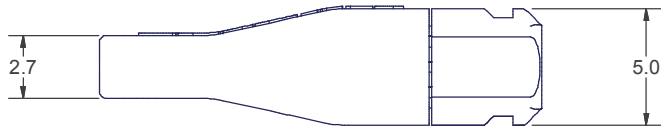
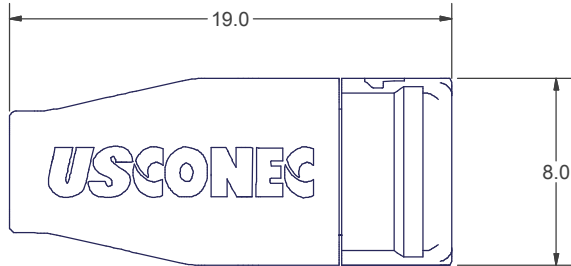


Parts List			
ITEM	QTY	PART NUMBER	DESCRIPTION
1	1	14872	LOCK, 900µm
2	1	14869	TRANSITION, 900µm
3	1	15159	BOOT, TRANSITION, 900um CONN.



**ASSEMBLED VIEWS**

**USCONEC LTD. PROPRIETARY**  
 THIS DOCUMENT AND THE ASSOCIATED DATA CONTAIN RESTRICTED INFORMATION THAT IS USCONEC LTD. PROPERTY. DISCLOSE OR DUPLICATE FOR OTHERS ONLY AS AUTHORIZED BY USCONEC LTD.

**Material:**

REV	DATE	DESCRIPTION	ECN
X1	4/19/13	-	01542
X2	3/20/14	REVISED VIEWS TO SHOW LOGO	1542-my
A	4/21/14	INITIAL RELEASE	1542-mm
---	4/22/14	REMOVED 'CONNECTOR' FROM TITLE	1542-mm

**CUSTOMER DRAWING**

DIMENSIONS FOR REFERENCE ONLY

THIRD ANGLE PROJECTION

**METRIC/mm**

▲ DENOTES CRITICAL DIMENSION

Hickory, NC  
800-769-0944  
[www.usconec.com](http://www.usconec.com)

**USCONEC**

TITLE: **KIT, 900µm to RIBBON**

SIZE	S&M Part No.:	DWG NO.	REV
<b>B</b>	15323	<b>C15323</b>	<b>A</b>
SCALE	Drafter	Date:	SHEET
N.T.S.	G. WOLF	4/19/2013	1 OF 1